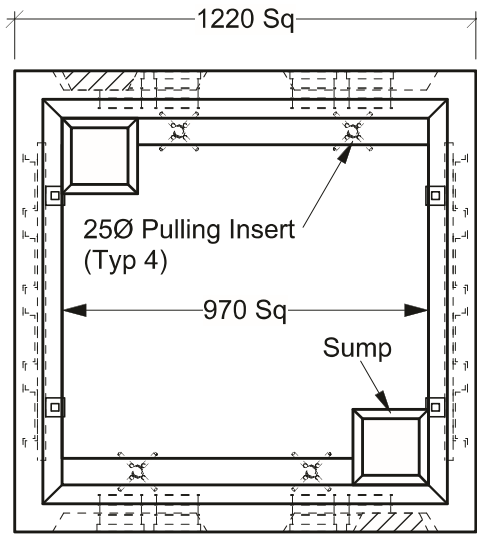
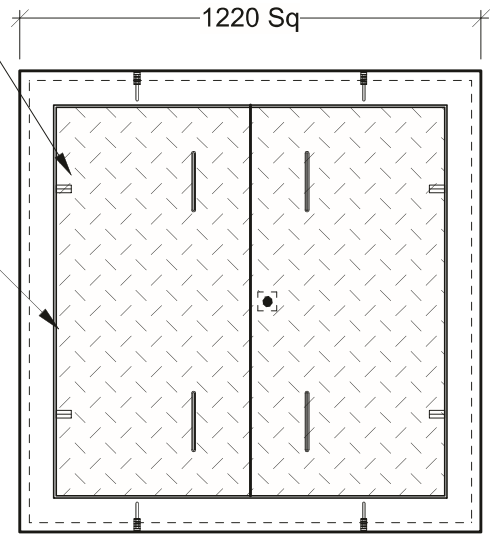


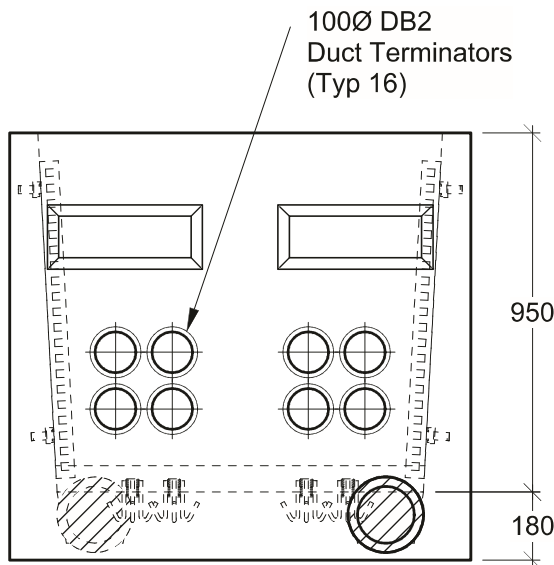
Painted Black, Boltdown, Steel Checker Plate Lids  
**Options:** Galvanizing, Padlock Recess  
 Remote Reader Holes  
 Weld Marking e.g. "ELEC"



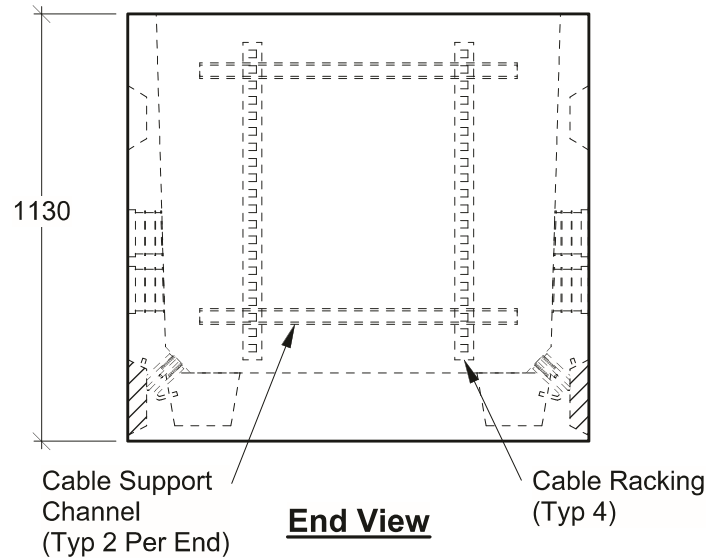
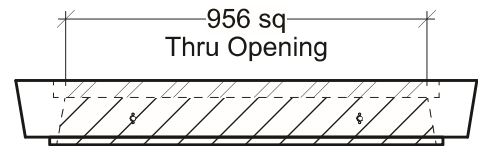
**Plan View - Vault**



**Plan View - Collar**



**Side View**



**End View**

**General Notes:**

- Product manufactured in accordance with CSA A23.4
- Lift Points Provided (See Shop Drawing for Quantity & Locations)
- Designed for Boulevard (Off-Road) Use - H-20 Static Loading
- Steel Products manufactured under CSA W47.1 in accordance to CSA W59
- Site Installation, Backfilling & Suitability for Use is the responsibility of others



19060 - 54th Avenue  
 Surrey, B.C. V3S 8E5

Tel (604) 576-1808  
 info@aeconcrete.com

**1.2m Comm Vault & Collar - Duct Terminators**

Vault: 3,710 lbs / 1,690 kgs  
 Collar: 720 lbs / 330 kgs

Scale: 1:20 mm

Rev: 28Jun08

Dwg#: **SVTZ-NI-1200-C**