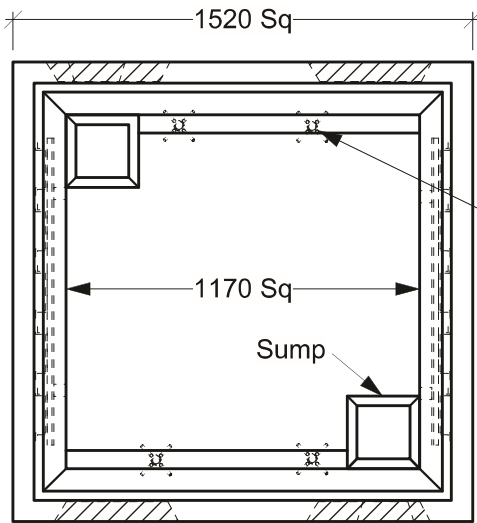
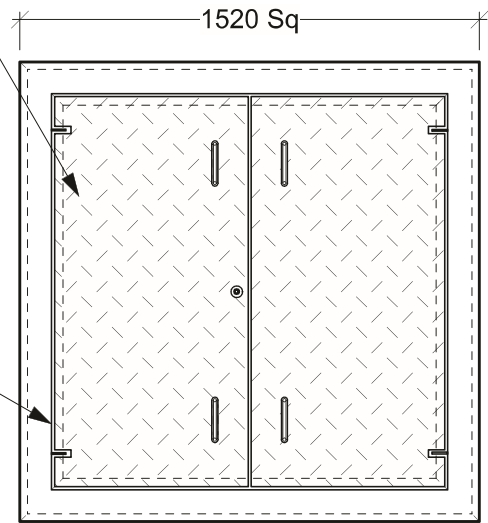


Painted Black, Boltdown, Steel Checker Plate Lids

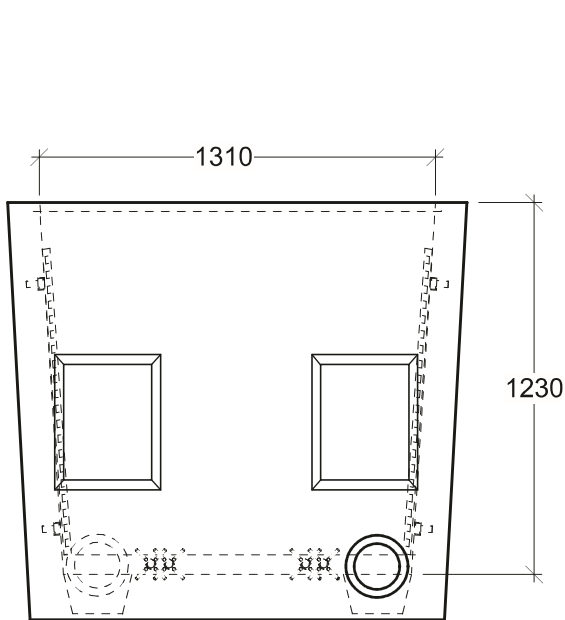
**Options:** Galvanizing, Padlock Recess  
Remote Reader Holes  
Weld Marking e.g. "ELEC"



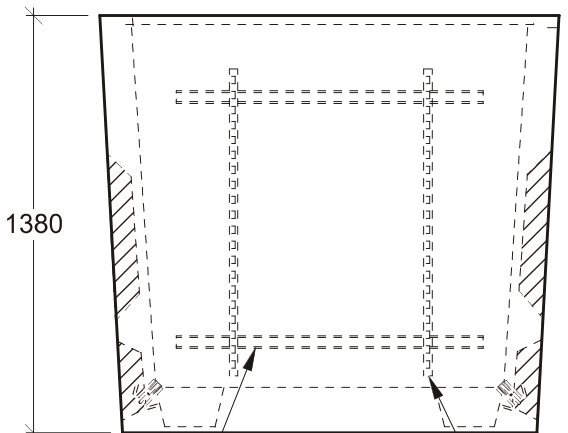
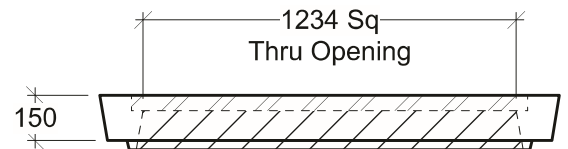
**Plan View - Vault**



**Plan View - Collar**



**Side View**



Cable Support  
Channel  
(Typ 2 Per End)

**End View**

Cable Racking  
(Typ 4)

**General Notes:**

- Product manufactured in accordance with CSA A23.4
- Lift Points Provided (See Shop Drawing for Quantity & Locations)
- Designed for Boulevard (Off-Road) Use - H-20 Static Loading
- Steel Products manufactured under CSA W47.1 in accordance to CSA W59
- Site Installation, Backfilling & Suitability for Use is the responsibility of others



19060 - 54th Avenue  
Surrey, B.C. V3S 8E5

Tel (604) 576-1808  
info@aeconcrete.com

**1.5m Comm Vault & Collar - K/O**

Vault: 5,500 lbs / 2,500 kgs  
Collar: 930 lbs / 430 kgs

Scale: 1:25 mm

Rev: 28Jun08

Dwg#: **SVTZ-N0-1500-C**