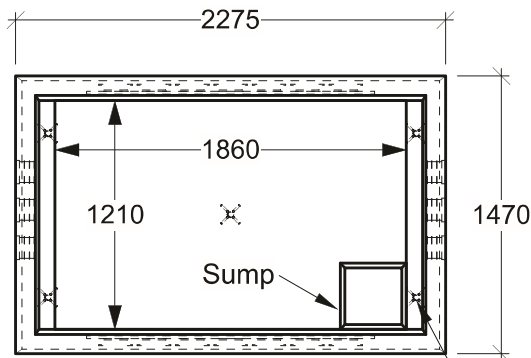
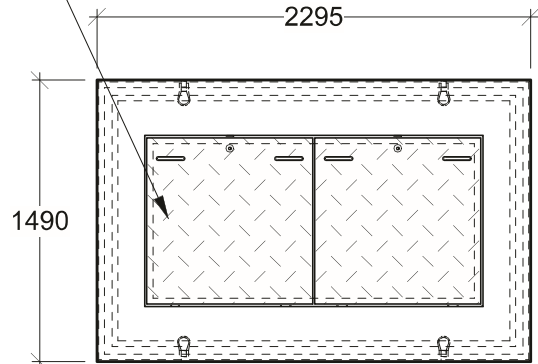


Painted Black, Bolt-down, Steel Checker Plate Lids
Options: Galvanizing, Padlock Recess
 Remote Reader Holes
 Weld Marking e.g. "ELEC"

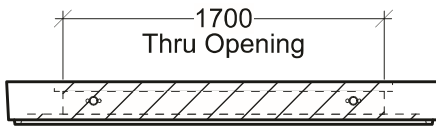


Plan View - Vault

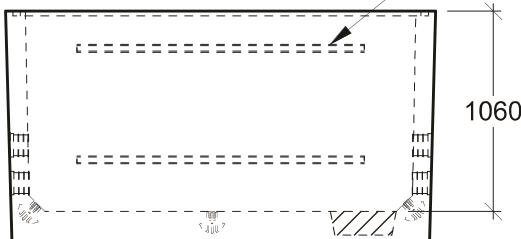
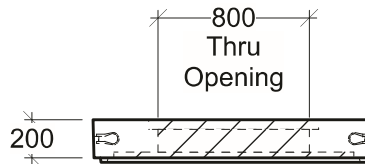


Plan View - Collar

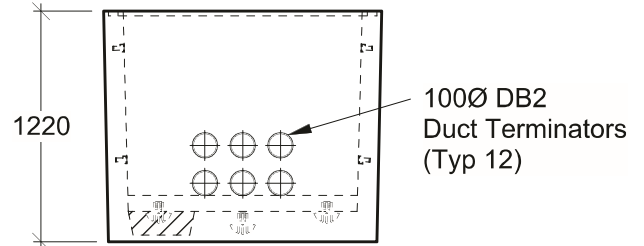
25Ø Pulling Insert
(Typ 4)



Cable Support Channel



Side View



End View

100Ø DB2
Duct Terminators
(Typ 12)

General Notes:

- Product manufactured in accordance with CSA A23.4
- Lift Points Provided (See Shop Drawing for Quantity & Locations)
- Designed for Boulevard (Off-Road) Use - H-20 Static Loading
- Steel Products manufactured under CSA W47.1 in accordance to CSA W59
- Site Installation, Backfilling & Suitability for Use is the responsibility of others



19060 - 54th Avenue
Surrey, B.C. V3S 8E5

Tel (604) 576-1808
info@aeconcrete.com

2121 Comm Vault & Collar - Duct Terminators

Vault: 6,850 lbs / 3,110 kgs
Collar: 2,370 lbs / 1,080 kgs

Scale: 1:40 mm

Rev: 28Jun08

Dwg#: **VC21-NI-2121-C**