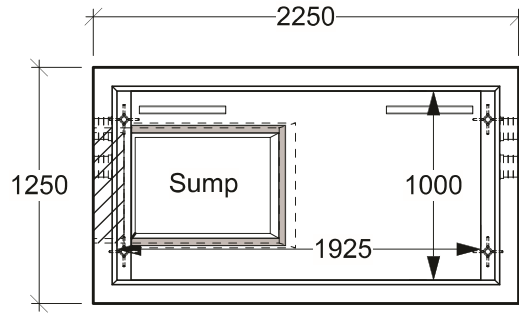
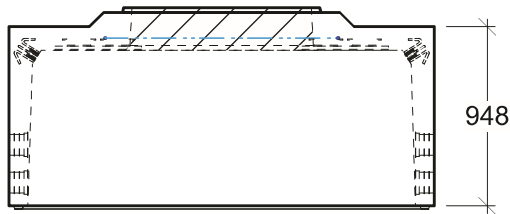


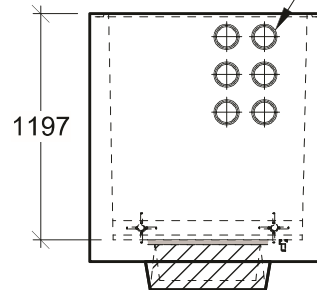
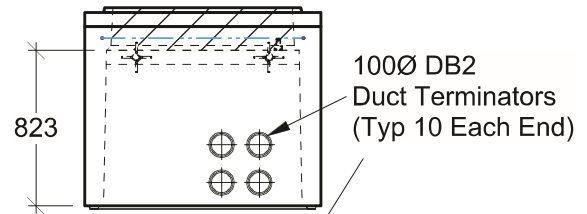
Plan View - Top



Plan View - Bottom



Side View



End View

General Notes:

- Product manufactured in accordance with CSA A23.4
- Lift Points Provided (See Shop Drawing for Quantity & Locations)
- Designed for Roadway Use - H-20 Traffic Loading
- Site Installation, Backfilling & Suitability for Use is the responsibility of others



19060 - 54th Avenue
Surrey, B.C. V3S 8E5

Tel (604) 576-1808
info@aeconcrete.com

2102 Chamber PLMH TELUS

Top: 5,840 lbs / 2,650 kgs
Btm: 6,770 lbs / 3,070 kgs

Scale: 1:40 mm

Rev: 28Jun08

Dwg#: **VC21-NH-2102-C**