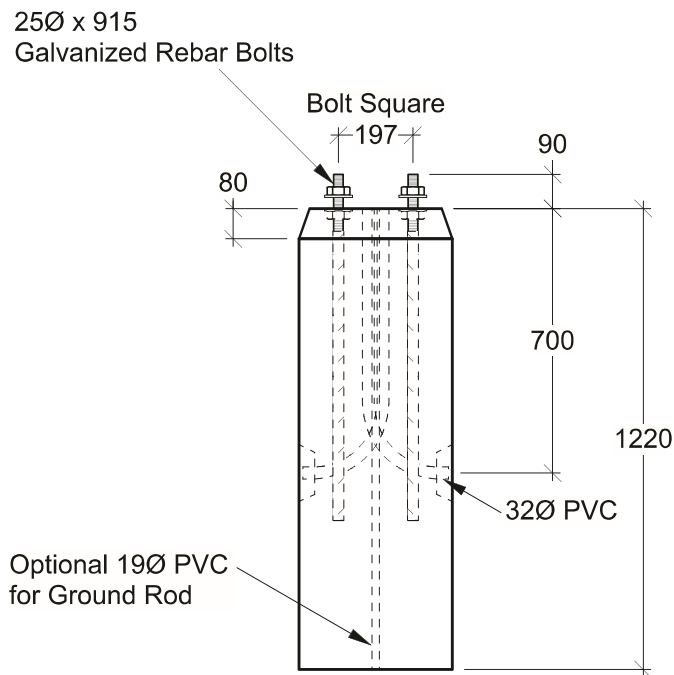


**Plan View**



**Side View**

**General Notes:**

- Product manufactured in accordance with CSA A23.4
- Lift Points Provided (See Shop Drawing for Quantity & Locations)
- Site Installation, Backfilling, Suitability for Use and Engineering Design Approval is the responsibility of others

**Customizations Available:**

- Bolt Size & Type
- Bolt Square (247 max)
- BCD (350 max)
- Duct Size
- Duct Quantity
- Duct Orientation
- Reinforcing



19060 - 54th Avenue  
Surrey, B.C. V3S 8E5

Tel (604) 576-1808  
info@aeconcrete.com

**405 x 405 x 1220 High Square Base**

Base: 1,110 lbs / 510 kgs

Scale: 1:20 mm

Rev: 22Jul13

Dwg#: **SS40-25-R197-3Z2Z-C**