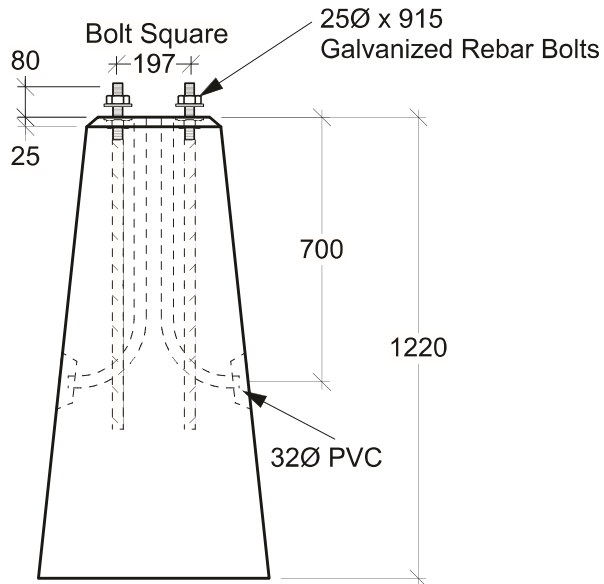


Plan View



Side View

General Notes:

- Product manufactured in accordance with CSA A23.4
- Lift Points Provided (See Shop Drawing for Quantity & Locations)
- Site Installation, Backfilling, Suitability for Use and Engineering Design Approval is the responsibility of others

Customizations Available:

- Bolt Size & Type
- Bolt Square (208 max)
- BCD (295 max)
- Duct Size
- Duct Quantity
- Duct Orientation
- Reinforcing



19060 - 54th Avenue
Surrey, B.C. V3S 8E5

Tel (604) 576-1808
info@aeconcrete.com

Pyramid Base

Base: 1,600 lbs / 730 kgs

Scale: 1:20 mm

Rev: 19Jul13

Dwg#: **SPC2-25-R197-3ZZZ-C**