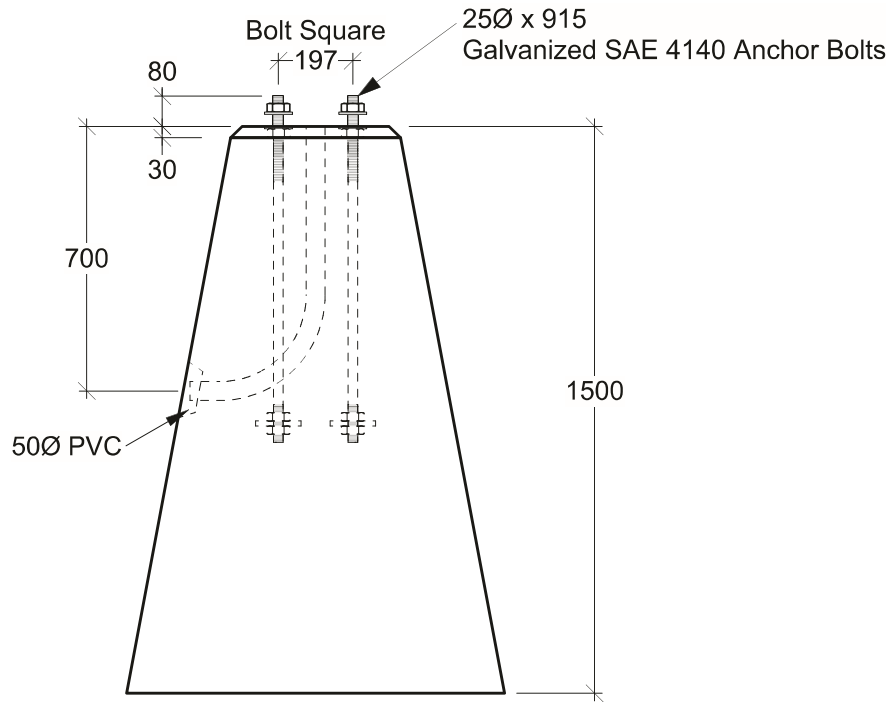


Plan View



Side View

Customizations Available:

- Bolt Size & Type
- Bolt Square (283 max)
- BCD (400 max)
- Duct Size
- Duct Quantity
- Duct Orientation
- Reinforcing

General Notes:

- Product manufactured in accordance with CSA A23.4
- Lift Points Provided (See Shop Drawing for Quantity & Locations)
- Site Installation, Backfilling, Suitability for Use and Engineering Design Approval is the responsibility of others



19060 - 54th Avenue
Surrey, B.C. V3S 8E5

Tel (604) 576-1808
info@aeconcrete.com

MoT Type C Pyramid Base

(MoTH Dwg# SP635-1.1.3)

Base: 4,540 lbs / 2,060 kgs

Scale: 1:20 mm

Rev: 03Feb09

Dwg#: **SPC0-25-F197-5Z1Z-C**