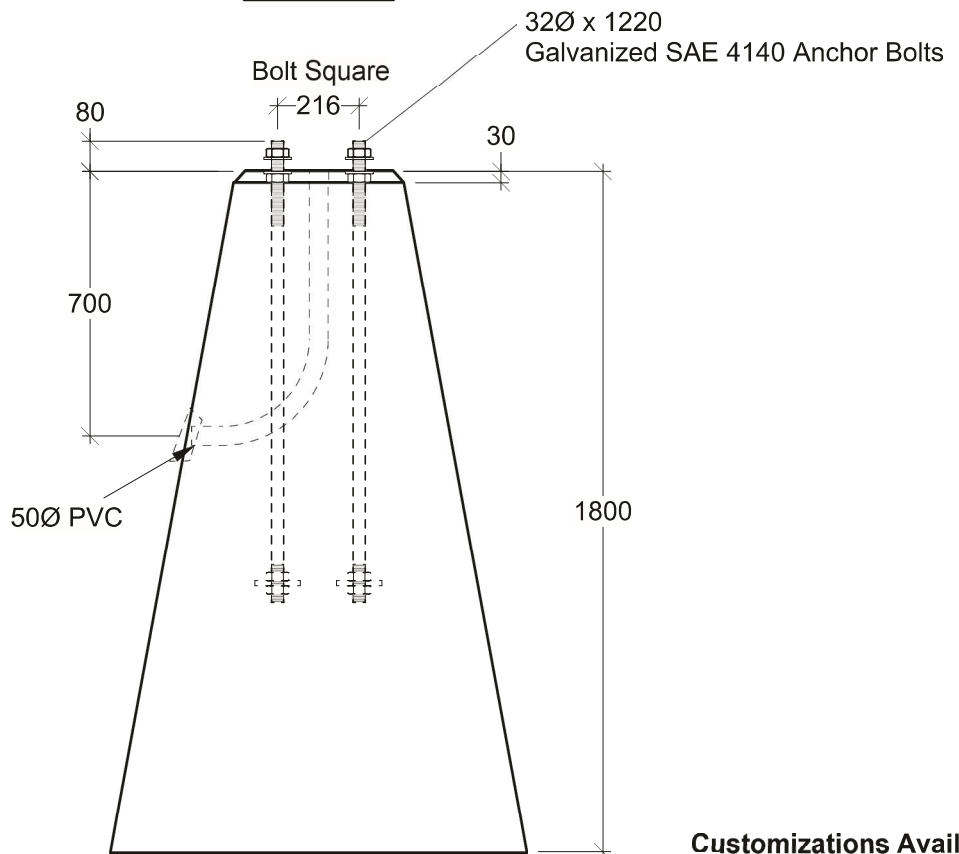


**Plan View**



**Side View**

**Customizations Available:**

- Bolt Size & Type
- Bolt Square (283 max)
- BCD (400 max)
- Duct Size
- Duct Quantity
- Duct Orientation
- Reinforcing

**General Notes:**

- Product manufactured in accordance with CSA A23.4
- Lift Points Provided (See Shop Drawing for Quantity & Locations)
- Site Installation, Backfilling, Suitability for Use and Engineering Design Approval is the responsibility of others



19060 - 54th Avenue  
Surrey, B.C. V3S 8E5

Tel (604) 576-1808  
info@aeconcrete.com

**MoT Type D2 Pyramid Base**

(MoTH Dwg# SP635-1.1.7)

Base: 6,300 lbs / 2,860 kgs

Scale: 1:20 mm

Rev: 22Jul13

Dwg#: **SPD2-32-F216-5Z1Z-C**