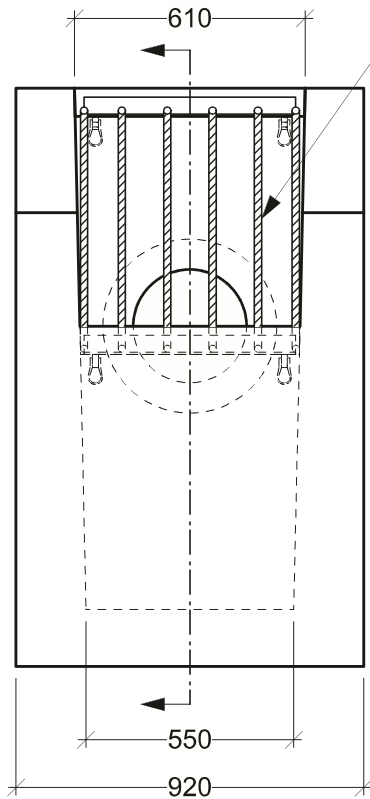
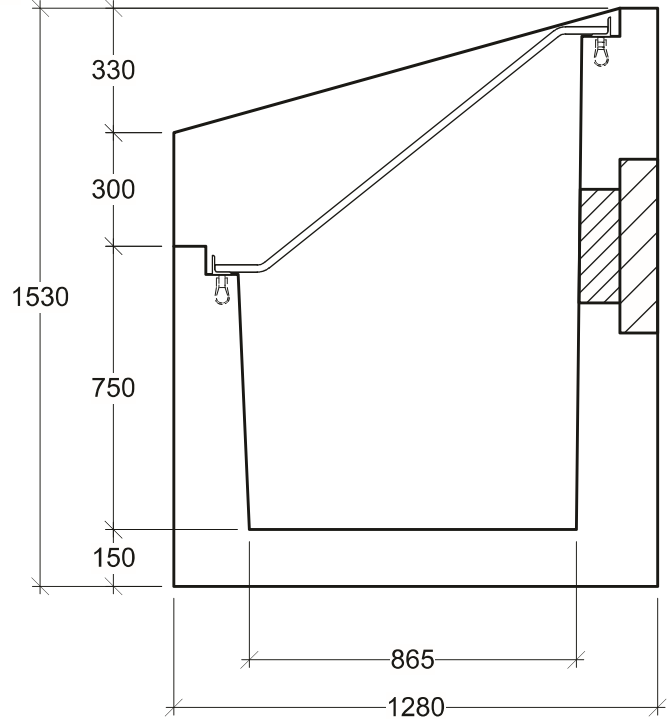


**Plan View**



**Front View**

Galvanized  
Grillage



**Section**

**General Notes:**

- Product manufactured in accordance with CSA A23.4
- Custom Pipe Openings Available
- Lift Points Provided (See Shop Drawing for Quantity & Locations)
- Steel Products manufactured under CSA W47.1 in accordance to CSA W59
- Site Installation, Backfilling & Suitability for Use is the responsibility of others



19060 - 54th Avenue  
Surrey, B.C. V3S 8E5

Tel (604) 576-1808  
info@aeconcrete.com

**Highways 16-SP219 Inlet**

(For up to 450mmØ RCP / 2003 MoT Dwg# SP582-04.01 Inlet)

Headwall: 4,860 lbs / 2,210 kgs

Scale: 1:20 mm

Rev: 28Jul08

Dwg#: **HDSP-21-ZZZZ-C**