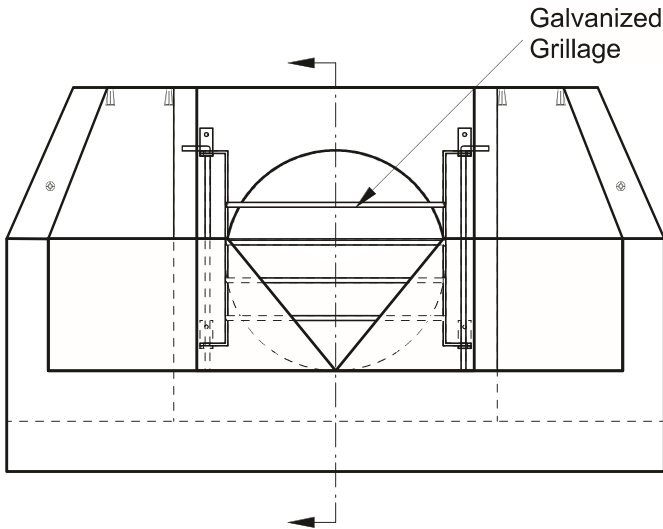
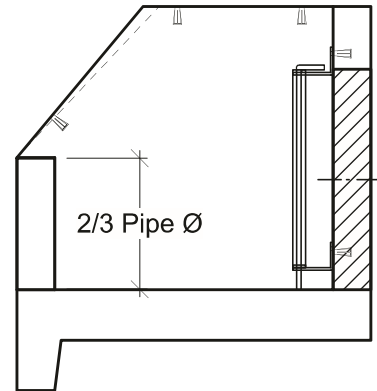


Plan View



Front View



Section

General Notes:

- Product manufactured in accordance with CSA A23.4
- Custom Pipe Openings Available
- Lift Points Provided (See Shop Drawing for Quantity & Locations)
- Steel Products manufactured under CSA W47.1 in accordance to CSA W59
- Site Installation, Backfilling & Suitability for Use is the responsibility of others



19060 - 54th Avenue
Surrey, B.C. V3S 8E5

Tel (604) 576-1808
info@aeconcrete.com

Custom V-Notch Weir Outfall Dissipator

(11-13, 14-15, 16-20)

Scale: 1:30 mm

Rev: 28Jun08

Dwg#: **HDOT-02-DISS-C**