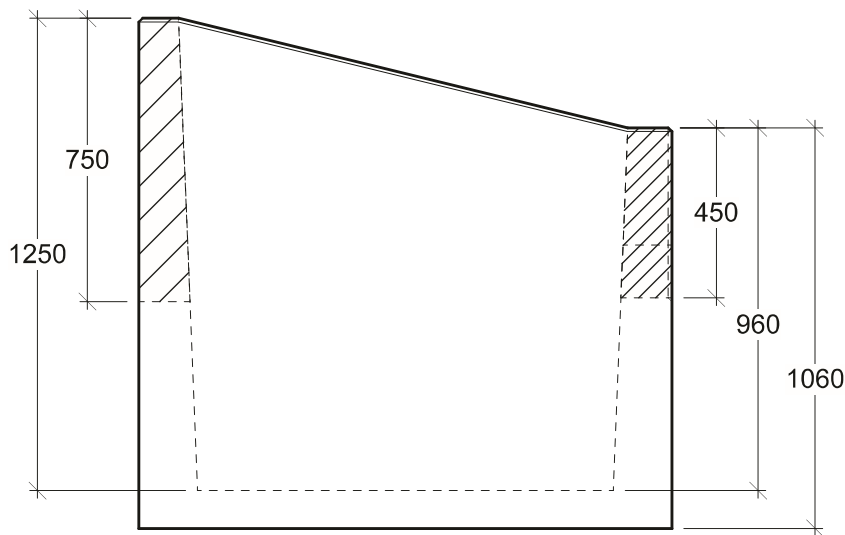
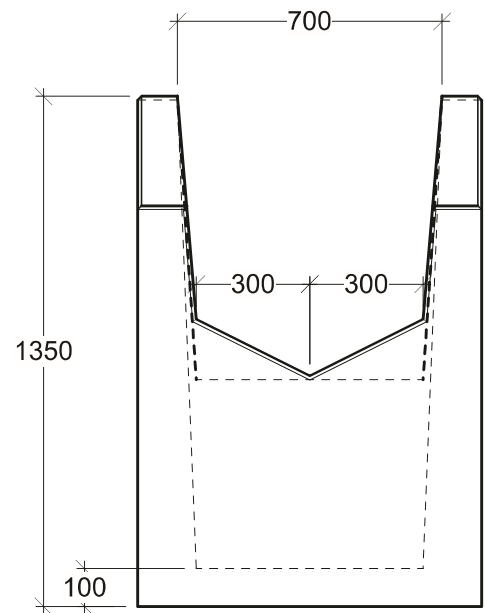


Plan View



Side View



End View

General Notes:

- Product manufactured in accordance with CSA A23.4
- Lift Points Provided (See Shop Drawing for Quantity & Locations)
- Site Installation, Backfilling & Suitability for Use is the responsibility of others



19060 - 54th Avenue
Surrey, B.C. V3S 8E5

Tel (604) 576-1808
info@aeconcrete.com

Fish Ladder

Sump: 2,950 lbs / 1,340 kgs

Scale: 1:20 mm

Rev: 21Jul14

Dwg#: **HD00-ZZ-FISH-C**