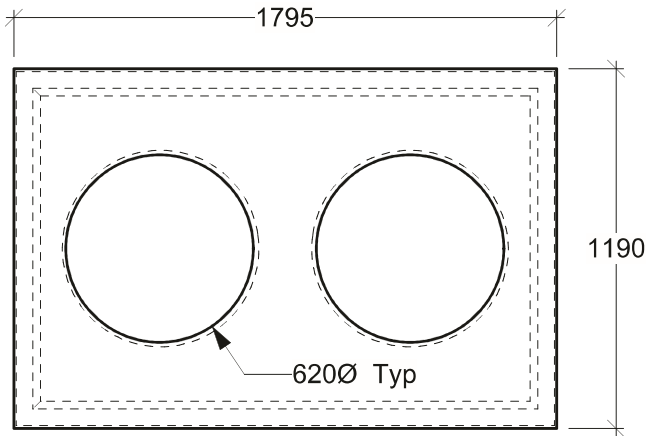
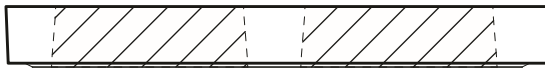


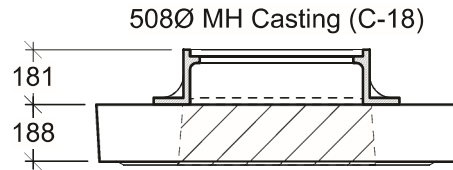
(A) H-20 Traffic Load Rated Lid



Plan View

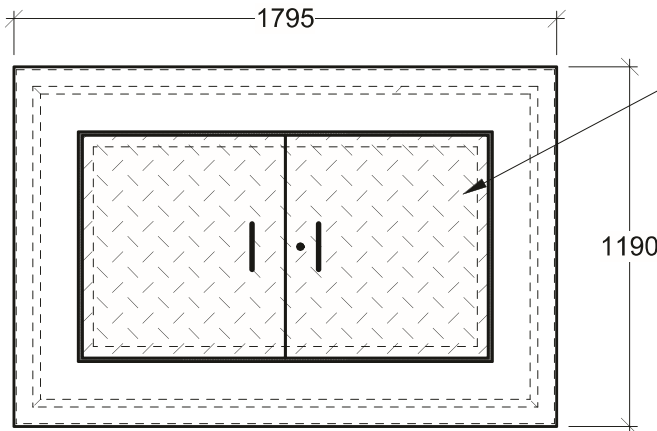


Side View



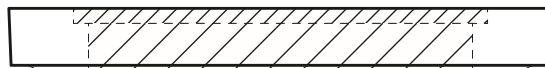
End View

(B) Boulevard Use - H-20 Static Load Rated Lid

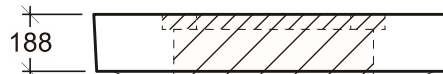


Plan View

Painted Black, Boltdown, Steel Checker Plate Lids
Options: Galvanizing, Padlock Recess
 Remote Reader Holes
 Weld Marking e.g. "ELEC"



Side View



End View

General Notes:

- Product manufactured in accordance with CSA A23.4
- Lift Points Provided (See Shop Drawing for Quantity & Locations)
- Site Installation, Backfilling & Suitability for Use is the responsibility of others



19060 - 54th Avenue
 Surrey, B.C. V3S 8E5

Tel (604) 576-1808
 info@aeconcrete.com

2454 / 355 Lid Assemblies

Roof Slab: 1,620 lbs / 740 kgs
 Roof Slab w/ Hatch: 1,580 lbs / 720 kgs

Scale: 1:25 mm

Rev: 10Mar09

Dwg#: **350I-A0-1500-C**