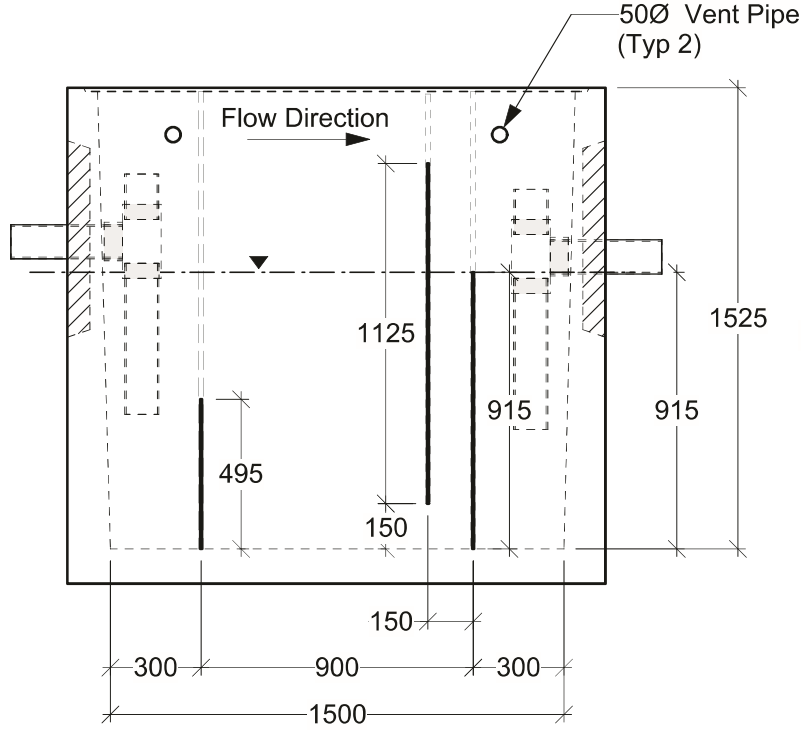
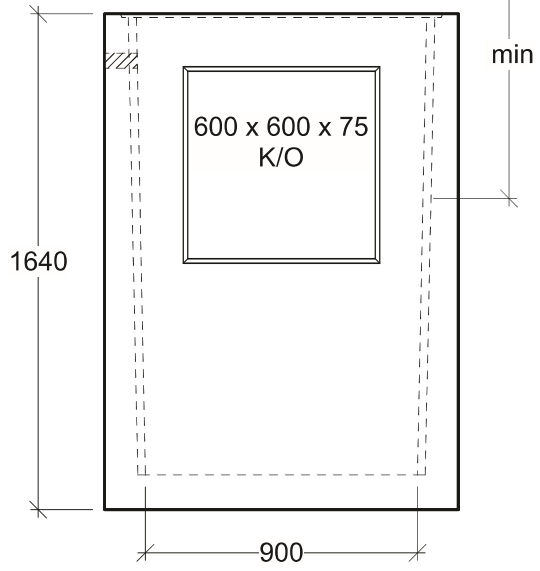


**Plan View**



**Side View**

Typical Minimum Depth from Grade to Outlet Invert  
 · with MH Castings = 980 mm  
 · with Steel Lid = 800 mm



**End View**

**General Notes:**

- Product manufactured in accordance with CSA A23.4
- Lift Points Provided (See Shop Drawing for Quantity & Locations)
- Designed for Roadway Use - H-20 Traffic Loading
- Installation of T-Pipe Assemblies Recommended - Installed by Others.
- Standard Mild Steel Baffles - Optional Galvanized Baffles
- Site Installation, Backfilling & Suitability for Use is the responsibility of others



**355 Oil Interceptor (API)**

19060 - 54th Avenue  
 Surrey, B.C. V3S 8E5  
 Tel (604) 576-1808  
 info@aeconcrete.com

Oil Int: 6,810 lbs / 3,100 kgs

Scale: 1:25 mm

Rev: 28Jun08

Dwg#: **350I-20-1500-C**