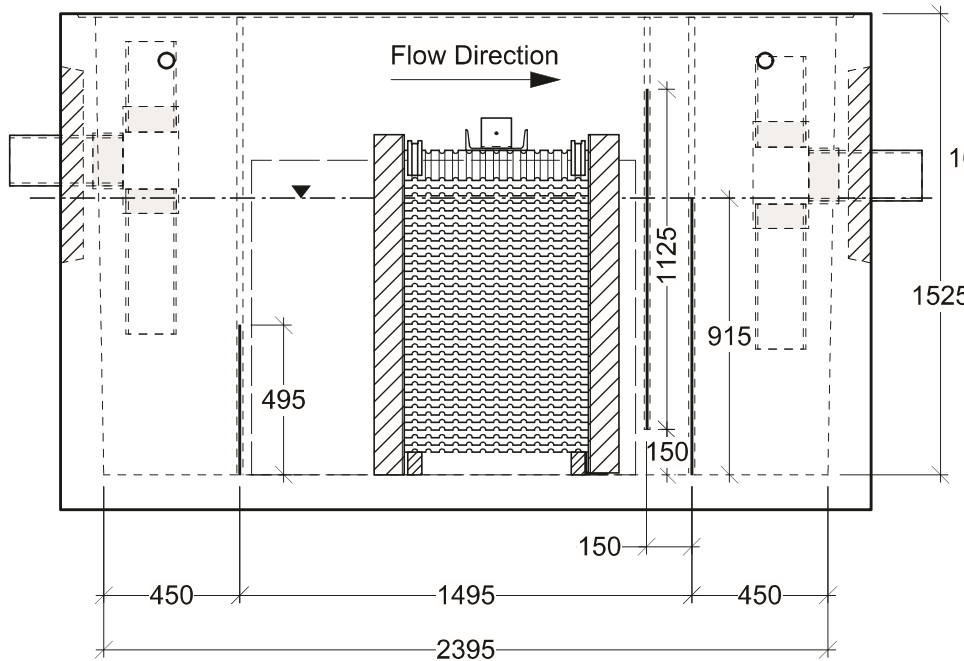


Plan View

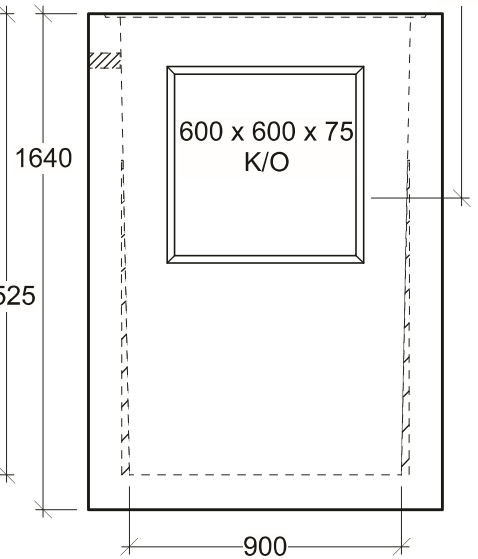
Typical Minimum Depth
from Grade to Outlet Invert ←

- with MH Castings = 980 mm
- with Steel Lid = 800 mm

min



Side View



End View

General Notes:

- Product manufactured in accordance with CSA A23.4
- Lift Points Provided (See Shop Drawing for Quantity & Locations)
- Designed for Roadway Use - H-20 Traffic Loading
- Installation of T-Pipe Assemblies Recommended - Installed by Others.
- Standard Mild Steel Baffles - Optional Galvanized Baffles
- Site Installation, Backfilling & Suitability for Use is the responsibility of others



19060 - 54th Avenue
Surrey, B.C. V3S 8E5

Tel (604) 576-1808
info@aeconcrete.com

385 Oil Separator (CPS)

Oil Sep: 9,460 lbs / 4,300 kgs

Scale: 1:25 mm

Rev: 28Jun08

Dwg#: **35OI-20-2400-CPS-C**