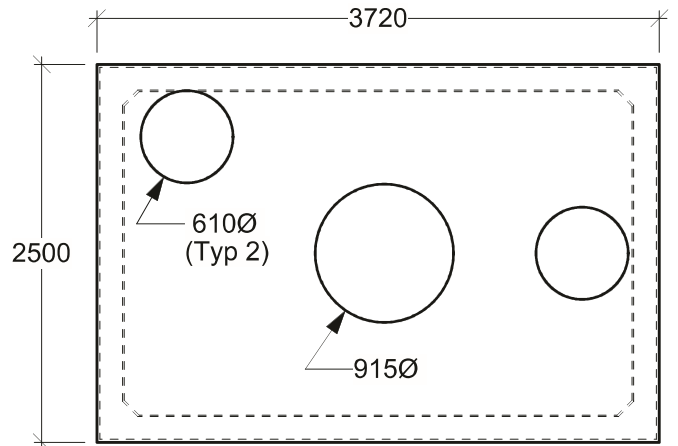
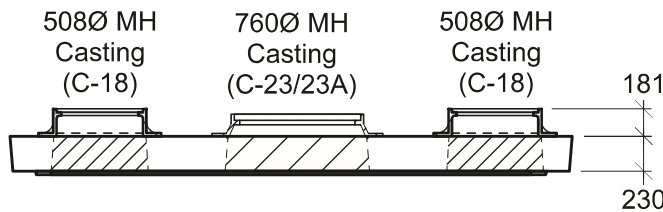


Plan View - Chamber

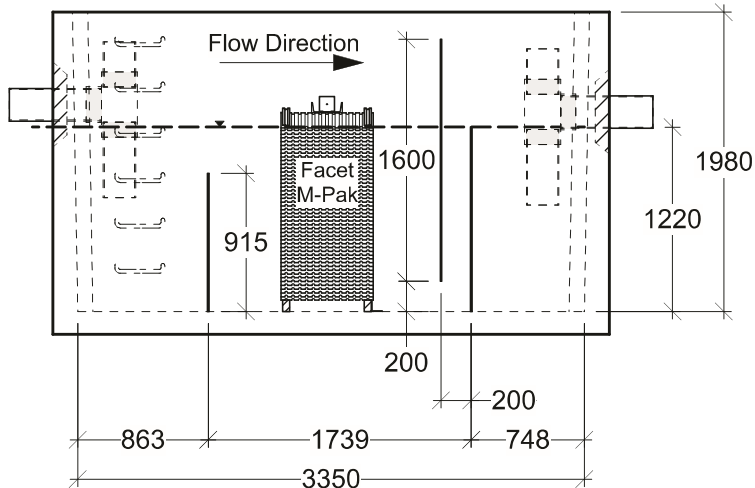
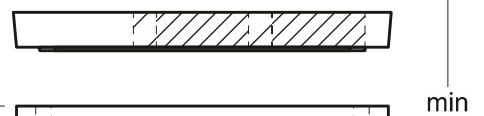


Plan View - Roof Slab

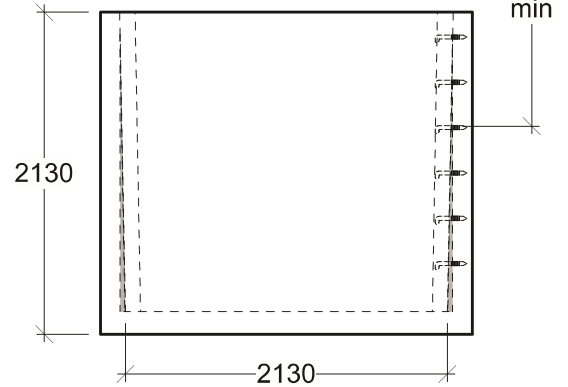
H-20 Traffic Load Rated



Typical Minimum Depth
from Grade to Outlet Invert
with MH Castings = 1170 mm



Side View



End View

General Notes:

- Product manufactured in accordance with CSA A23.4
- Lift Points Provided (See Shop Drawing for Quantity & Locations)
- Designed for Roadway Use - H-20 Traffic Loading
- Installation of T-Pipe Assemblies Recommended - Installed by Others
- Standard Mild Steel Baffles - Optional Galvanized Baffles
- Site Installation, Backfilling & Suitability for Use is the responsibility of others



19060 - 54th Avenue
Surrey, B.C. V3S 8E5

Tel (604) 576-1808
info@aeconcrete.com

332120 Meter Oil Separator (CPS)

Oil Sep: 37,720 lbs / 17,170 kgs

Scale: 1:50 mm

Rev: 28Jun08

Dwg#: **VCMC-OI-ZZZZ-CPS-C**