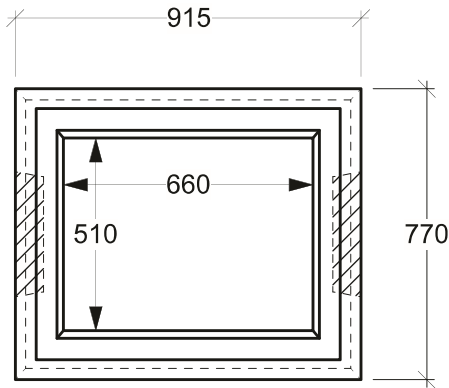
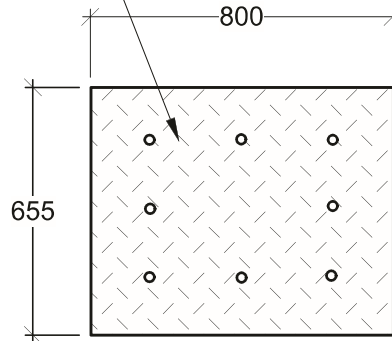


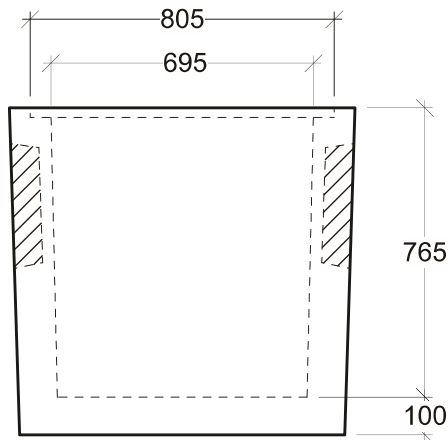
Painted Black, Steel Checker Plate Lids
Options: Galvanizing,
 25Ø Perforations



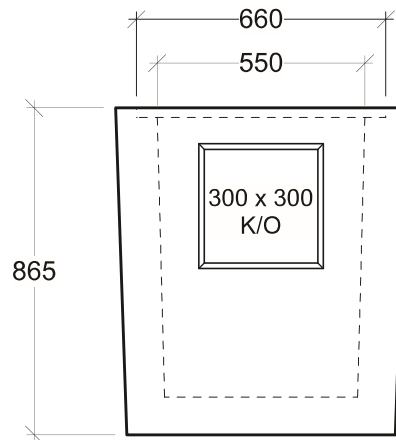
Plan View - Sump



Plan View - Cover



Side View



End View

General Notes:

- Product manufactured in accordance with CSA A23.4
- Lift Points Provided (See Shop Drawing for Quantity & Locations)
- Designed for Boulevard (Off-Road) Use - H-20 Static Loading
- Site Installation, Backfilling & Suitability for Use is the responsibility of others



19060 - 54th Avenue
 Surrey, B.C. V3S 8E5

Tel (604) 576-1808
 info@aeconcrete.com

Drainage Sump w/ Cover

Sump: 1,555 lbs / 710 kgs
 Cover: 125 lbs / 60 kgs

Scale: 1:20 mm

Rev: 28Jun08

Dwg#: **SVVZ-20-SUMP-C**