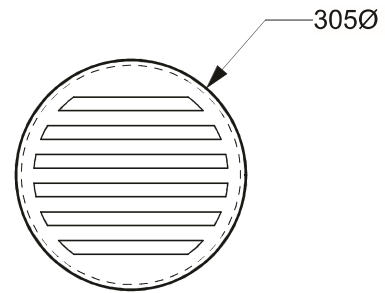
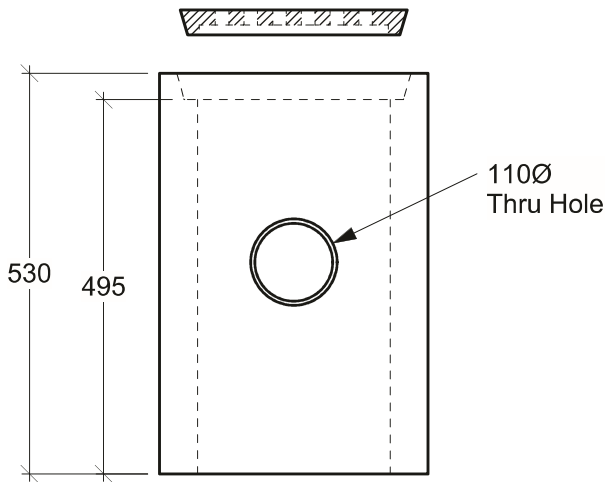


Plan View - Drain



Plan View - Grate
B2B Cast Iron Grate



Side View

General Notes:

- Product manufactured in accordance with CSA A23.4
- Site Installation, Backfilling & Suitability for Use is the responsibility of others
- Lift Points Provided (See Shop Drawing for Quantity & Locations)
- Designed for Boulevard (Off-Road) Use - H-20 Static Loading



19060 - 54th Avenue
Surrey, B.C. V3S 8E5

Tel (604) 576-1808
info@aeconcrete.com

255Ø Lawn Drain w/ 305Ø Cast Iron Grate

Drain: 130 lbs / 60 kgs
Grate: 8 lbs / 8 kgs
Total: 148 lbs / 68 kgs

Scale: 1:10 mm

Rev: 28Jun08

Dwg#: **LAWN-20-0255-C**