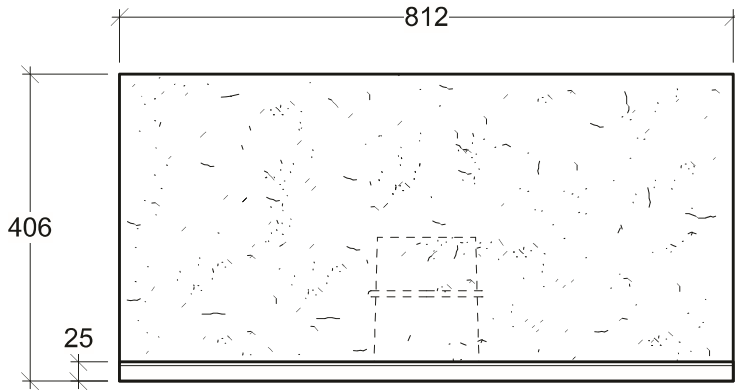
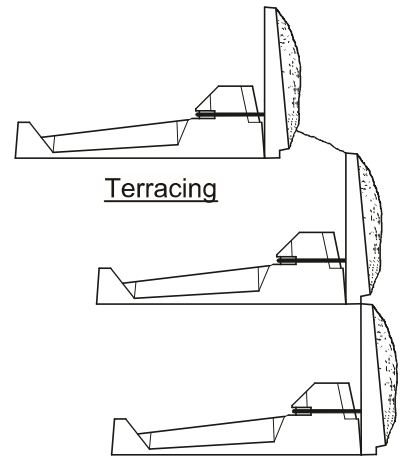


Plan View

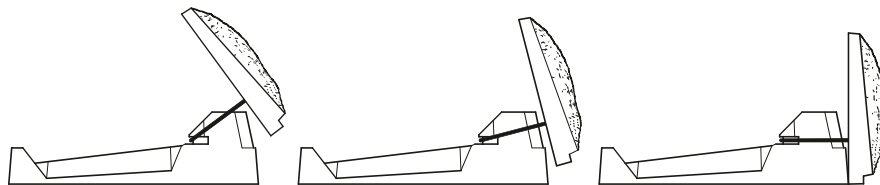


Front View



Terracing

Stacking Process



Panel & Counterfort Connection

Side View

Side View

General Notes:

- Products manufactured in accordance with CSA A23.4
- Site Installation, Backfilling & Suitability for Use is the responsibility of others.
- Custom wall design available upon request



19060 - 54th Avenue
Surrey, B.C. V3S 8E5

Tel (604) 576-1808
info@aeconcrete.com

Lock & Load Retaining Wall

Wall: 160 lbs / 73 kgs

Scale: 1:10 mm

Rev: 28Jun08

Dwg#: **LOCK & LOAD-1-C**