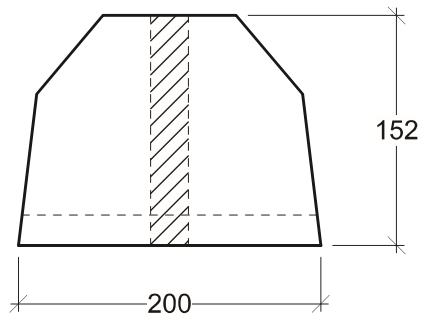


Plan View



Side View



End View.

Scale: 1:5

General Notes:

- Product manufactured in accordance with CSA A23.4
- Lift Points Provided (See Shop Drawing for Quantity & Locations)
- Anchor Pins are Available as a Separate Item
- Site Installation & Suitability for Use is the responsibility of others



19060 - 54th Avenue
Surrey, B.C. V3S 8E5

Tel (604) 576-1808
info@aeconcrete.com

2130mm (7 Foot) Curb Stop

Curb: 305 lbs / 140 kgs

Scale: 1:15 mm

Rev: 28Jun08

Dwg#: **OCCS-ZZ-0007-C**