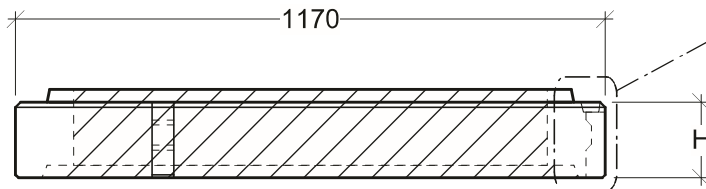
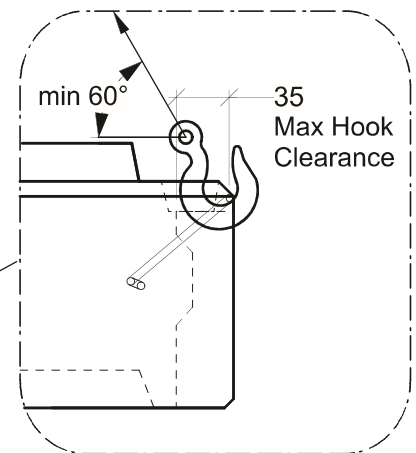


Plan View



Side View



General Notes:

- Product manufactured in accordance with CSA A23.4
- Site Installation, Backfilling & Suitability for Use is the responsibility of others
- Suitable for C23 / C23A Cast Iron Frame & Cover
- **Hook Size:** 10-8 (WLL= 3.15 T) Fits Recess
- **Maximum Lift:** 4 Risers w/ Lift Loops but lifting Voids Must align with 2nd Product otherwise Damage may Occur (min 1500 Rigging Length w/ 3 Lifter Bridle)
- Risers to be Set using Non-Shrink Grout by Others



19060 - 54th Avenue
Surrey, B.C. V3S 8E5

Tel (604) 576-1808
info@aeconcrete.com

Riser Rings 915Ø

H = 100 (4"): 200 lbs / 95 kgs, 12 / Pallet
 H = 127 (5"): 250 lbs / 115 kgs, 10 / Pallet
 H = 152 (6"): 300 lbs / 140 kgs, 8 / Pallet

Scale: 1:15 mm

Rev: 02Dec16

Dwg#: **SVTZ-41-01ZZ-C**