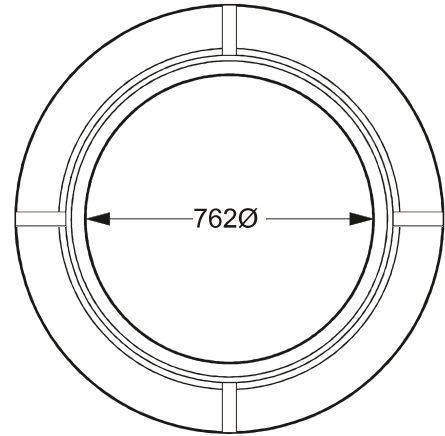
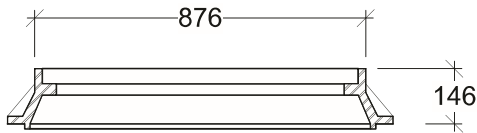


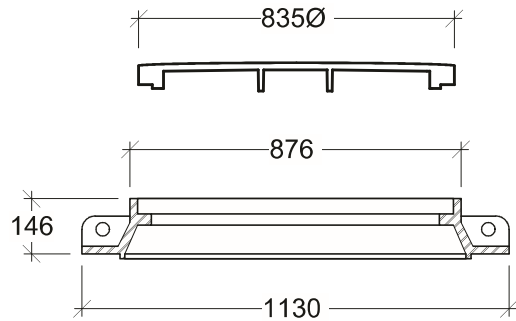
Plan View - Square Frame



Plan View - Round Frame



Section



Section

General Notes:

- Suitable for installation in roadways
- Site installation is the responsibility of others
- Custom marking of cover available (Electrical, Water, etc.)
- Available in Ductile Iron



19060 - 54th Avenue
Surrey, B.C. V3S 8E5

Tel (604) 576-1808
info@aeconcrete.com

C23 Cast Iron Manhole Frame and Cover

Frame: 340 lbs / 154 kgs
Cover: 240 lbs / 109 kgs

Scale: 1:20 mm

Rev: 28Jun08

Dwg#: **MHFC-97-0760-C**