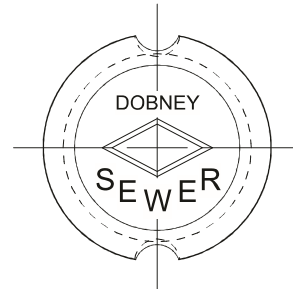
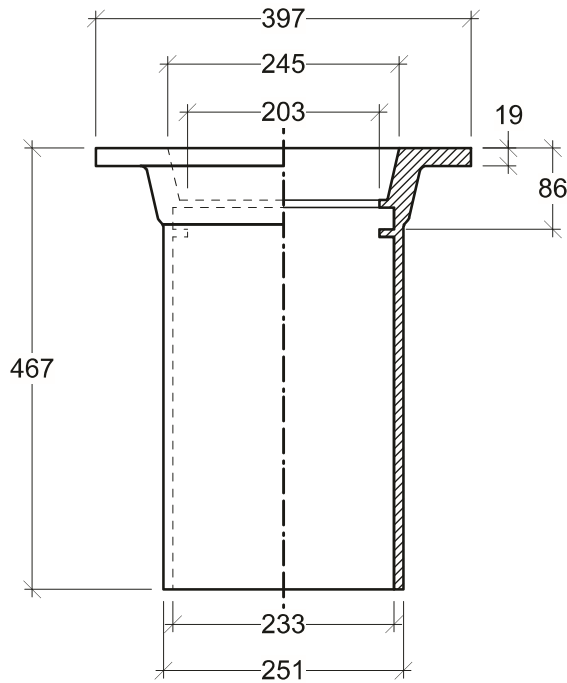


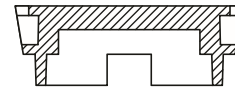
Plan - Valve Box



Plan - Lid



Elevation / Section



Section

H-20 Traffic Load Rated

Option: Boltdown Lid

Lid Marking: "SEWER" or "WATER"



19060 - 54th Avenue
Surrey, B.C. V3S 8E5

Tel (604) 576-1808
info@aeconcrete.com

MR-8 Valve Box

Box: 125 lbs / 57 kgs

Scale: NTS

Rev: 20Jan09

Dwg#: **MHFR-93-MR8-C**