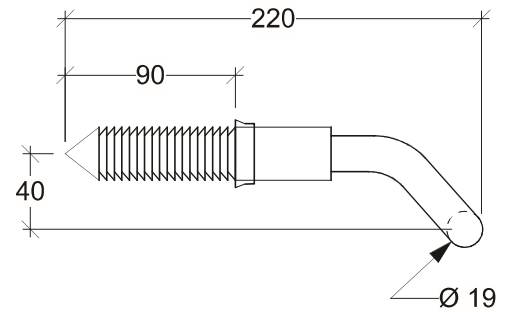


Plan



Front View



Side View



19060 - 54th Avenue
Surrey, B.C. V3S 8E5

Tel (604) 576-1808
info@aeconcrete.com

Aluminum Ladder Rung

Rung: 0.75 lbs / 0.4 kgs

Scale: 1:4 mm

Rev: 28Jun08

Dwg#: **VCLA-19AL-RUNG-C**