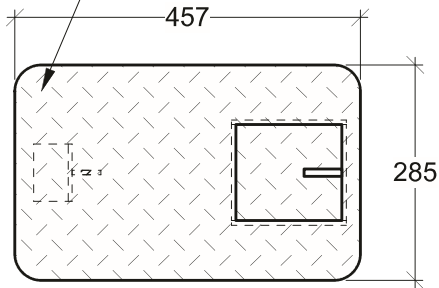
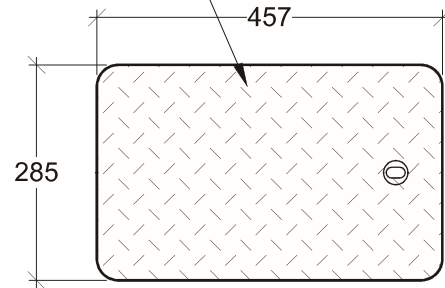


Painted Black, Bolt-down, Steel Checker Plate Lids

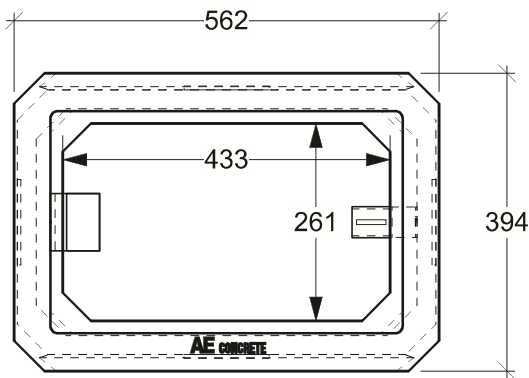
Options: Galvanizing, Padlock Recess
Remote Reader Holes
Weld Marking e.g. "ELEC"



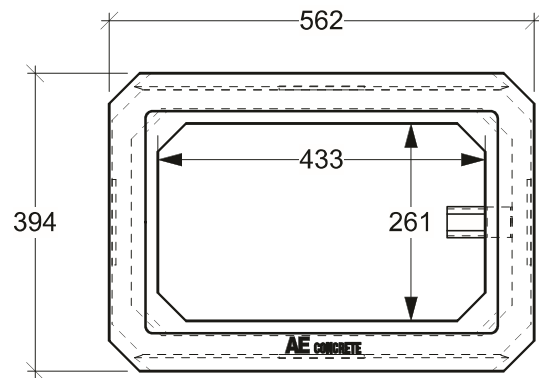
Plan View
Steel Lid



Plan View
Steel Lid

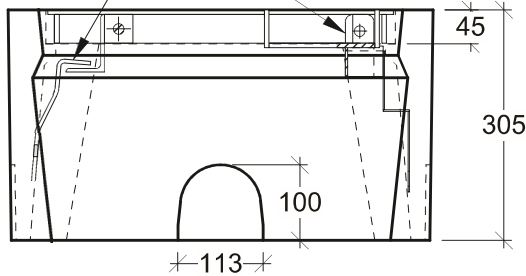


Plan View



Plan View

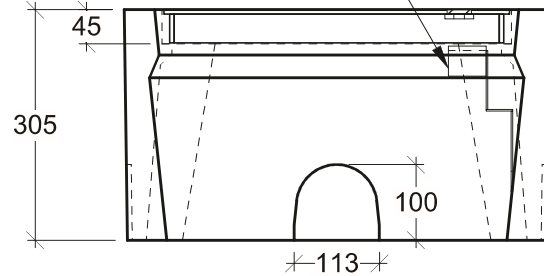
2 Brackets for Padlock Recess



Side View

Padlock Recess

1 Bracket for Bolt-Down



Side View

Bolt Down

General Notes:

- Products manufactured in accordance with CSA A23.4
- Designed for Boulevard (Off-Road) Use - H-20 Static Loading
- Steel Products manufactured under CSA W47.1 in accordance to CSA W59
- Site Installation, Backfilling & Suitability for Use is the responsibility of others.



19060 - 54th Avenue
Surrey, B.C. V3S 8E5

Tel (604) 576-1808
info@aeconcrete.com

B937 Box w/ Tamper Proof Lid Options

Lid: 20 lbs / 10 kgs
Box: 105 lbs / 50 kgs
Total: 125 lbs / 60 kgs

Scale: 1:10 mm

Rev: 28Jun08

Dwg#: **B937-N3-LREC-C**