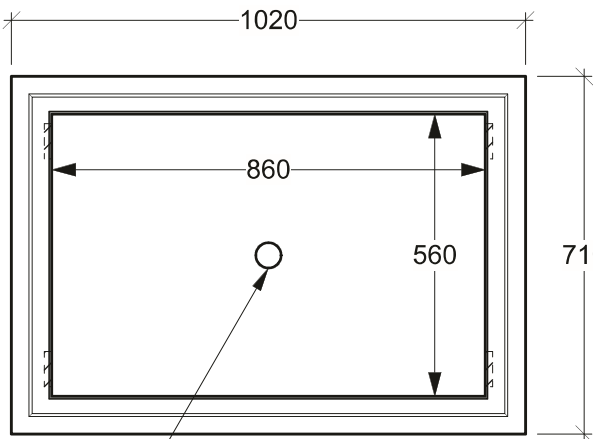
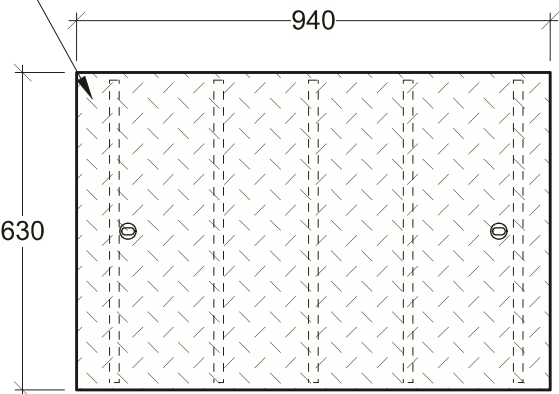


Painted Black, Boltdown, Steel Checker Plate Lids
Options: Galvanizing, Padlock Recess
 Remote Reader Holes
 Weld Marking e.g. "ELEC"

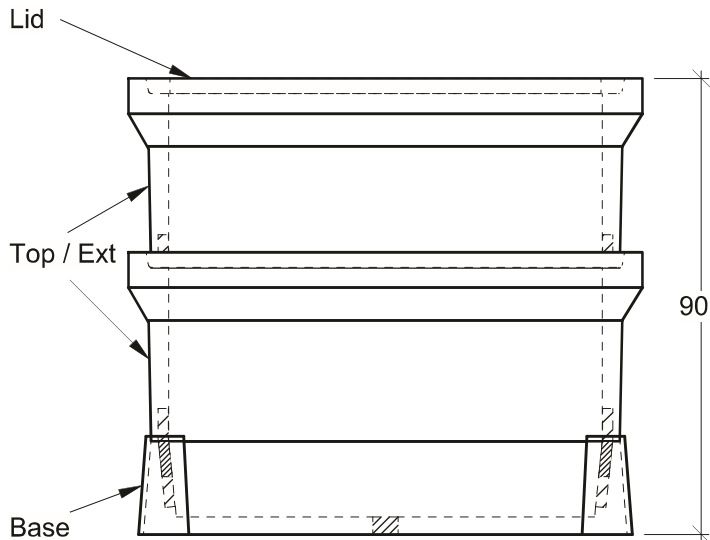


50Ø Drain Hole
 in Center

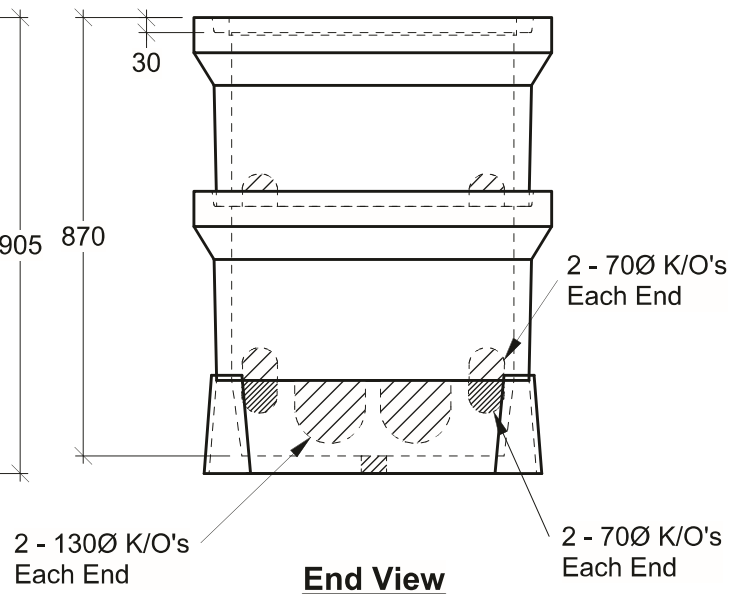
Plan View



Plan View - Lid



Side View



End View

General Notes:

- Products manufactured in accordance with CSA A23.4
- Designed for Boulevard (Off-Road) Use - H-20 Static Loading
- Steel Products manufactured under CSA W47.1 in accordance to CSA W59
- Site Installation, Backfilling & Suitability for Use is the responsibility of others.



19060 - 54th Avenue
 Surrey, B.C. V3S 8E5

Tel (604) 576-1808
 info@aeconcrete.com

5686 Service Box - Complete

Lid: 100 lbs / 45 kgs
 Top/Ext: 195 lbs / 90 kgs
 Base: 175 lbs / 80 kgs Total: 665 lbs / 305 kgs

Scale: 1:15 mm

Rev: 28Jun08

Dwg#: **5686-N3-ZZZZ-C**