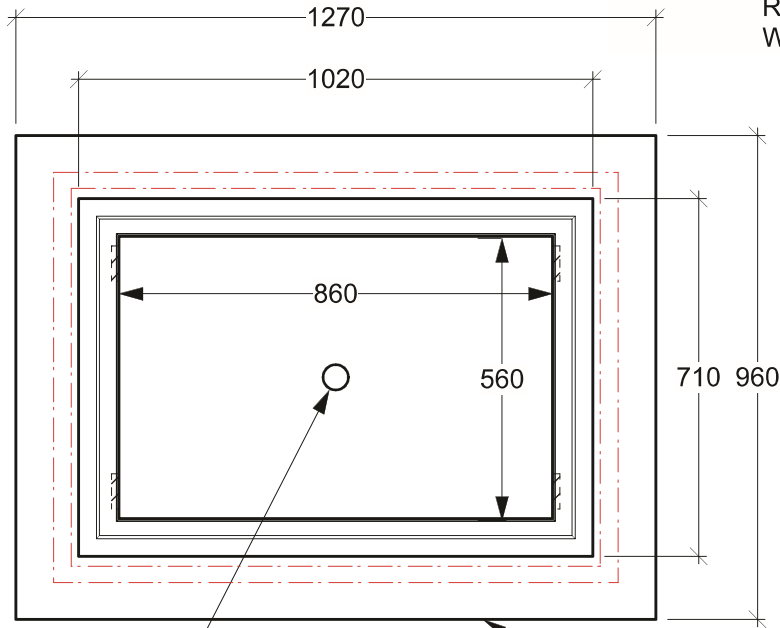


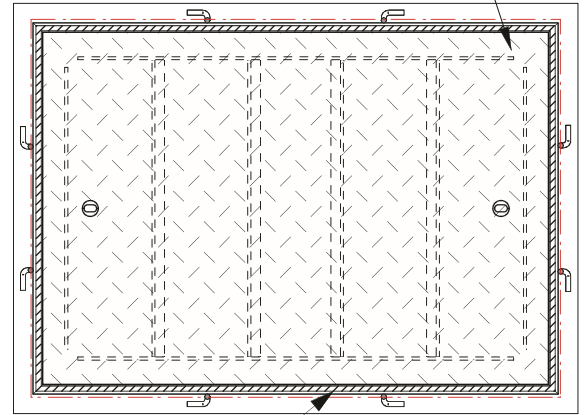
Painted Black, Boltdown, Steel Checker Plate Lids

**Options:** Galvanizing, Padlock Recess  
Remote Reader Holes  
Weld Marking e.g. "ELEC"



50Ø Drain Hole  
in Center

**Plan View**

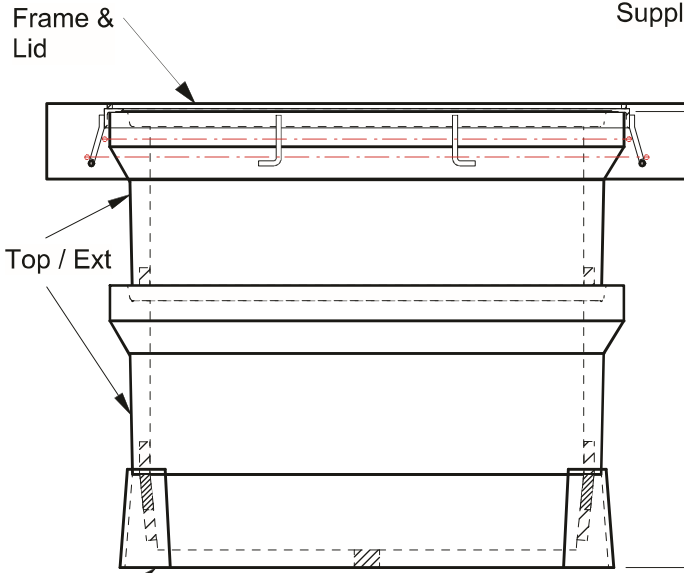


Galvanized  
Frame

**Plan View  
Steel Frame & Lid**

**Note:**

Concrete Perimeter  
to be Cast-in Place  
by Others  
2-10M Rebar Bands  
Supplied w/ Frame

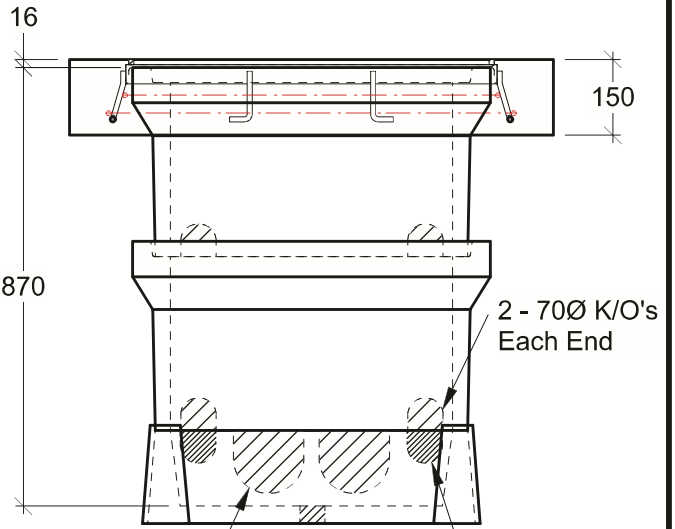


Frame &  
Lid

Top / Ext

Base

**Side View**



2 - 130Ø K/O's  
Each End

2 - 70Ø K/O's  
Each End

2 - 70Ø K/O's  
Each End

**End View**

**General Notes:**

- Products manufactured in accordance with CSA A23.4
- Designed for Boulevard (Off-Road) Use - Occasional H-20 Loading
- Steel Products manufactured under CSA W47.1 in accordance to CSA W59
- Site Installation, Backfilling & Suitability for Use is the responsibility of others



19060 - 54th Avenue  
Surrey, B.C. V3S 8E5

Tel (604) 576-1808  
info@aeconcrete.com

**5686 Superimposed Service Box - Complete**  
(w/ Frame & Cover)

Lid: 110 lbs / 50 kgs	Base: 175 lbs / 80 kgs	Scale: 1:15 mm	Rev: 27Mar12
Frame: 35 lbs / 15 kgs	Total: 710 lbs / 325 kgs	Dwg#: <b>5686-N3-SUPR-C</b>	
Top/Ext: 195 lbs / 90 kgs			