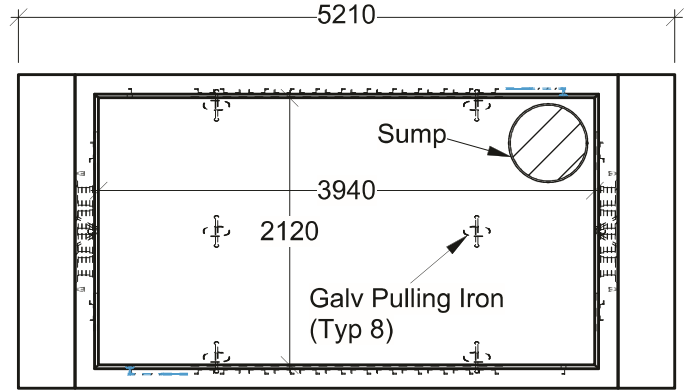
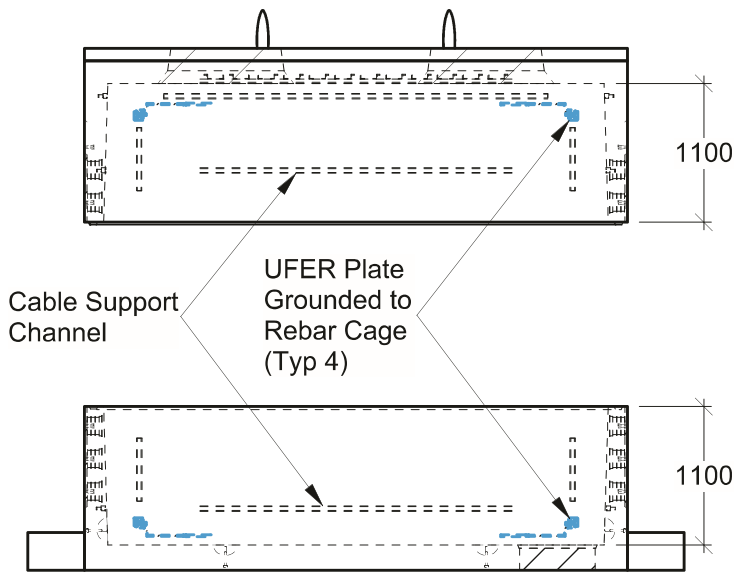


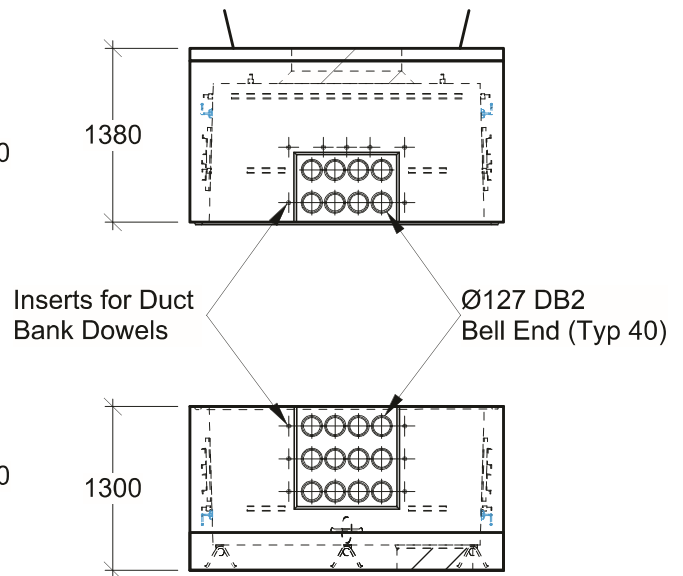
Plan View-Top



Plan View-Bottom



Side View



End View

General Notes:

- Product manufactured in accordance with CSA A23.4
- Lift Points Provided (See Shop Drawing for Quantity & Locations)
- Designed for Roadway Use - CSA S6 & BC Hydro Design Standard ES54 U1-02 R3
- Site Installation, Backfilling & Suitability for Use is the responsibility of others



19060 - 54th Avenue
Surrey, B.C. V3S 8E5

Tel (604) 576-1808
info@aeconcrete.com

402122 BCH C1 Thru Type Double Manhole Chamber
(BCH Stk# 96022513)

Top: 28,100 lbs / 12,750 kgs
Btm: 28,500 lbs / 12,930 kgs

Scale: 1:60 mm

Rev:

Dwg#: **SVHZ-N1-402122-C**