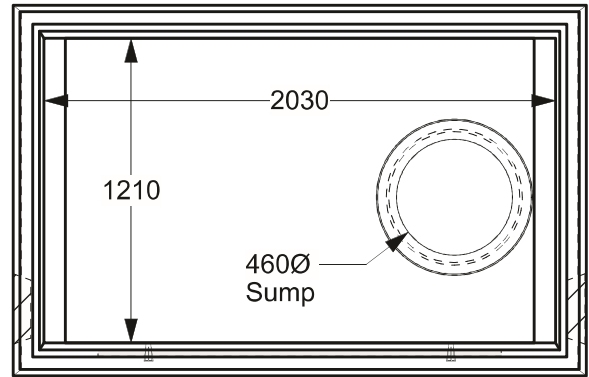
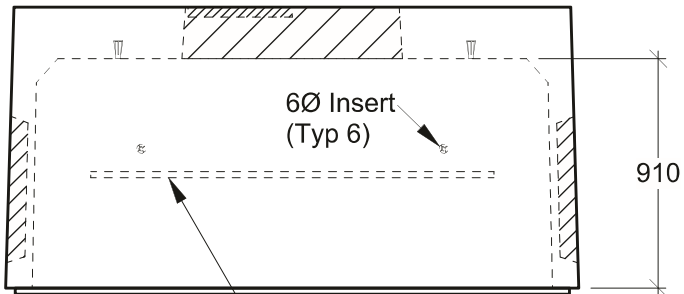


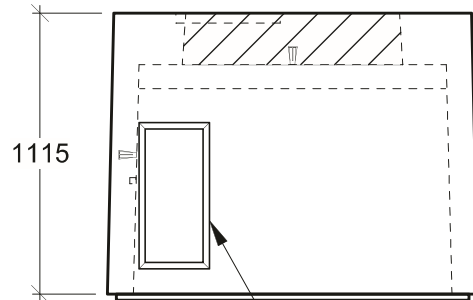
Plan View - Top



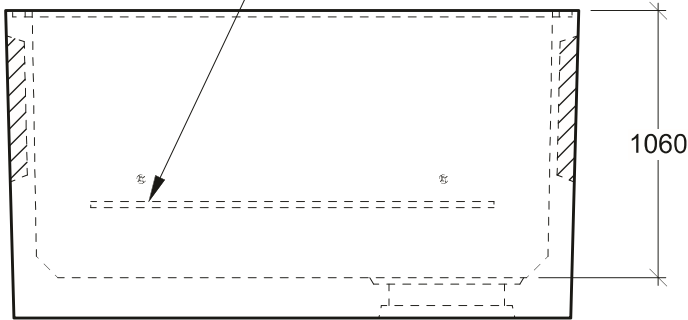
Plan View - Bottom



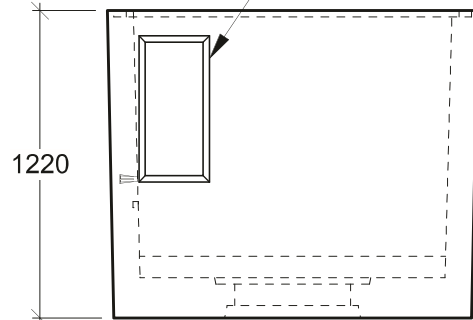
Cable Support Channel



230 x 530 K/O



Side View



End View

General Notes:

- Product manufactured in accordance with CSA A23.4
- Lift Points Provided (See Shop Drawing for Quantity & Locations)
- Designed for Roadway Use - H-20 Traffic Loading
- Site Installation, Backfilling & Suitability for Use is the responsibility of others



19060 - 54th Avenue
Surrey, B.C. V3S 8E5

Tel (604) 576-1808
info@aeconcrete.com

BCH 2122 Mini Manhole Chamber

(BCH Stk# 400-0479)

Top: 6,510 lbs / 2,960 kgs
Btm: 6,640 lbs / 3,020 kgs

Scale: 1:30 mm

Rev: 28Jun08

Dwg#: **SVHZ-N1-2122-C**