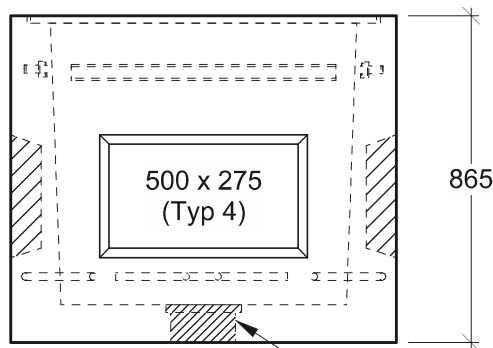
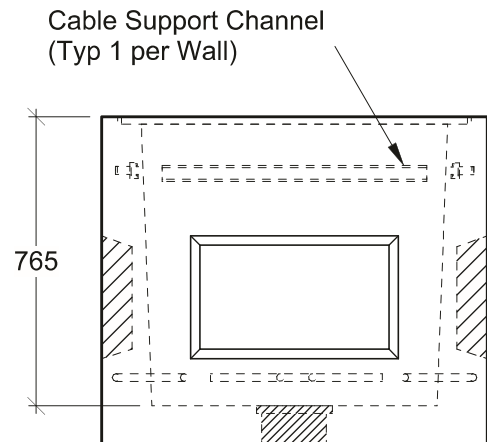


**Plan View**



**Side View**



**End View**

**General Notes:**

- Product manufactured in accordance with CSA A23.4
- Lift Points Provided (See Shop Drawing for Quantity & Locations)
- Designed for Roadway Use - H-20 Traffic Loading
- Site Installation, Backfilling & Suitability for Use is the responsibility of others



19060 - 54th Avenue  
Surrey, B.C. V3S 8E5

Tel (604) 576-1808  
info@aeconcrete.com

**4040 Service Vault**

(Alternate to MoTH Dwg# SP635-1.3.3 & BCH Dwg# ES54 B2-02, Stock# 400-0450)

Box: 2,260 lbs / 1,030 kgs

Scale: 1:20 mm

Rev: 19Jan16

Dwg#: **SVZZ-2B-4040-C**