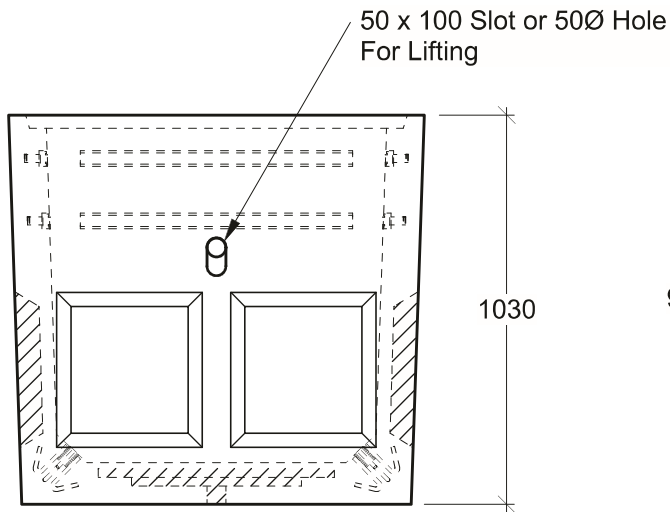
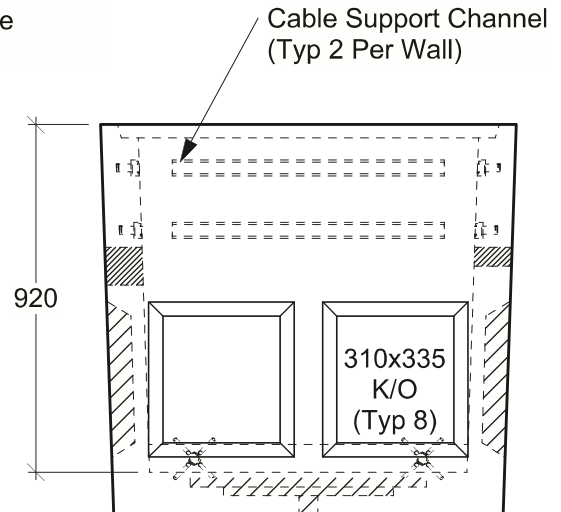


**Plan View**



**Side View**



**End View**

**General Notes:**

- Product manufactured in accordance with CSA A23.4
- Lift Points Provided (See Shop Drawing for Quantity & Locations)
- Designed for Roadway Use - H-20 Traffic Loading
- Site Installation, Backfilling & Suitability for Use is the responsibility of others



19060 - 54th Avenue  
Surrey, B.C. V3S 8E5

Tel (604) 576-1808  
info@aeconcrete.com

**332 BCH Service Vault**

(BCH Stock# 400-0998)

Vault: 2,190 lbs / 995 kgs

Scale: 1:20 mm

Rev: 28Jun08

Dwg#: **SVHZ-20-0332-C**