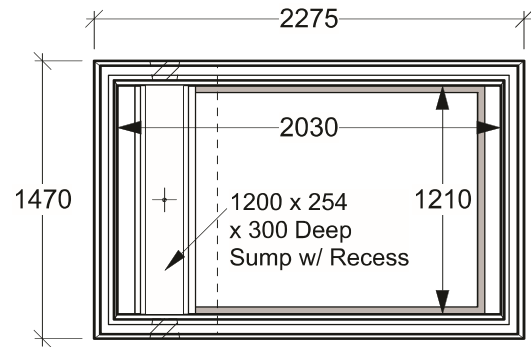


Plan View - Top



Plan View - Bottom

2121 Collar

Painted Black, Boltdown, Steel Checker Plate Lids

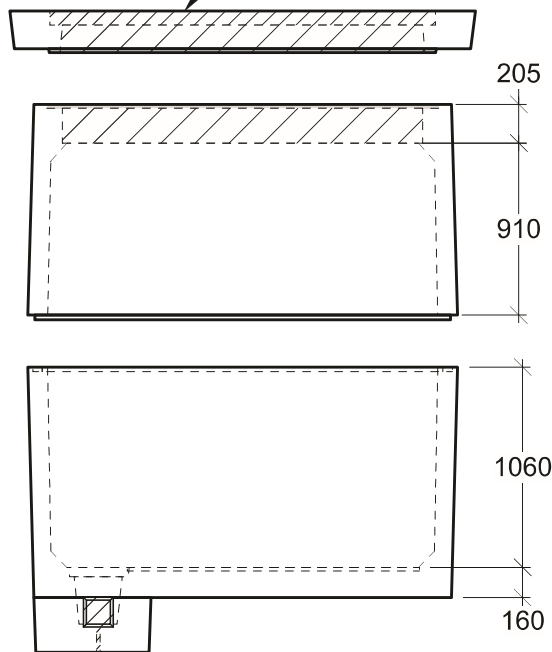
Options: Galvanizing, Padlock Recess, Remote Reader Holes, Weld Marking e.g. "ELEC"

OR

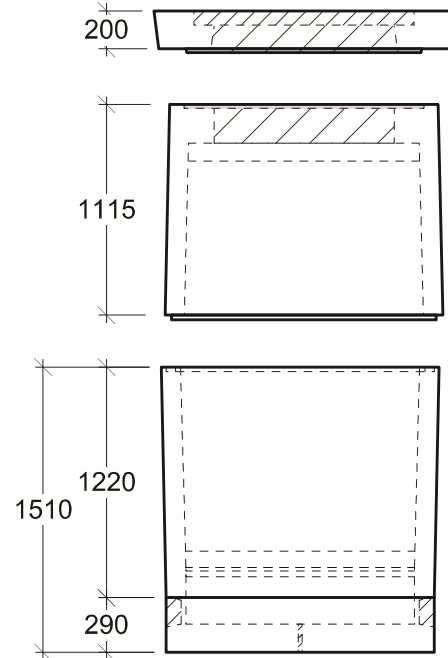
2121 Roof Slab Customizations Available:

For Hatch Frame Deeper than 100mm

& or Heavy Traffic Applications up to 915x1835 Thru Opening
(Subject to Hatch Type)



Side View



End View

General Notes:

- Product manufactured in accordance with CSA A23.4
- Lift Points Provided (See Shop Drawing for Quantity & Locations)
- Designed for Pedestrian or Roadway Use - H-20 Traffic Loading
- Design and Provision of Thrust Blocks is the responsibility of others
- Site Installation, Backfilling & Suitability for Use is the responsibility of others



19060 - 54th Avenue
Surrey, B.C. V3S 8E5

Tel (604) 576-1808
info@aeconcrete.com

2122 Chamber w/ Opening for 2121 Roof Slab

Top: 5,200 lbs / 2,360 kgs
Btm: 8,000 lbs / 3,630 kgs

Scale: 1:40 mm

Rev: 05Jun17

Dwg#: **VC21-N9-2122-C**