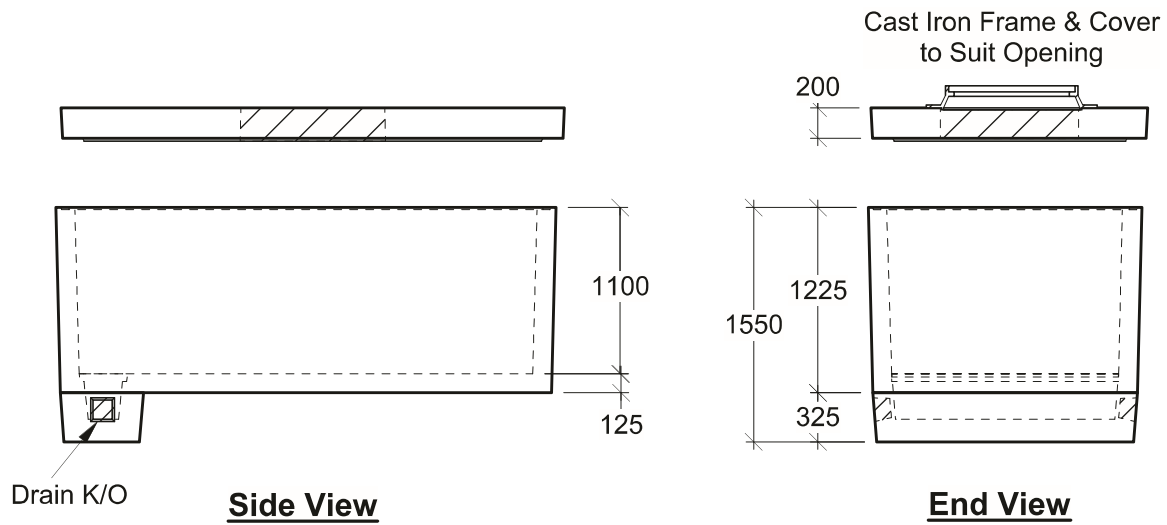


**Plan View - Chamber**

**Plan View - Roof Slab**



**Side View**

**End View**

**General Notes:**

- Product manufactured in accordance with CSA A23.4
- Lift Points Provided (See Shop Drawing for Quantity & Locations)
- Designed for Roadway Use - H-20 Traffic Loading
- Design and Provision of Thrust Blocks is the responsibility of others
- Site Installation, Backfilling & Suitability for Use is the responsibility of others



19060 - 54th Avenue  
Surrey, B.C. V3S 8E5

Tel (604) 576-1808  
info@aeconcrete.com

**3151 Vault w/ MH Entry Roof Slab**

Chamber: 11,430 lbs / 5,190 kgs  
Roof Slab: 6,590 lbs / 2,990 kgs

Scale: 1:50 mm

Rev: 28Jun08

Dwg#: **VC31-20-3151-C**