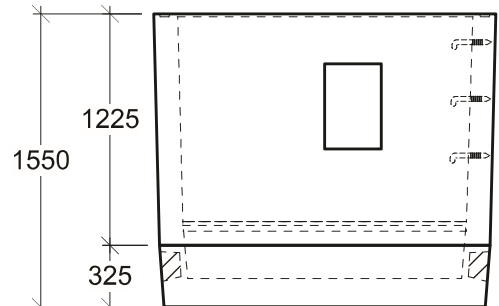
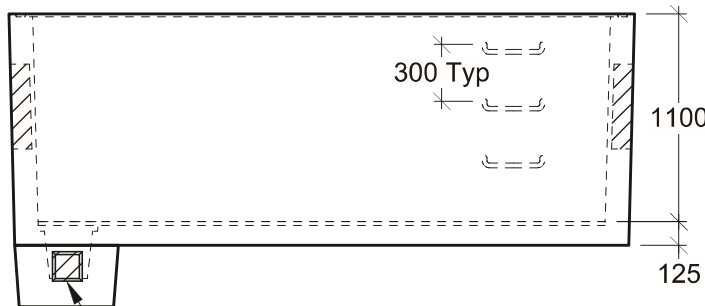
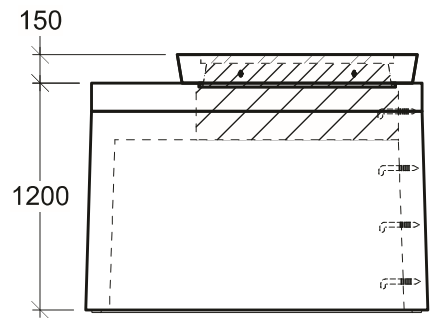
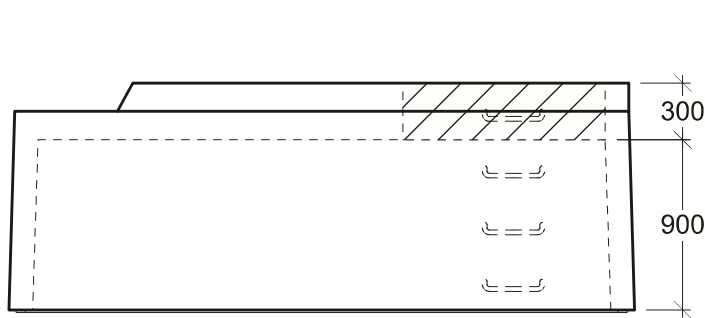


Plan View - Top

Plan View - Bottom



Drain K/O

Side View

End View

General Notes:

- Product manufactured in accordance with CSA A23.4
- Lift Points Provided (See Shop Drawing for Quantity & Locations)
- Designed for Boulevard (Off-Road) Use - H-20 Static Loading
- Design and Provision of Thrust Blocks is the responsibility of others
- Steel Products manufactured under CSA W47.1 in accordance to CSA W59
- Site Installation, Backfilling & Suitability for Use is the responsibility of others



19060 - 54th Avenue
Surrey, B.C. V3S 8E5

Tel (604) 576-1808
info@aeconcrete.com

3152 Chamber - Burnaby Std w/ Hatch Entry

Top: 13,700 lbs / 6,220 kgs
Btm: 12,500 lbs / 5,660 kgs

Scale: 1:40 mm

Rev: 28Jun08

Dwg#: **VC31-20-12BU-C**