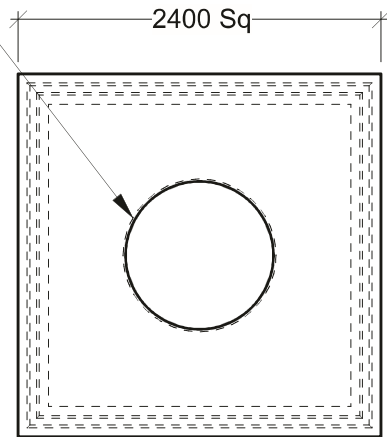
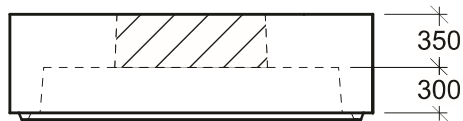


Plan View - Chamber

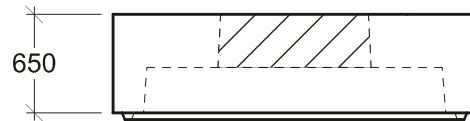
Opening Sized and Positioned to Suit



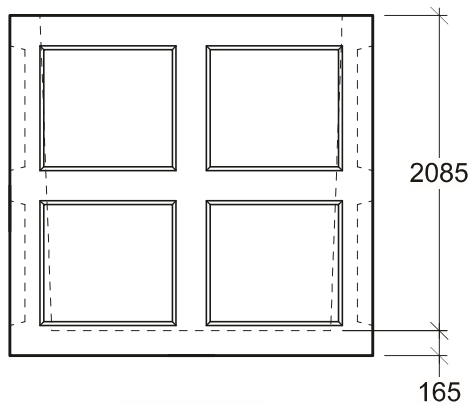
Plan View - Roof Slab



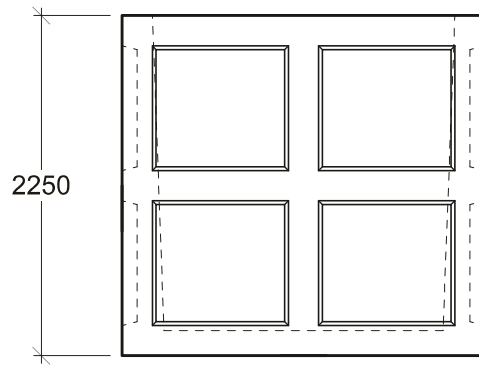
End View



End View



End View



End View

General Notes:

- Product manufactured in accordance with CSA A23.4
- Lift Points Provided (See Shop Drawing for Quantity & Locations)
- Designed for Roadway Use - H-20 Traffic Loading
- Design and Provision of Thrust Blocks is the responsibility of others
- Site Installation, Backfilling & Suitability for Use is the responsibility of others



19060 - 54th Avenue
Surrey, B.C. V3S 8E5

Tel (604) 576-1808
info@aeconcrete.com

2221 Chamber w/ MH Riser Roof Slab

Chamber: 23,000 lbs / 10,430 kgs
Roof Slab: 16,500 lbs / 7,480 kgs

Scale: 1:50 mm

Rev: 28Jun08

Dwg#: **VC22-MH-2221-C**