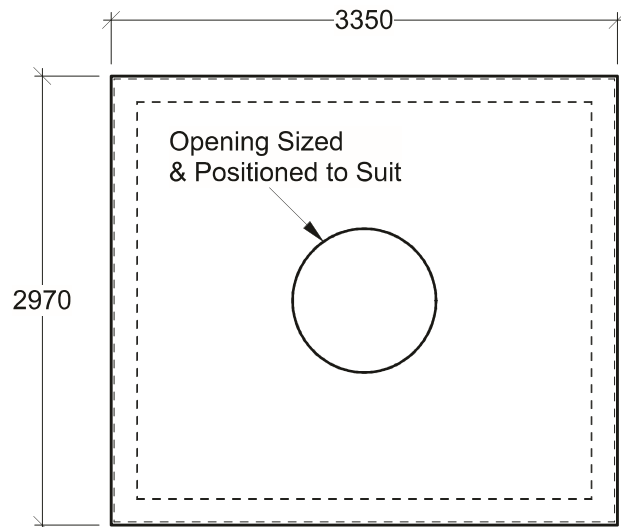
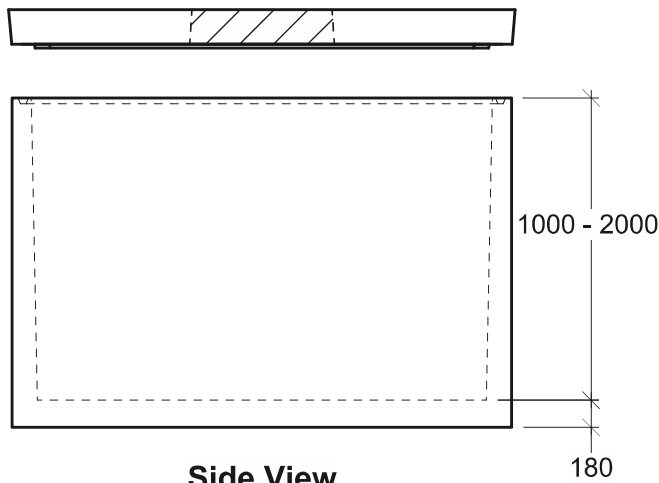


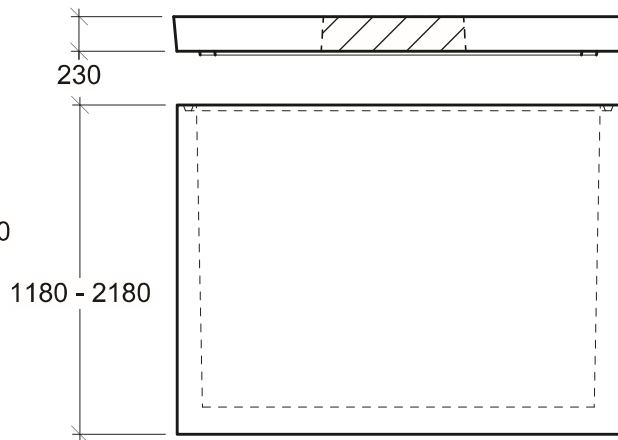
Plan View - Chamber



Plan View - Roof Slab



Side View



End View

General Notes:

- Product manufactured in accordance with CSA A23.4
- Lift Points Provided (See Shop Drawing for Quantity & Locations)
- Designed for Roadway Use - H-20 Traffic Loading
- Design and Provision of Thrust Blocks is the responsibility of others
- Site Installation, Backfilling & Suitability for Use is the responsibility of others



302610 Chamber

19060 - 54th Avenue
Surrey, B.C. V3S 8E5

Tel (604) 576-1808
info@aeconcrete.com

Chamber: 29,100 lbs / 13,200 kgs
Roof Slab: 12,100 lbs / 5,850 kgs

Scale: 1:50 mm

Rev: 28Jun08

Dwg#: **VC30-25-ZZZZ-C**