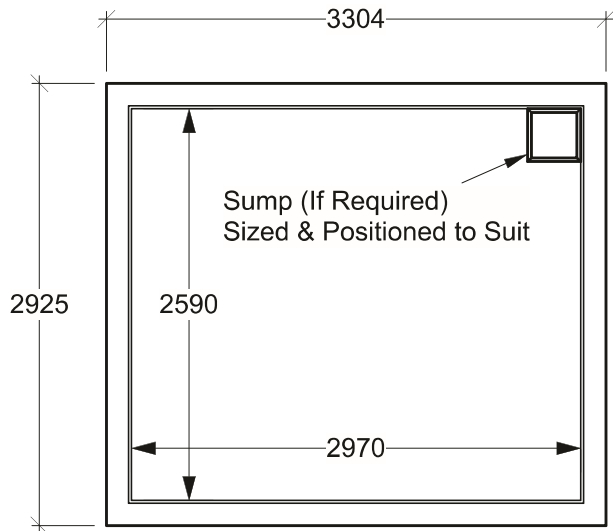
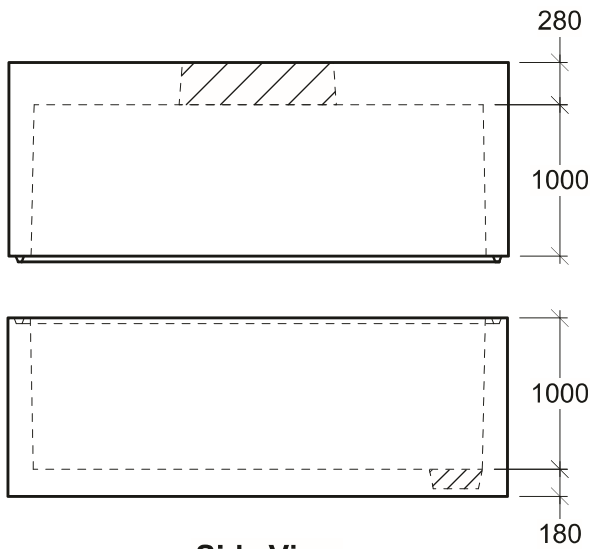


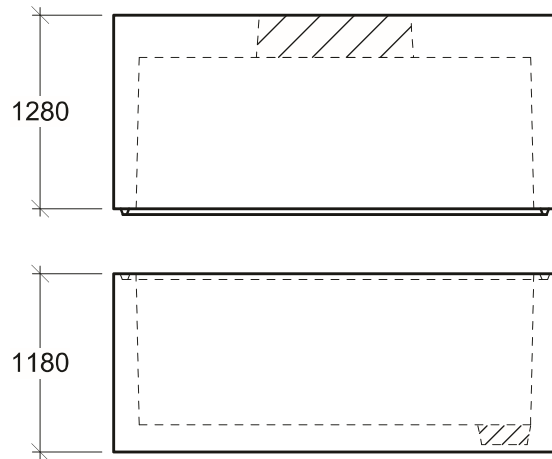
**Plan View - Top**



**Plan View - Bottom**



**Side View**



**End View**

**General Notes:**

- Product manufactured in accordance with CSA A23.4
- Lift Points Provided (See Shop Drawing for Quantity & Locations)
- Designed for Roadway Use - H-20 Traffic Loading
- Design and Provision of Thrust Blocks is the responsibility of others
- Site Installation, Backfilling & Suitability for Use is the responsibility of others



**302620 Chamber**

19060 - 54th Avenue  
Surrey, B.C. V3S 8E5

Tel (604) 576-1808  
info@aeconcrete.com

Top: 20,900 lbs / 9,470 kgs  
Btm: 20,000 lbs / 9,090 kgs

Scale: 1:50 mm

Rev: 28Jun08

Dwg#: **VC30-20-ZZZZ-C**