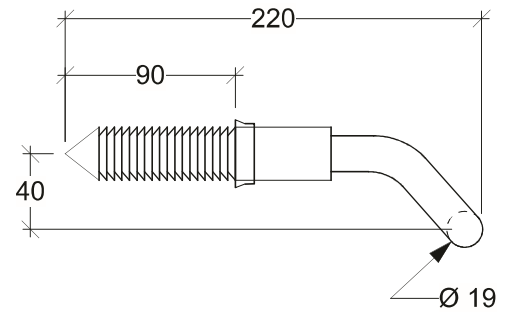


**Plan**



**Front View**



**Side View**



19060 - 54th Avenue  
Surrey, B.C. V3S 8E5

Tel (604) 576-1808  
info@aeconcrete.com

**Aluminum Ladder Rung**

Rung: 0.75 lbs / 0.4 kgs

Scale: 1:4 mm

Rev: 28Jun08

Dwg#: **VCLA-19AL-RUNG-C**