

Electrical / BC Hydro Listings

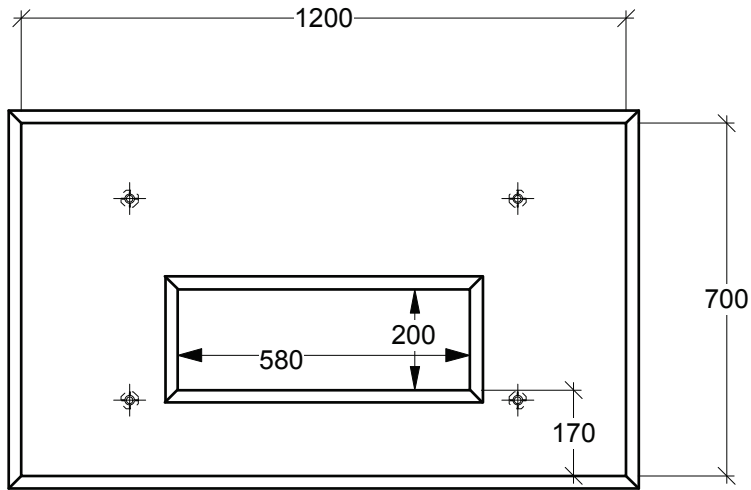
<u>Drawing Number</u>	<u>Item Description</u>	<u>Product Size</u> (Length X Width X Depth in mm)
HJK1-20-ZZZZ-C	Single Phase JK Pad , BCH Stock# 400-0840	1200 x 700 x 200
HJK3-20-ZZZZ-C	3 Phase Low Profile Junction Kiosk , BCH Stock# 400-0850	1725 x 1250 x 920
HPAD-ZZ-1250-C	Transformer Single Phase LPT Pad , BCH Stock# 400-0852	1100 x 1300 x 280
HPAD-ZZ-1500-C	3 Phase Transformer (5 x 5) Pad , BCH Stock# 400-0853 For Transformers 500 KVA and Smaller	1680 x 1580 x 200
HPAD-ZZ-2140-C	F3-05 Transformer Pad , BCH Stock # 400-0854 For Transformers 750 KVA and Larger	2140 x 2140 x 200
HPAD-N2-3TO3-C	Conversion Pad: 3ϕ Kiosk to PMDFT , BCH Stock# 400-0861 2 – Concrete Lids	3680 x 1860 x 230
HPAD-N2-3TOS-C	Conversion Pad: 3ϕ Transformer Flotation Pad , BCH Stock# 400-0862 2 – Concrete Lids	1860 x 1860 x 240
HPAD-C0-1700-C	Conversion Pad: 555 J-Box to J-Kiosk , BCH Stock# 400-0956	1720 x 1720 x 220
HPAD-C0-LPTS-C	Conversion Pad: Single Phase Kiosk to LPTS , BCH Stock# 400-0860	1250 x 1250 x 270
HPAD-ZZ-LPTP-C	LPT Pyramid Pad , BCH Stock# 400-0851	1250 x 1010 x 760
SVHZ-N9-VIST-C	Switchgear Chamber Vista 4-Way , BCH Stock# 350-8535	2515 x 1825 x 1600 i.d.
SVHZ-N2-VIST5-C	Switchgear Chamber Vista 5-Way , BCH Stock# 96005803	3350 x 2130 x 1980 i.d.
SVHZ-20-SGMH-C	Switchgear Manhole Chamber , BCH Stock# 350-8540	3330 x 1830 x 2260 i.d.
HPAD-N9-SWIT-C	Switchgear Pad MK II , BCH Stock# 350-8537	2655 x 1900 x 900 i.d.
HPAD-52-5WAY-C	Switchgear Collar Vista 5-Way (25 kVA 3ϕ) , BCH Stock# 96016084	2700 x 2200 x 200
HPAD-52-VIST-C	Switchgear Collar Vista (25 kVA 3ϕ) , BCH Stock# 350-8536	2200 x 2200 x 200
HPAD-58-0025-C	Switchgear Collar 25 kV , BCH Stock# 350-8539	2200 x 2200 x 200
HPAD-58-0125-C	Switchgear Collar 12.5 kV BCH Stock# 350-8538	2200 x 2200 x 200
SVHZ-N1-4212-C	BCH 4212 C1 Thru Type Manhole Chamber , BCH Stock# 400-0478	3940 x 2120 x 1980 i.d.
SVHZ-N1-402122-C	BCH 402122 C1 Thru Type Dble Manhole Chamber , BCH Stock# 96022513	3940 x 2120 x 2200 i.d.

Electrical / BC Hydro Listings

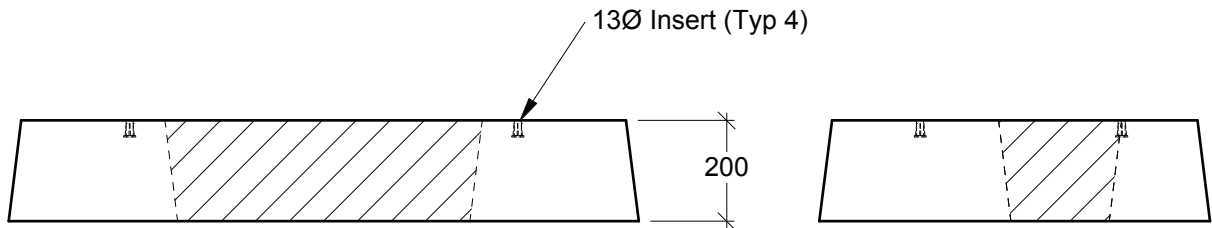
<u>Drawing Number</u>	<u>Item Description</u>	<u>Product Size</u> (Length X Width X Depth in mm)
SVHZ-N1-2122-C	BCH 2122 Mini Manhole Chamber , BCH Stock# 400-0479	2030 x1210 x 1970 i.d.
SVZZ-2B-4040-C	4040 Service Vault , BCH Stock# 400-0450	755 x 755 x 765 i.d.
SVZZ-LIDS-4040-C	4040 Service Vault Covers , Concrete Collar w/ Steel Lids, Concrete Lids (3), Cast Iron Cover	Varies
SVZZ-C2-4040-C	4040 Service Vault Riser 150 High	1040 x 1040 x 150
SVHZ-20-1200-C	1.2m Electrical Vault & Collar , BCH Stock# 400-0911	970 x 830 x 950 i.d.
SVHZ-20-1500-C	1.5m BCH Service Vault & MH Entry Roof Slab , BCH Stock# 400-0955	1170 x 1070 x 1240 i.d.
SVHZ-C2-1500-C	1.5m BCH Riser 150 High , BCH Stock# 400-0957	1520 x 1520 x 150 i.d.
SVHZ-20-0332-C	332 BCH Service Vault , BCH Stock# 400-0998	840 x 840 x 920 i.d.
SVHZ-51-0332-C	332 BCH Collar & Lid Assembly , BCH Stock# 400-0999	1160 x 1160 x 180
SVHZ-A1-0332-C	332 BCH MH Entry Roof Slab , BCH Stock# 400-0983	1160 x 1160 x 180
SVHZ-42-0332-C	332 BCH Riser 150 High , BCH Stock# 400-0989	1150 x 1150 x 150
SVHZ-20-0632-C	632 BCH Service Vault , BCH Stock # 400-0995	1655 x 780 x 895-935 i.d.
SVHZ-51-0632-C	632 BCH Collar & Lid Assembly , BCH Stock # 400-0996	2065 x 1190 x 180
SVHZ-A1-0632-C	632 BCH MH Entry Roof Slab , BCH Stock# 400-0982	2007 x 1132 x 200
SVHZ-A1-R632-C	632 BCH MH Entry Riser Roof Slab , BCH Stock# 400-0997	2007 x 1132 x 570
SVHZ-42-0632-C	632 BCH Riser 150 High , BCH Stock# 400-0988	1965 x 1090 x 150
SVHZ-20-0832-C	832 BCH Junction Vault , BCH Stock# 400-0990	2530 x 790 x 870-935 i.d.
SVHZ-2A-F832-C	832 BCH Bottomless Junction Vault , BCH Stock# 96013341	2530 x 754 x 885 i.d.
SVHZ-51-0832-C	832 BCH Collar & Lid Assembly , BCH Stock# 400-0993	2940 x 1150 x 190
SVHZ-42-0832-C	832 BCH Riser 150 High , BCH Stock# 400-0992	2840 x 1070 x 150
SVHZ-20-1232-C	1232 BCH Junction Vault , BCH Stock# 400-0915	3600 x 800 x 895-975 i.d.

Electrical / BC Hydro Listings

<u>Drawing Number</u>	<u>Item Description</u>	<u>Product Size</u> (Length X Width X Depth in mm)
SVHZ-51-1232-C	1232 BCH Collar & Lid Assembly , BCH Stock# 400-0916	3880 x 1080 x 190
SVHZ-42-1232-C	1232 BCH Riser 150 High , BCH Stock# 400-0987	3865 x 1065 x 150
SVHZ-A4-ZZZZ-C	Pull Box Slab Covers , Type A & B (for 632, 832, 1232)	230 x 1050 x 100
SVTZ-41-ZZZZ-C	Riser Ring 915Ø (100, 125, 150 High)	Varies
SVTZ-41-0300-C	Riser Ring 915Ø (300H) , BCH Stock# 97000965	930Ø x 305 i.d.
SMBB-3E-0509-C	BCH Protection Post Bollard , BCH Stock# 97002788	450 x 450 x 2250



Plan View



Side View

End View

General Notes:

- Product manufactured in accordance with CSA A23.4
- Lift Points Provided (See Shop Drawing for Quantity & Locations)
- Site Installation, Backfilling & Suitability for Use is the responsibility of others



19060 - 54th Avenue
Surrey, B.C. V3S 8E5

Tel (604) 576-1808
info@aeconcrete.com

Single Phase JK Pad

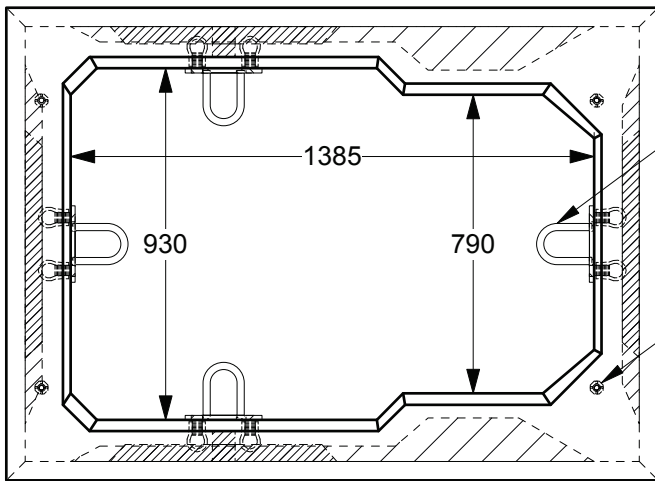
(BCH Dwg# ES54 D1-01, BCH Stk# 400-0840)

Pad: 840 lbs / 385 kgs

Scale: 1:15 mm

Rev: 28Jun08

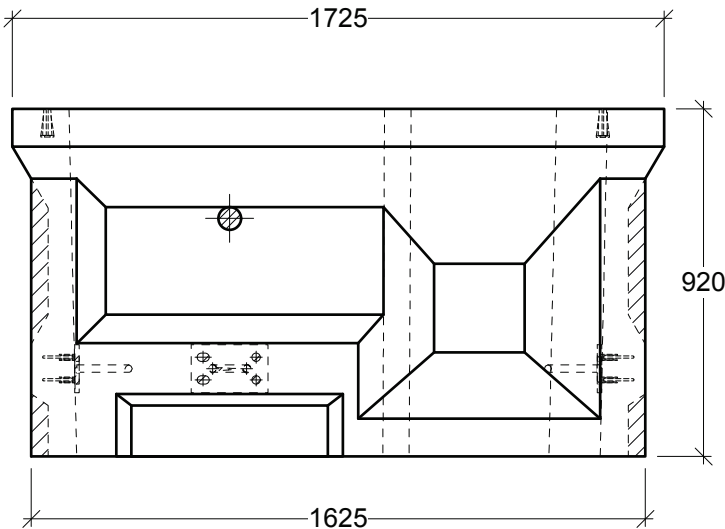
Dwg#: **HJK1-20-ZZZZ-C**



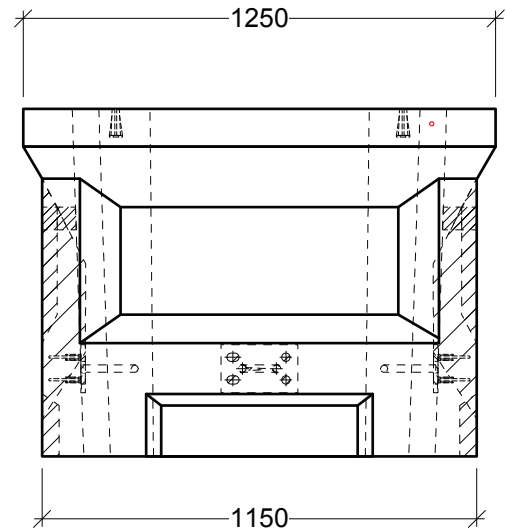
4-Hole Pulling Iron
(Typ 4)

13Ø Inserts
(Typ 4)

Top View



Side View



End View

General Notes:

- Product manufactured in accordance with CSA A23.4
- Lift Points Provided (See Shop Drawing for Quantity & Locations)
- Site Installation, Backfilling & Suitability for Use is the responsibility of others



19060 - 54th Avenue
Surrey, B.C. V3S 8E5

Tel (604) 576-1808
info@aeconcrete.com

3 Phase Low Profile Junction Kiosk

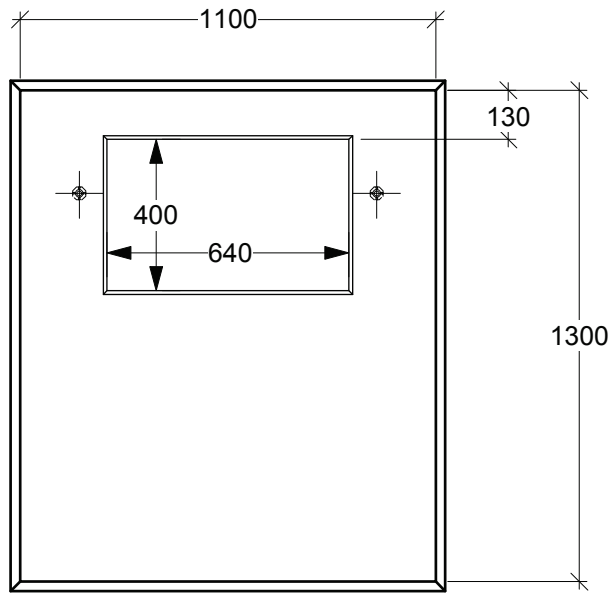
(BCH Stk# 400-0850)

Kiosk: 2,650 lbs / 1,210 kgs

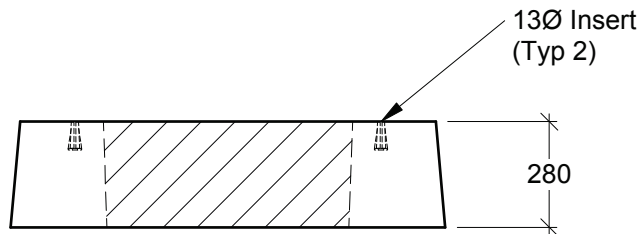
Scale: 1:20 mm

Rev: 22Dec08

Dwg#: **HJK3-20-ZZZZ-C**



Plan View



Side View

General Notes:

- Product manufactured in accordance with CSA A23.4
- Lift Points Provided (See Shop Drawing for Quantity & Locations)
- Site Installation, Backfilling & Suitability for Use is the responsibility of others



19060 - 54th Avenue
Surrey, B.C. V3S 8E5

Tel (604) 576-1808
info@aeconcrete.com

Transformer Single Phase LPT Pad

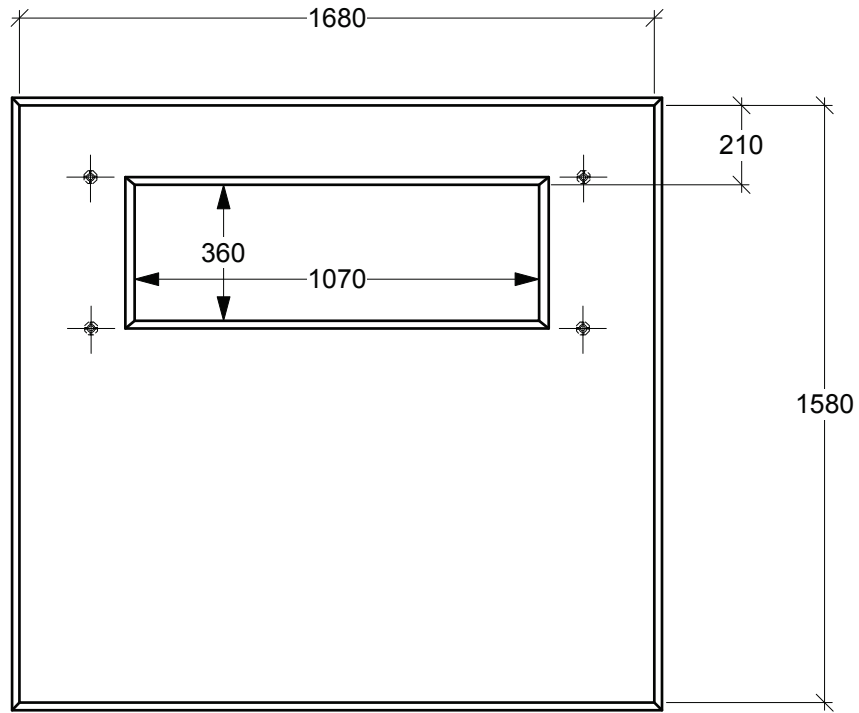
(BCH Dwg# ES54 F1-02, BCH Stk# 400-0852)

Pad: 1,910 lbs / 870 kgs

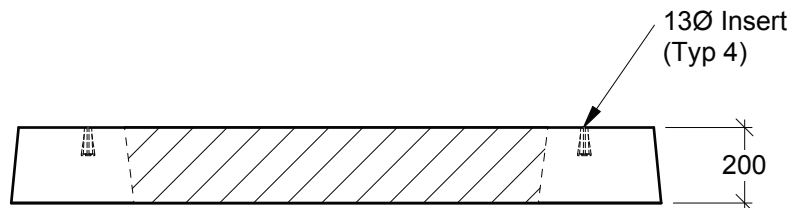
Scale: 1:20 mm

Rev: 28Jun08

Dwg#: **HPAD-ZZ-1250-C**



Plan View



Side View

General Notes:

- Product manufactured in accordance with CSA A23.4
- Lift Points Provided (See Shop Drawing for Quantity & Locations)
- Site Installation, Backfilling & Suitability for Use is the responsibility of others



19060 - 54th Avenue
Surrey, B.C. V3S 8E5

Tel (604) 576-1808
info@aeconcrete.com

3 Phase Transformer (5x5) Pad

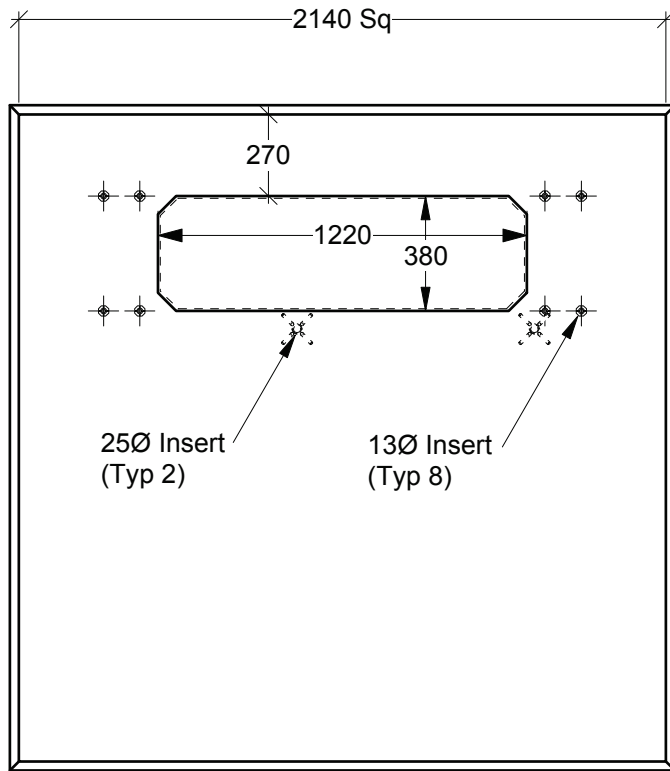
(BCH Dwg# ES54 F3-04, BCH Stk# 400-0853)

Pad: 2,570 lbs / 1,170 kgs

Scale: 1:20 mm

Rev: 28Jun08

Dwg#: **HPAD-ZZ-1500-C**



Plan View



Side View

General Notes:

- Product manufactured in accordance with CSA A23.4
- Lift Points Provided (See Shop Drawing for Quantity & Locations)
- Site Installation, Backfilling & Suitability for Use is the responsibility of others



19060 - 54th Avenue
Surrey, B.C. V3S 8E5
Tel (604) 576-1808
info@aeconcrete.com

F3-05 Transformer (2m x 2m) Pad

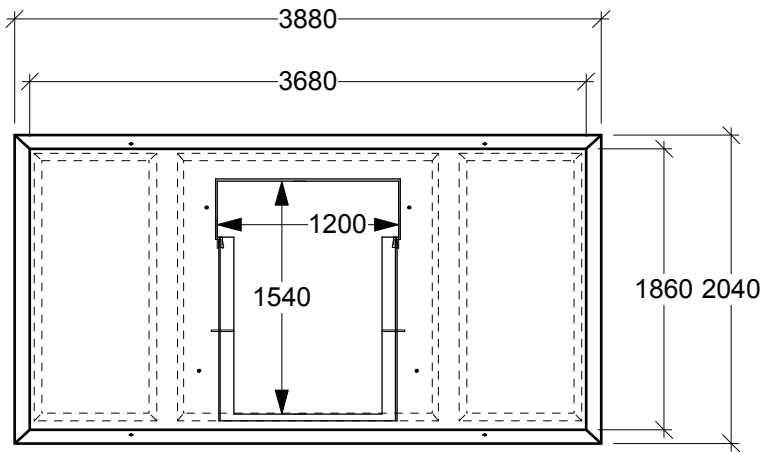
(BCH Dwg# ES54 F3-05, BCH Stk# 400-0854)

Pad: 4,750 lbs / 2,160 kgs

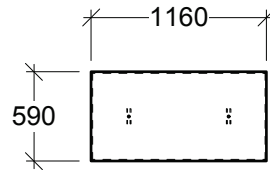
Scale: 1:20 mm

Rev: 28Jun08

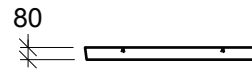
Dwg#: **HPAD-ZZ-2140-C**



Plan View

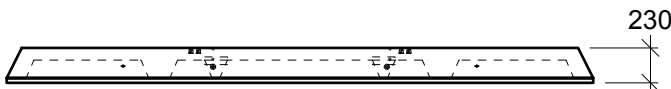


Plan View

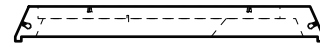


Side View

Concrete Lid
(2 Required)



Side View



End View

General Notes:

- Product manufactured in accordance with CSA A23.4
- Lift Points Provided (See Shop Drawing for Quantity & Locations)
- Site Installation, Backfilling & Suitability for Use is the responsibility of others



19060 - 54th Avenue
Surrey, B.C. V3S 8E5

Tel (604) 576-1808
info@aeconcrete.com

Conversion Pad: 3Ø Kiosk to PMDFT w/ Lids

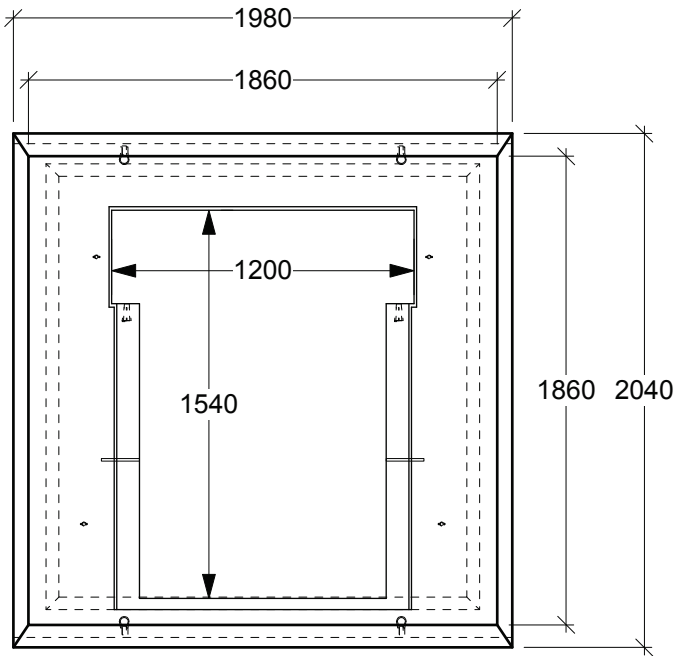
(BCH Dwg# ES53 V3-02, BCH Stk# 400-0861)

Pad: 3,630 lbs / 1,650 kgs
Lids: 550 lbs / 250 kgs

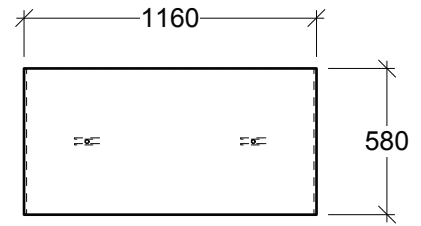
Scale: 1:50 mm

Rev: 09Mar09

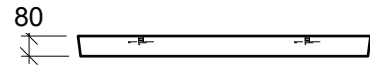
Dwg#: **HPAD-N2-3TO3-C**



Plan View



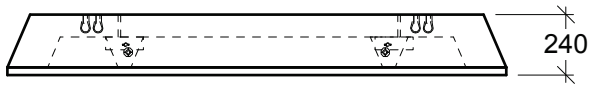
Plan View



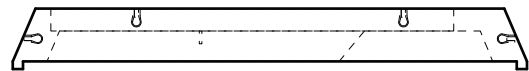
Side View

Concrete Lid

(2 Required)



Side View



End View

General Notes:

- Product manufactured in accordance with CSA A23.4
- Lift Points Provided (See Shop Drawing for Quantity & Locations)
- Site Installation, Backfilling & Suitability for Use is the responsibility of others



19060 - 54th Avenue
Surrey, B.C. V3S 8E5

Tel (604) 576-1808
info@aeconcrete.com

Conversion Pad: 3Ø Transf. Floatation w/ Lids

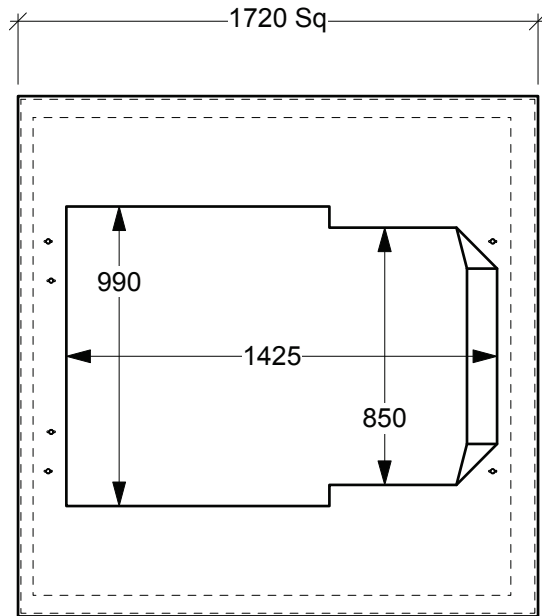
(BCH Dwg# ES53 V3-02, BCH Stk# 400-0862)

Pad: 1,650 lbs / 750 kgs
Lid: 550 lbs / 250 kgs

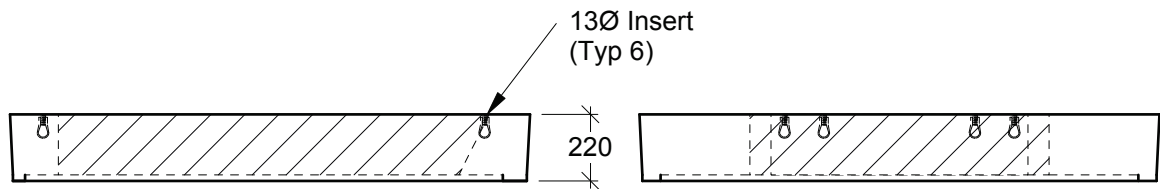
Scale: 1:30 mm

Rev: 09Mar09

Dwg#: **HPAD-N2-3TOS-C**



Plan View



Side View

End View

General Notes:

- Product manufactured in accordance with CSA A23.4.
- Lift Points Provided (See Shop Drawing for Quantity & Locations).
- Site Installation, Backfilling & Suitability for Use is the responsibility of others.



19060 - 54th Avenue
Surrey, B.C. V3S 8E5

Tel (604) 576-1808
info@aeconcrete.com

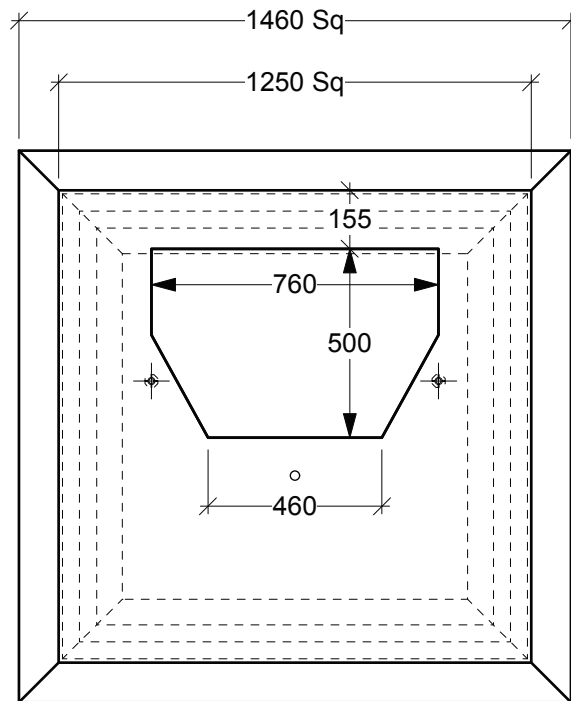
Conversion Pad: 555 J-Box to J-Kiosk
(BCH Stk# 400-0956)

Pad: 1,750 lbs / 800 kgs

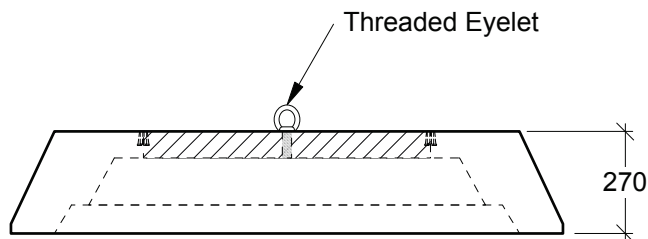
Scale: 1:25 mm

Rev: 28Jun08

Dwg#: **HPAD-C0-1700-C**



Plan View



Side View

General Notes:

- Product manufactured in accordance with CSA A23.4
- Lift Points Provided (See Shop Drawing for Quantity & Locations)
- Site Installation, Backfilling & Suitability for Use is the responsibility of others



19060 - 54th Avenue
Surrey, B.C. V3S 8E5

Tel (604) 576-1808
info@aeconcrete.com

Conversion Pad: Single Phase Kiosk to LPTS

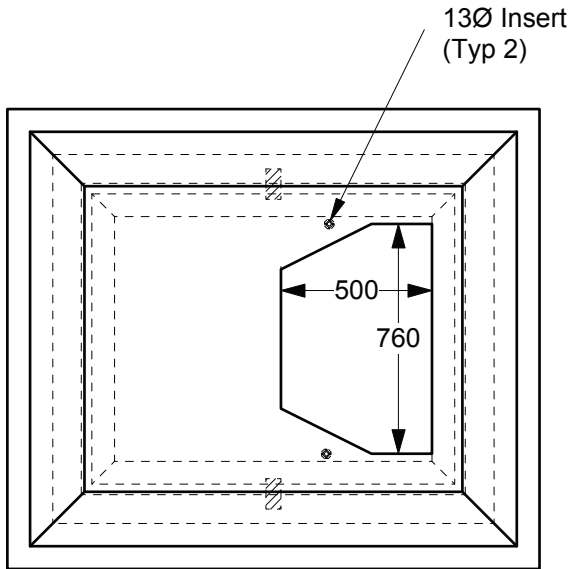
(BCH Dwg# ES54 V1-01, BCH Stk# 400-0860)

Pad: 1,410 lbs / 640 kgs

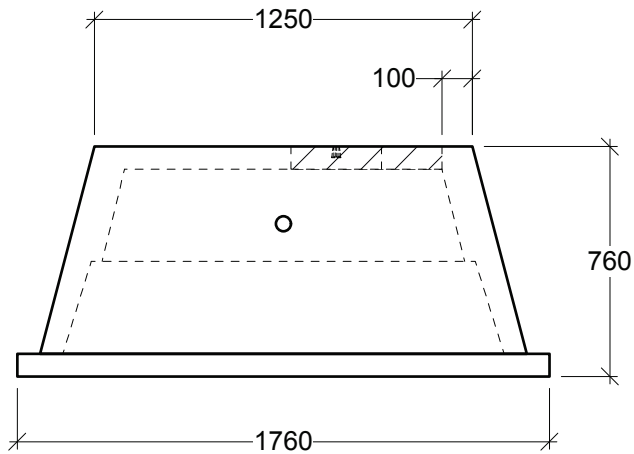
Scale: 1:20 mm

Rev: 28Jun08

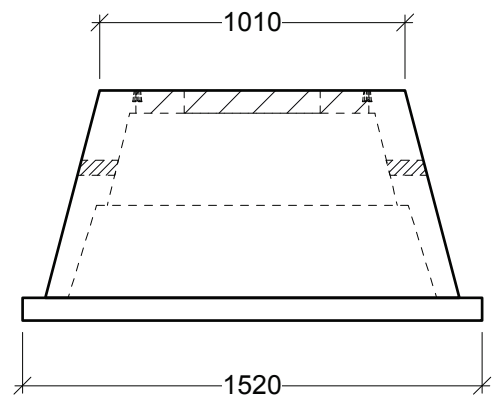
Dwg#: **HPAD-C0-LPTS-C**



Plan View



Side View



End View

General Notes:

- Product manufactured in accordance with CSA A23.4
- Lift Points Provided (See Shop Drawing for Quantity & Locations)
- Site Installation, Backfilling & Suitability for Use is the responsibility of others



19060 - 54th Avenue
Surrey, B.C. V3S 8E5

Tel (604) 576-1808
info@aeconcrete.com

LPT Pyramid Pad

(BCH Dwg# ES54 F1-03, BCH Stk# 400-0851)

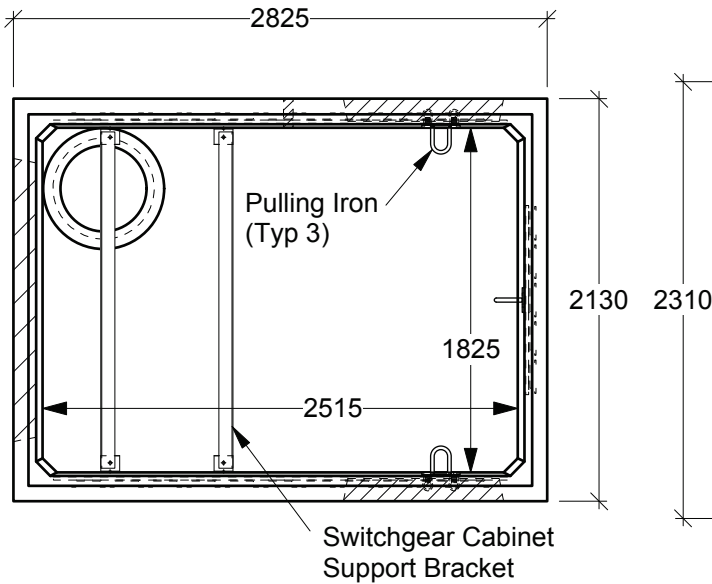
Pad: 2,460 lbs / 1,120 kgs

Scale: 1:25 mm

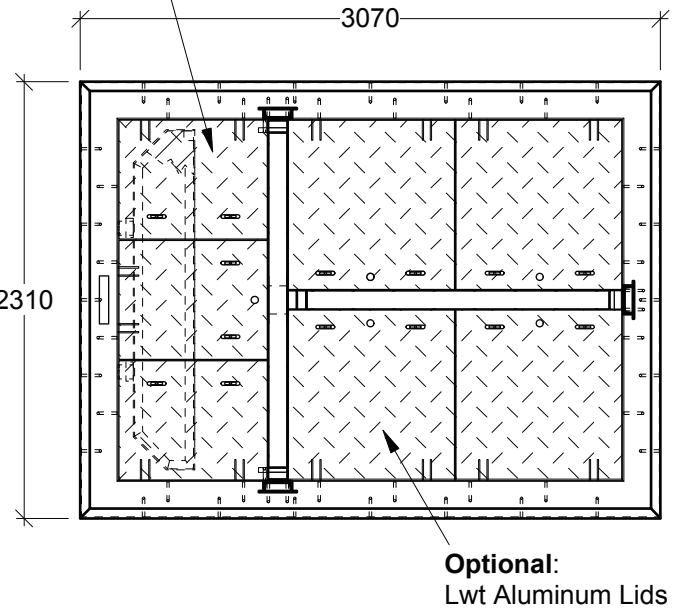
Rev: 28Jun08

Dwg#: **HPAD-ZZ-LPTP-C**

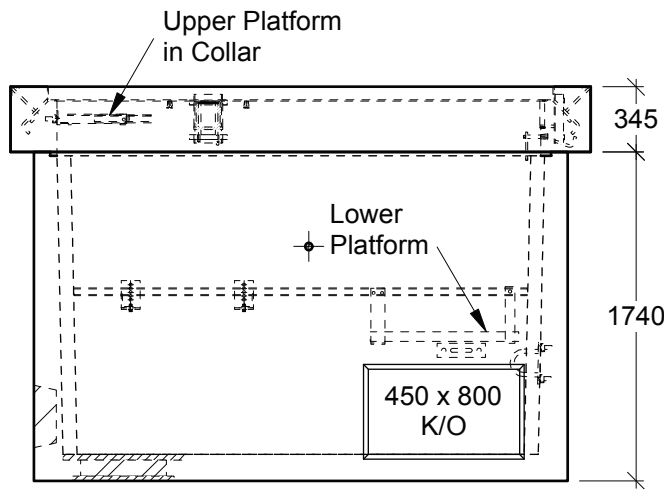
Painted Black, Bolt-down, Steel Checker Plate Lids
Options: Galvanizing, Padlock Recess
 Remote Reader Holes
 Weld Marking e.g. "ELEC"



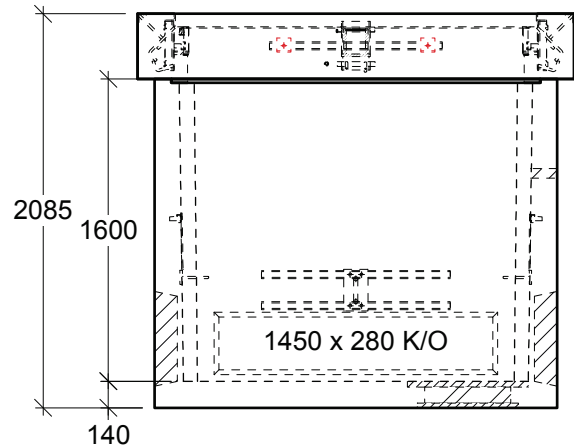
Plan View



Plan View - Collar



Side View



End View

General Notes:

- Product manufactured in accordance with CSA A23.4.
- Lift Points Provided (See Shop Drawing for Quantity & Locations).
- Steel Products manufactured under CSA W47.1 in accordance to CSA W59.
- Site Installation, Backfilling & Suitability for Use is the responsibility of others.



19060 - 54th Avenue
 Surrey, B.C. V3S 8E5

Tel (604) 576-1808
 info@aeconcrete.com

Switchgear Chamber Vista 4-Way

(BCH Stk# 350-8535)

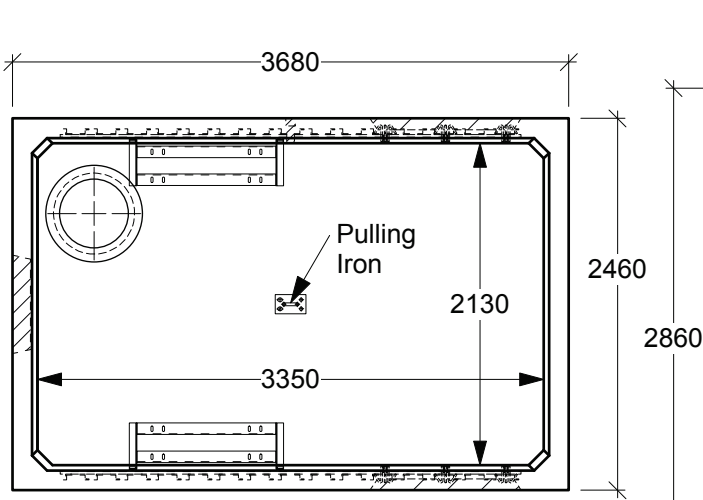
Chamber: 15,480 lbs / 7,025 kgs
 Collar: 6,350 lbs / 2,885 kgs

Scale: 1:40 mm

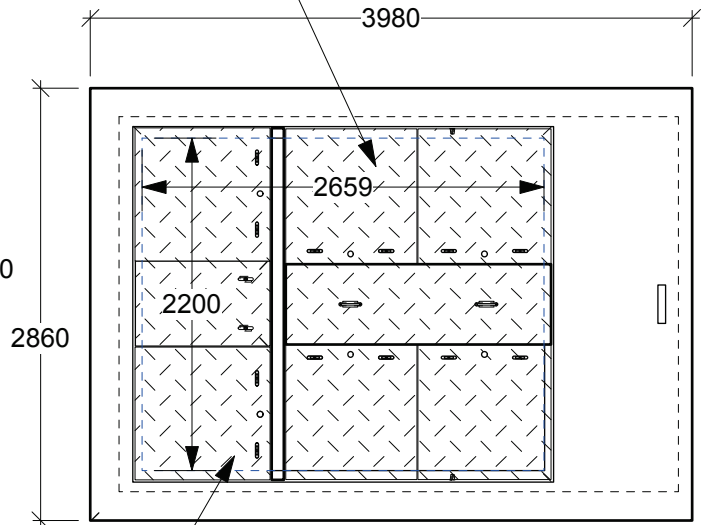
Rev: 28Jun08

Dwg#: **SVHZ-N9-VIST-C**

Painted Black, Bolt-down, Steel Checker Plate Lids
Options: Galvanizing, Padlock Recess
 Remote Reader Holes
 Weld Marking e.g. "ELEC"

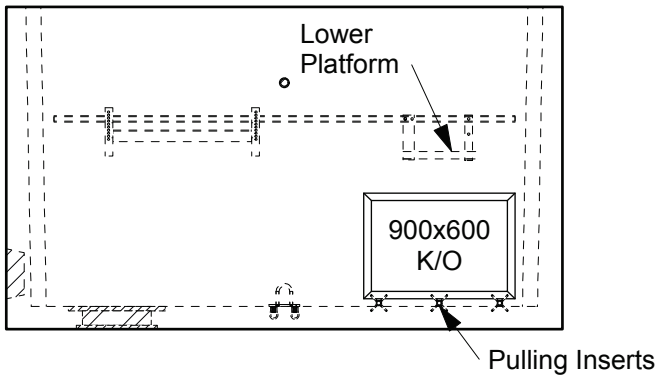
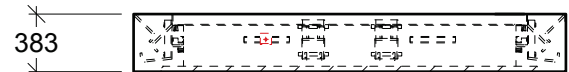
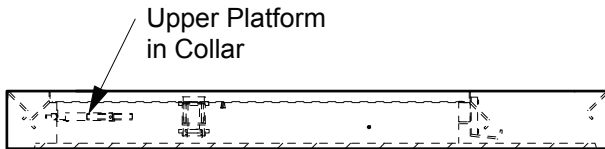


Plan View - Chamber

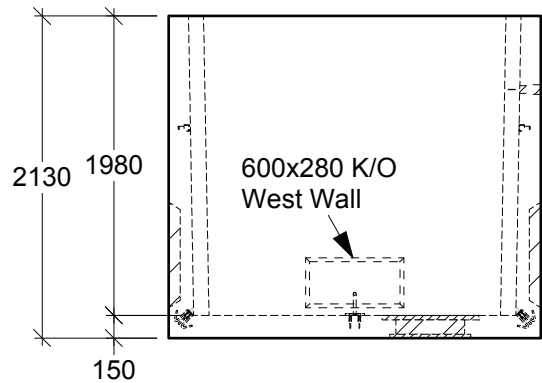


Plan View - Roof Slab

Optional:
Lwt Aluminum Lids



Side View



End View

General Notes:

- Product manufactured in accordance with CSA A23.4
- Lift Points Provided (See Shop Drawing for Quantity & Locations)
- Steel Products manufactured under CSA W47.1 in accordance to CSA W59
- Site Installation, Backfilling & Suitability for Use is the responsibility of others



19060 - 54th Avenue
Surrey, B.C. V3S 8E5

Tel (604) 576-1808
info@aeconcrete.com

Switchgear Chamber Vista 5-Way (332120)

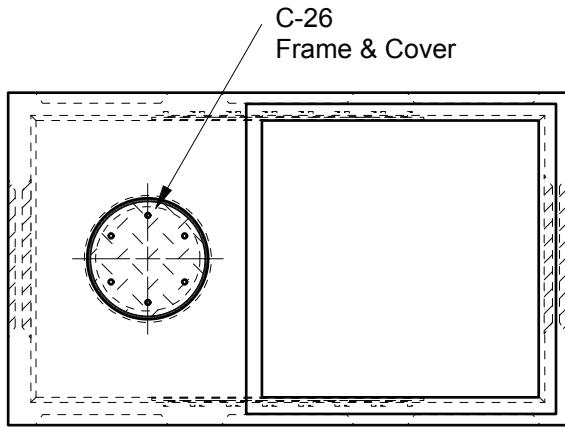
(BCH Stk# 96005803)

Chamber: 26,350 lbs / 11,950 kgs
 Roof Slab: 13,000 lbs / 5,900 kgs

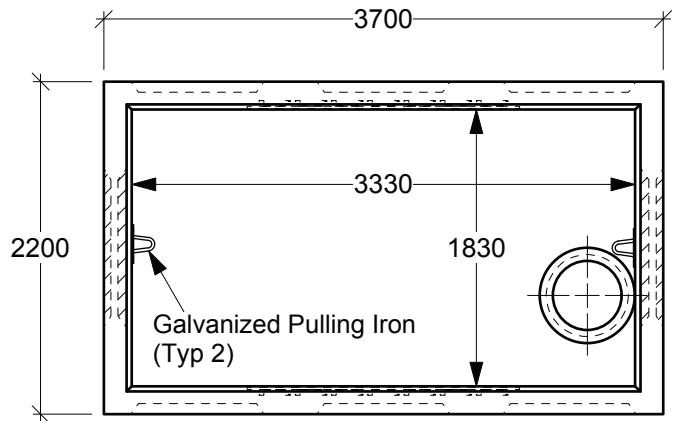
Scale: 1:50 mm

Rev: 16Oct08

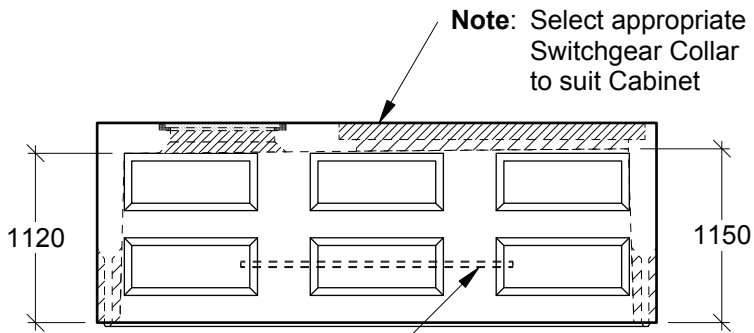
Dwg#: **SVHZ-N2-VIST5-C**



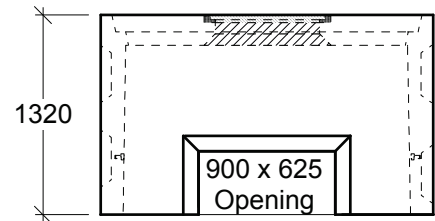
Plan View - Top



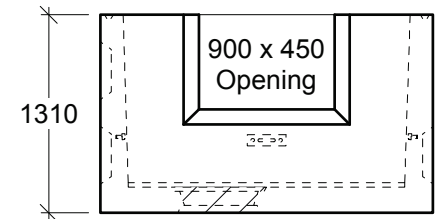
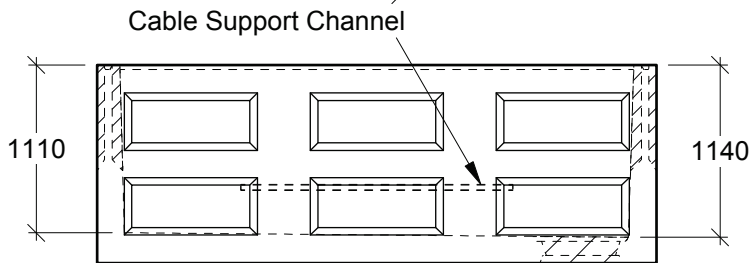
Plan View - Bottom



Side View



End View



General Notes:

- Product manufactured in accordance with CSA A23.4
- Lift Points Provided (See Shop Drawing for Quantity & Locations)
- Design and Provision of Thrust Blocks is the responsibility of others
- Site Installation, Backfilling & Suitability for Use is the responsibility of others



19060 - 54th Avenue
Surrey, B.C. V3S 8E5

Tel (604) 576-1808
info@aeconcrete.com

Switchgear Manhole Chamber

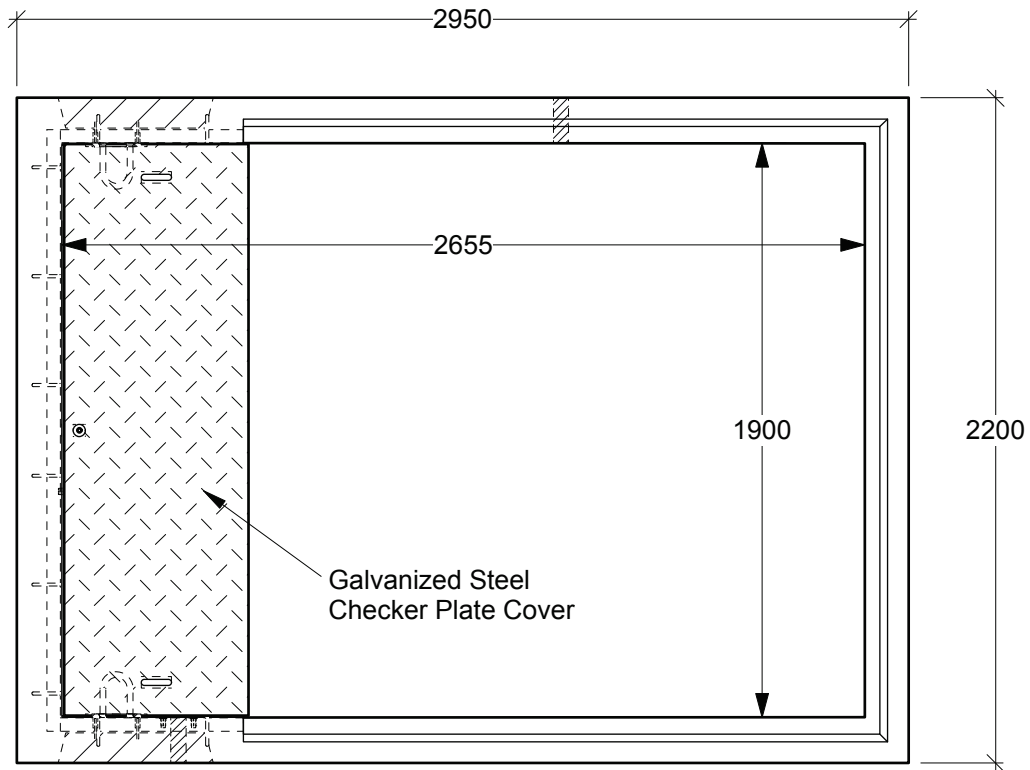
(BCH Stk# 350-8540)

Top: 14,310 lbs / 6,500 kgs
Btm: 17,850 lbs / 8,100 kgs

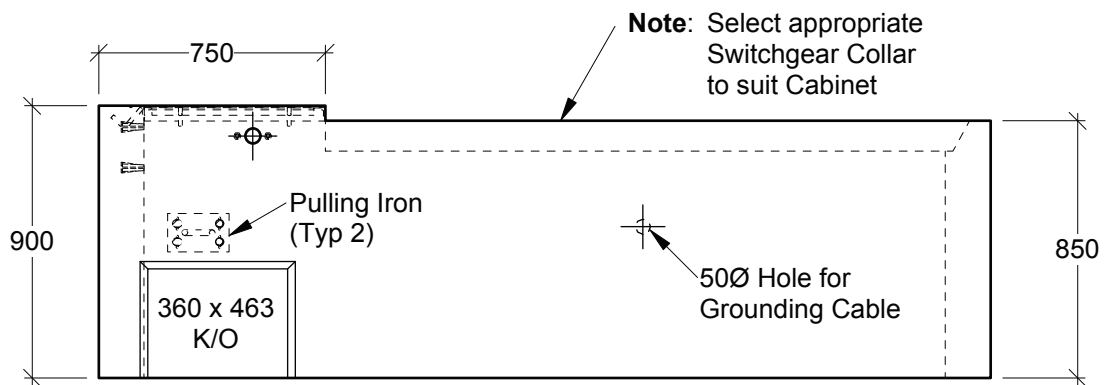
Scale: 1:50 mm

Rev: 28Jun08

Dwg#: **SVHZ-20-SGMH-C**



Plan View



Side View

General Notes:

- Product manufactured in accordance with CSA A23.4
- Lift Points Provided (See Shop Drawing for Quantity & Locations)
- Steel Products manufactured under CSA W47.1 in accordance to CSA W59
- Site Installation, Backfilling & Suitability for Use is the responsibility of others



19060 - 54th Avenue
Surrey, B.C. V3S 8E5

Tel (604) 576-1808
info@aeconcrete.com

Switchgear Pad MK II

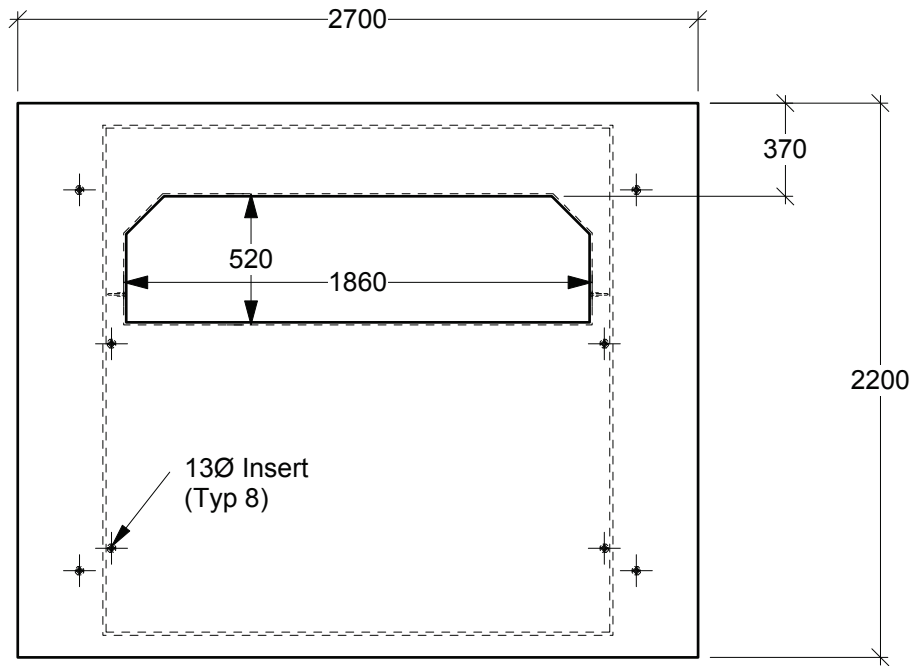
(BCH Dwg# ES54 E2-02, BCH Stk# 350-8537)

Pad: 6,850 lbs / 3,110 kgs

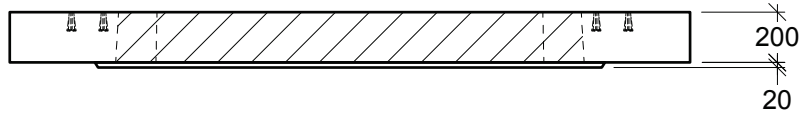
Scale: 1:25 mm

Rev: 28Jun08

Dwg#: **HPAD-N9-SWIT-C**



Plan View



Side View

General Notes:

- Product manufactured in accordance with CSA A23.4
- Lift Points Provided (See Shop Drawing for Quantity & Locations)
- Site Installation, Backfilling & Suitability for Use is the responsibility of others



19060 - 54th Avenue
Surrey, B.C. V3S 8E5

Tel (604) 576-1808
info@aeconcrete.com

Switchgear Collar Vista 5-Way (25 kVA 3Ø)

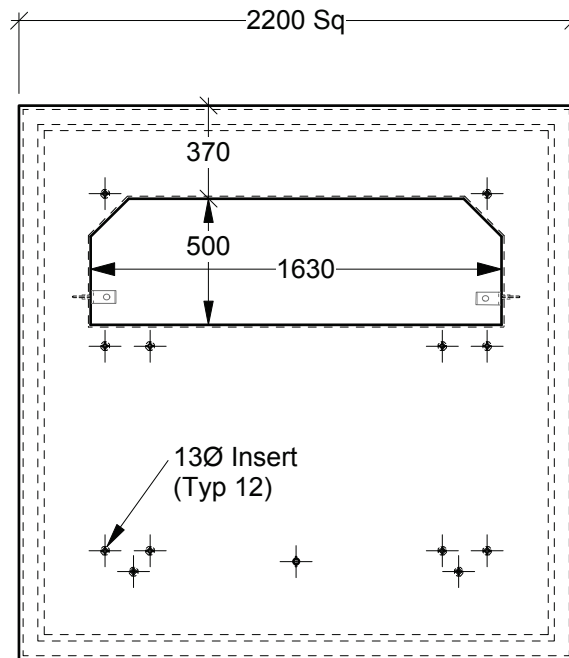
(BCH Stk# 96016084)

Collar: 5,950 lbs / 2,700 kgs

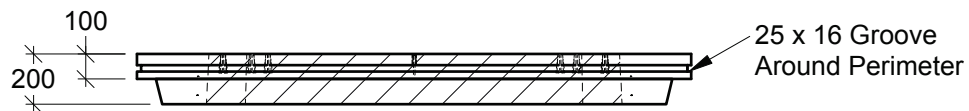
Scale: 1:30 mm

Rev: 01Apr14

Dwg#: **HPAD-52-5WAY-C**



Plan View



Side View

General Notes:

- Product manufactured in accordance with CSA A23.4
- Lift Points Provided (See Shop Drawing for Quantity & Locations)
- Site Installation, Backfilling & Suitability for Use is the responsibility of others



19060 - 54th Avenue
Surrey, B.C. V3S 8E5

Tel (604) 576-1808
info@aeconcrete.com

Switchgear Collar Vista (25 kVA 3Ø)

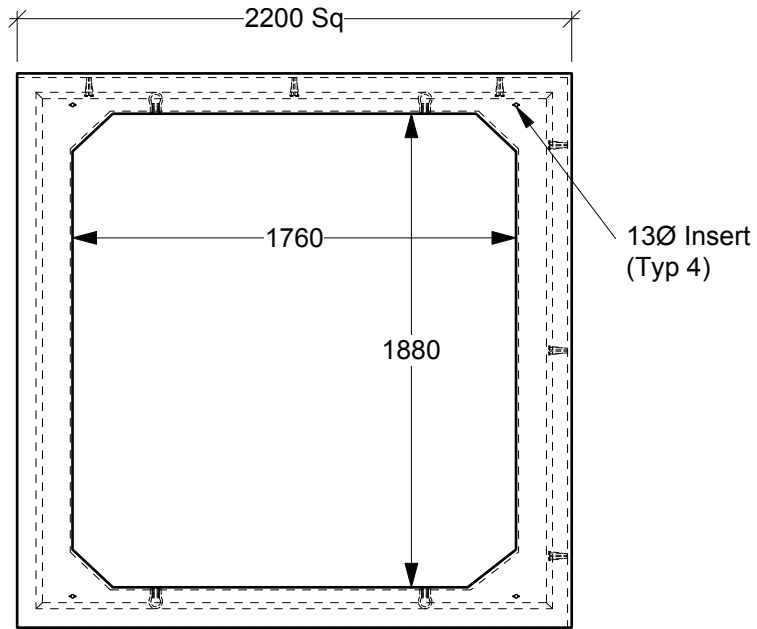
(BCH Stk# 350-8536)

Collar: 4,070 lbs / 1,850 kgs

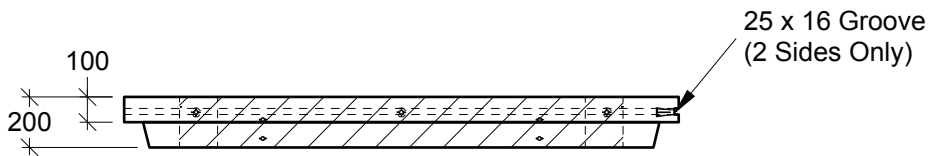
Scale: 1:30 mm

Rev: 28Jun08

Dwg#: **HPAD-52-VIST-C**



Plan View



Side View

General Notes:

- Product manufactured in accordance with CSA A23.4
- Lift Points Provided (See Shop Drawing for Quantity & Locations)
- Site Installation, Backfilling & Suitability for Use is the responsibility of others



19060 - 54th Avenue
Surrey, B.C. V3S 8E5

Tel (604) 576-1808
info@aeconcrete.com

Switchgear Collar 25 kV

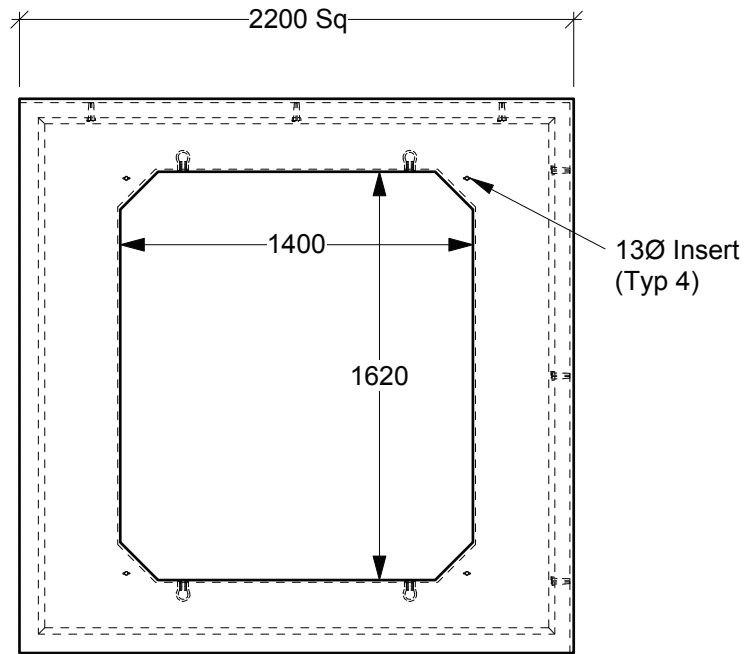
(BCH Stk# 350-8539)

Collar: 1,310 lbs / 595 kgs

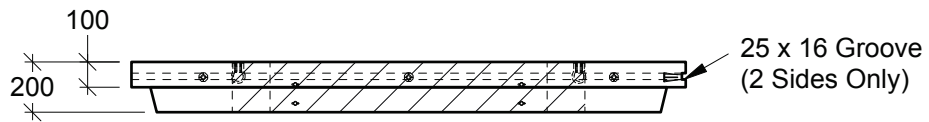
Scale: 1:30 mm

Rev: 10Jun15

Dwg#: **HPAD-58-0025-C**



Plan View



Side View

General Notes:

- Product manufactured in accordance with CSA A23.4
- Lift Points Provided (See Shop Drawing for Quantity & Locations)
- Site Installation, Backfilling & Suitability for Use is the responsibility of others



19060 - 54th Avenue
Surrey, B.C. V3S 8E5

Tel (604) 576-1808
info@aeconcrete.com

Switchgear Collar 12.5 kV

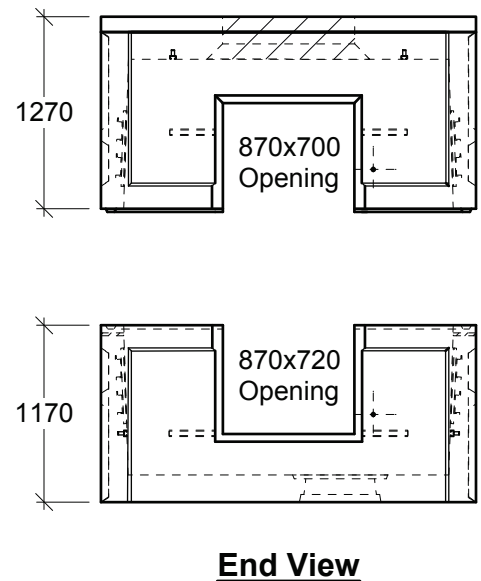
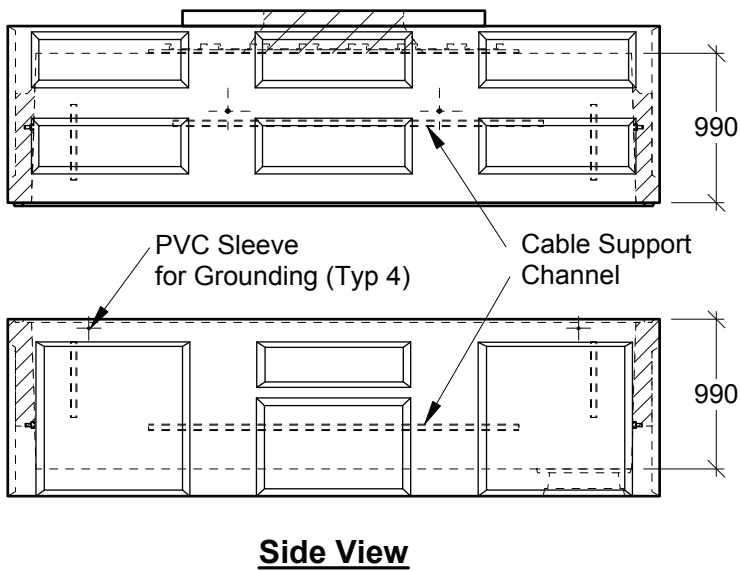
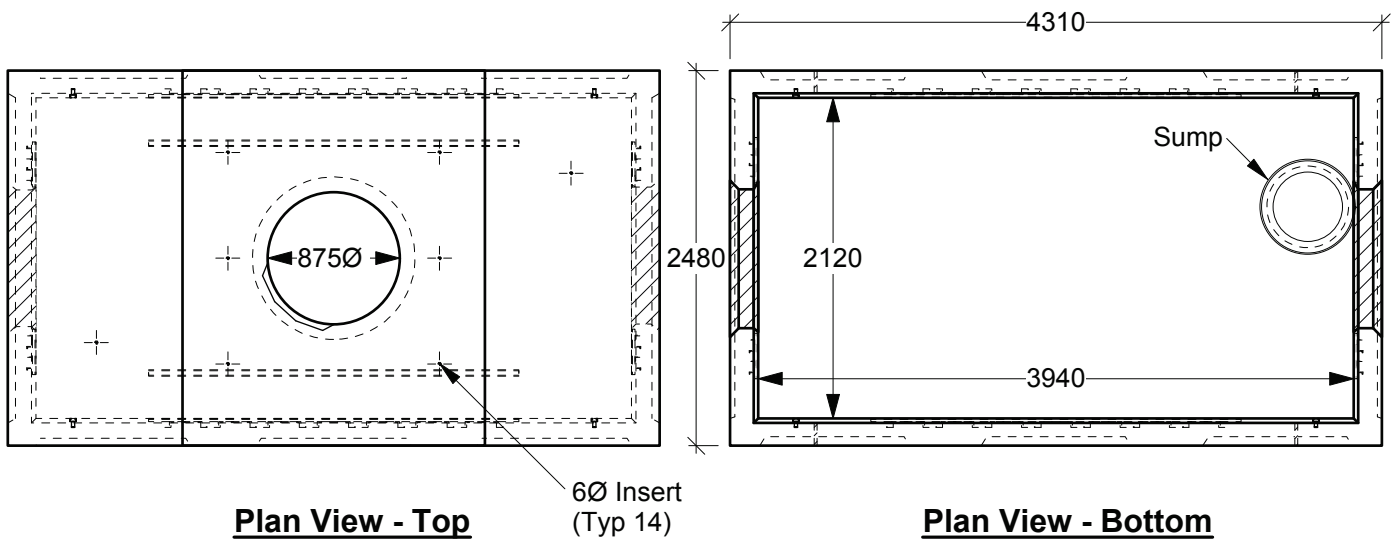
(BCH Stk# 350-8538)

Collar: 2,470 lbs / 1,120 kgs

Scale: 1:30 mm

Rev: 28Jun08

Dwg#: **HPAD-58-0125-C**



General Notes:

- Product manufactured in accordance with CSA A23.4
- Lift Points Provided (See Shop Drawing for Quantity & Locations)
- Designed for Roadway Use - H-20 Traffic Loading
- Site Installation, Backfilling & Suitability for Use is the responsibility of others



19060 - 54th Avenue
Surrey, B.C. V3S 8E5

Tel (604) 576-1808
info@aeconcrete.com

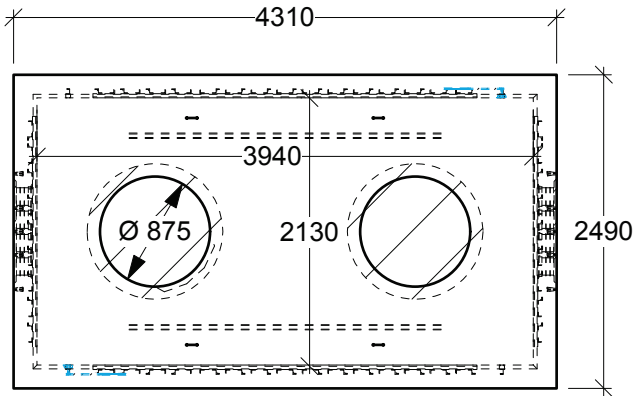
4212 BCH C1 Thru Type Manhole Chamber
(BCH Stk# 400-0478)

Top: 20,120 lbs / 9,130 kgs
Btm: 18,200 lbs / 8,260 kgs

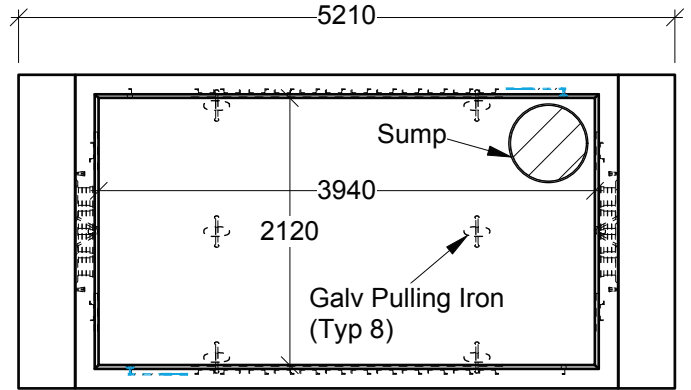
Scale: 1:50 mm

Rev: 28Jun08

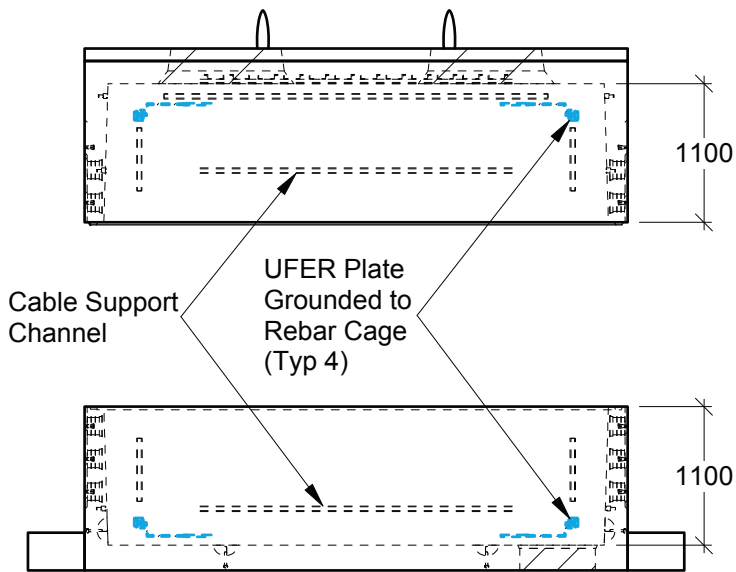
Dwg#: **SVHZ-N1-4212-C**



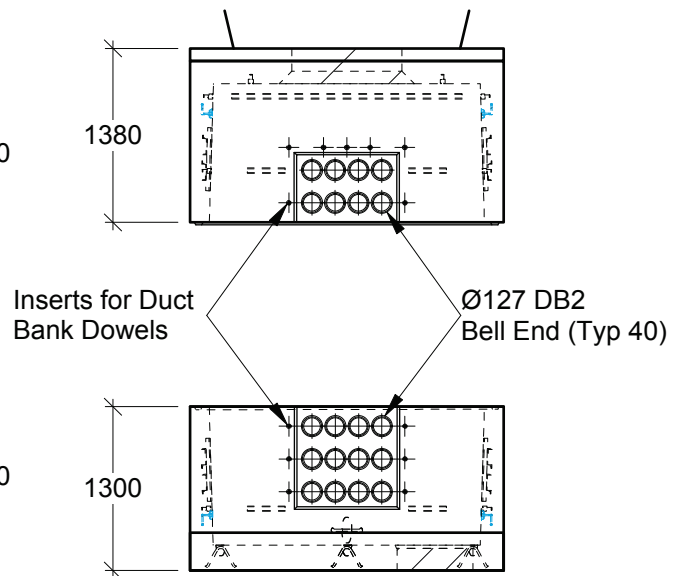
Plan View-Top



Plan View-Bottom



Side View



End View

General Notes:

- Product manufactured in accordance with CSA A23.4
- Lift Points Provided (See Shop Drawing for Quantity & Locations)
- Designed for Roadway Use - CSA S6 & BC Hydro Design Standard ES54 U1-02 R3
- Site Installation, Backfilling & Suitability for Use is the responsibility of others



19060 - 54th Avenue
Surrey, B.C. V3S 8E5

Tel (604) 576-1808
info@aeconcrete.com

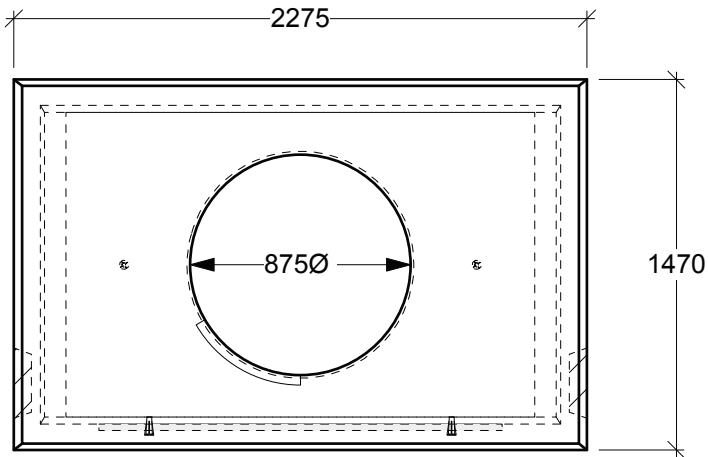
402122 BCH C1 Thru Type Double Manhole Chamber
(BCH Stk# 96022513)

Top: 28,100 lbs / 12,750 kgs
Btm: 28,500 lbs / 12,930 kgs

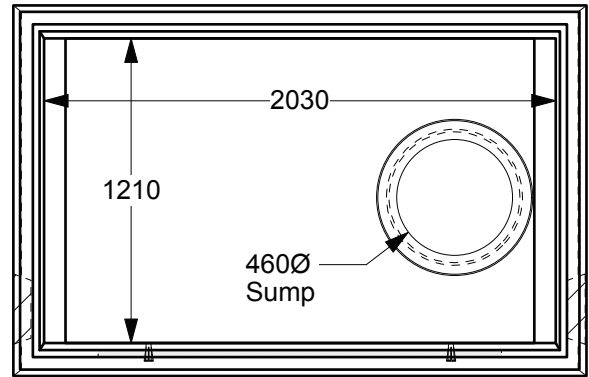
Scale: 1:60 mm

Rev:

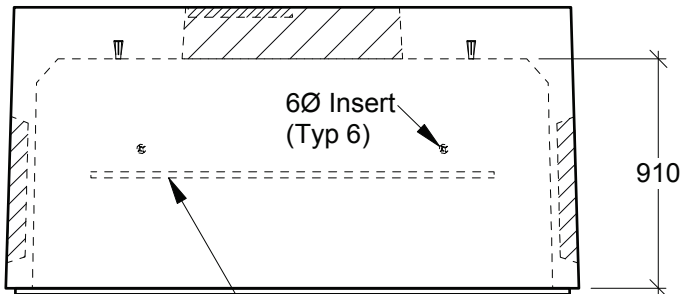
Dwg#: **SVHZ-N1-402122-C**



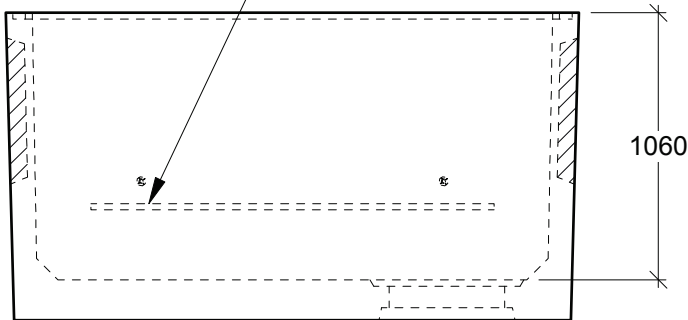
Plan View - Top



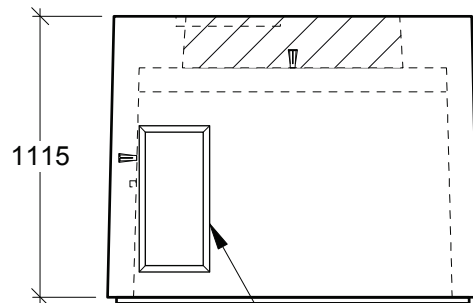
Plan View - Bottom



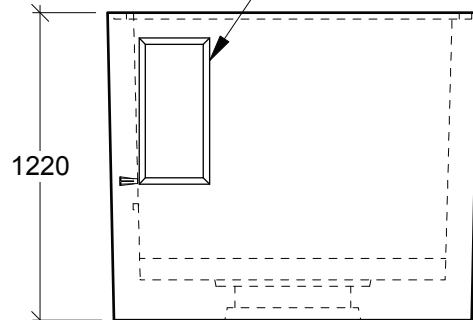
Cable Support Channel



Side View



230 x 530 K/O



End View

General Notes:

- Product manufactured in accordance with CSA A23.4
- Lift Points Provided (See Shop Drawing for Quantity & Locations)
- Designed for Roadway Use - H-20 Traffic Loading
- Site Installation, Backfilling & Suitability for Use is the responsibility of others



19060 - 54th Avenue
Surrey, B.C. V3S 8E5

Tel (604) 576-1808
info@aeconcrete.com

BCH 2122 Mini Manhole Chamber

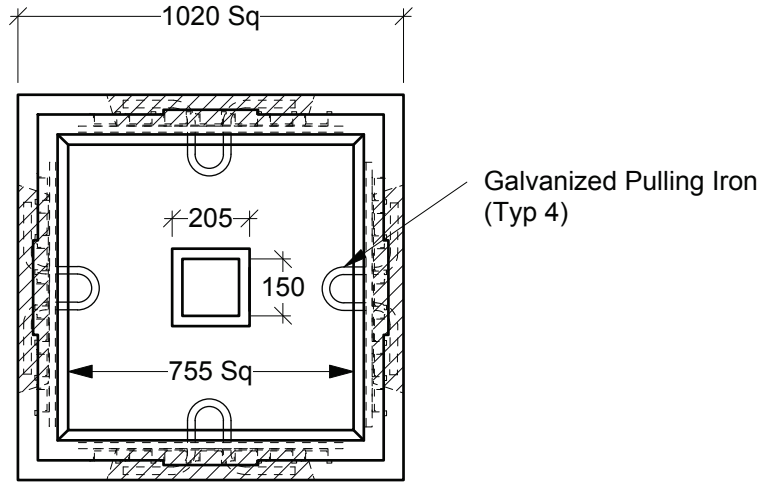
(BCH Stk# 400-0479)

Top: 6,510 lbs / 2,960 kgs
Btm: 6,640 lbs / 3,020 kgs

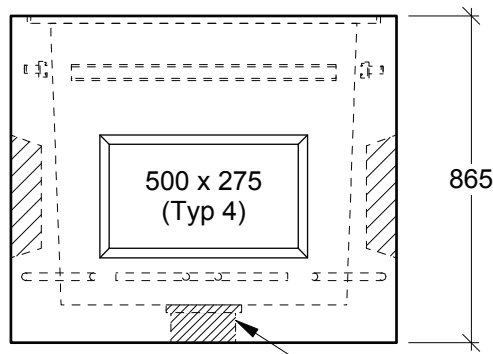
Scale: 1:30 mm

Rev: 28Jun08

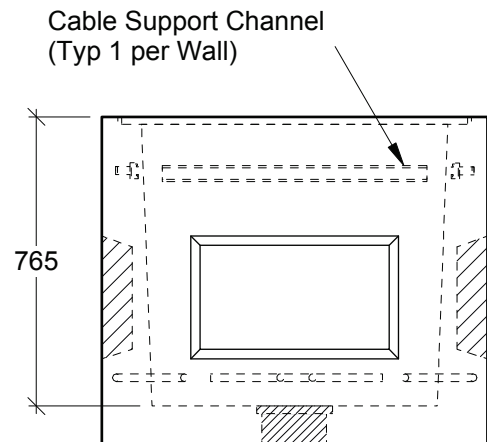
Dwg#: **SVHZ-N1-2122-C**



Plan View



Side View



End View

General Notes:

- Product manufactured in accordance with CSA A23.4
- Lift Points Provided (See Shop Drawing for Quantity & Locations)
- Designed for Roadway Use - H-20 Traffic Loading
- Site Installation, Backfilling & Suitability for Use is the responsibility of others



19060 - 54th Avenue
Surrey, B.C. V3S 8E5

Tel (604) 576-1808
info@aeconcrete.com

4040 Service Vault

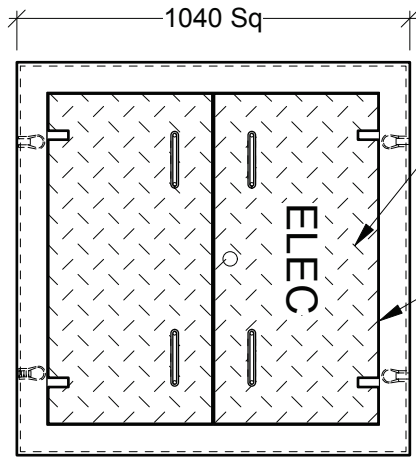
(Alternate to MoTH Dwg# SP635-1.3.3 & BCH Dwg# ES54 B2-02, Stock# 400-0450)

Box: 2,260 lbs / 1,030 kgs

Scale: 1:20 mm

Rev: 19Jan16

Dwg#: **SVZZ-2B-4040-C**



Painted Black, Bolt-down, Steel Checker Plate Lids
Options: Galvanizing, Padlock Recess
 Remote Reader Holes
 Weld Marking e.g. "ELEC"

Galvanized
 Steel Frame

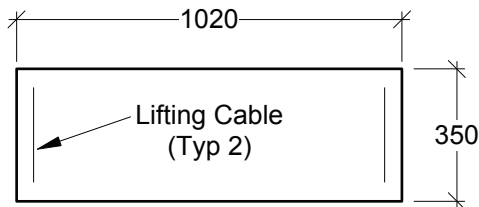
Plan View



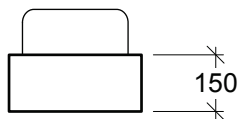
Side View

480 lbs / 218 kgs

(A) Boulevard (Off Road) Use Hatch



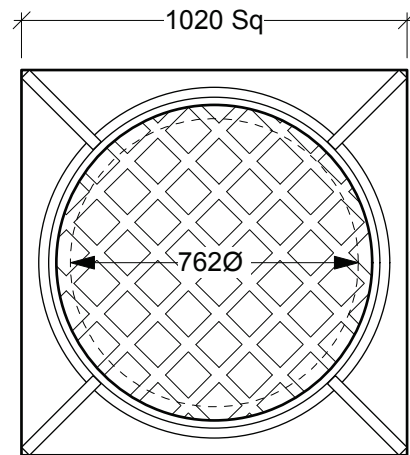
Plan View



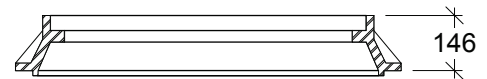
End View

(Typ 3 Required)
 300 lbs / 136 kgs Each

(B) Boulevard (Off Road) Use - Direct Bury



Plan View



Side View

C-23SF / C-23A
 Cast Iron Frame and Cover
 580 lbs / 263 kgs

(C) Roadway Use H-20 Traffic Loading

General Notes:

- Product manufactured in accordance with CSA A23.4
- Lift Points Provided (See Shop Drawing for Quantity & Locations)
- Steel Products manufactured under CSA W47.1 in accordance to CSA W59
- Site Installation, Backfilling & Suitability for Use is the responsibility of others



19060 - 54th Avenue
 Surrey, B.C. V3S 8E5

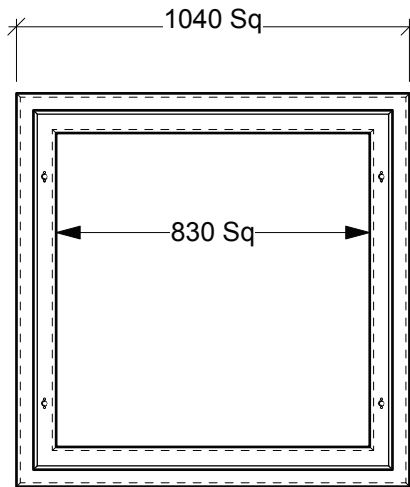
Tel (604) 576-1808
 info@aeconcrete.com

4040 Service Vault Covers

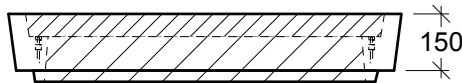
Scale: 1:20 mm

Rev: 28Jun08

Dwg#: **SVHZ-LIDS-4040-C**



Plan View



Side View

General Notes:

- Product manufactured in accordance with CSA A23.4
- Lift Points Provided (See Shop Drawing for Quantity & Locations)
- Site Installation, Backfilling & Suitability for Use is the responsibility of others



19060 - 54th Avenue
Surrey, B.C. V3S 8E5

Tel (604) 576-1808
info@aeconcrete.com

4040 Service Vault Riser 150 High

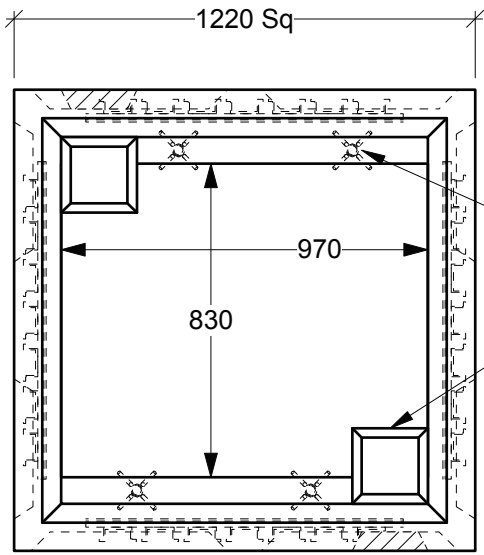
Riser: 260 lbs / 120 kgs

Scale: 1:20 mm

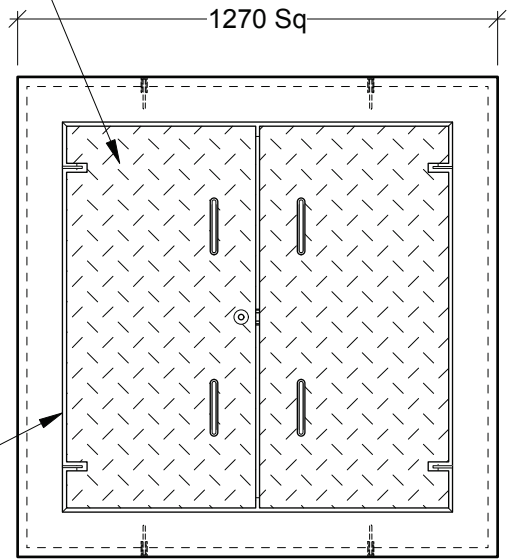
Rev: 28Jun08

Dwg#: **SVZZ-C2-4040-C**

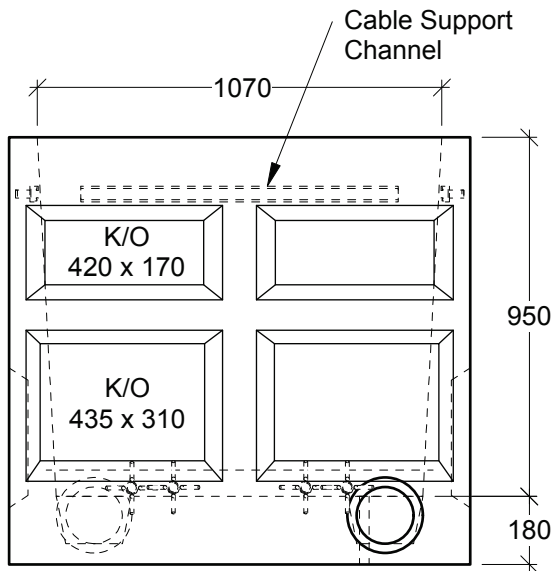
Painted Black, Bolt-down, Steel Checker Plate Lids
Options: Galvanizing, Padlock Recess
 Remote Reader Holes
 Weld Marking e.g. "ELEC"



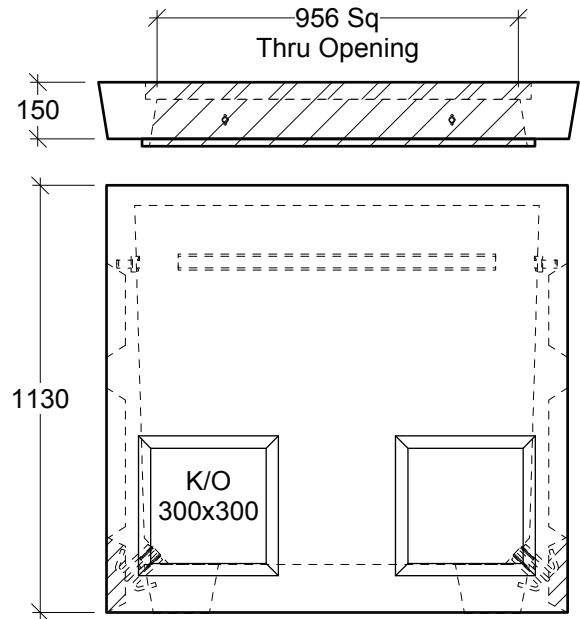
Plan View - Vault



Plan View - Collar



Side View



End View

General Notes:

- Product manufactured in accordance with CSA A23.4
- Lift Points Provided (See Shop Drawing for Quantity & Locations)
- Designed for Boulevard (Off-Road) Use - H-20 Static Loading
- Steel Products manufactured under CSA W47.1 in accordance to CSA W59
- Site Installation, Backfilling & Suitability for Use is the responsibility of others



19060 - 54th Avenue
 Surrey, B.C. V3S 8E5
 Tel (604) 576-1808
 info@aeconcrete.com

1.2m Electrical Vault & Collar

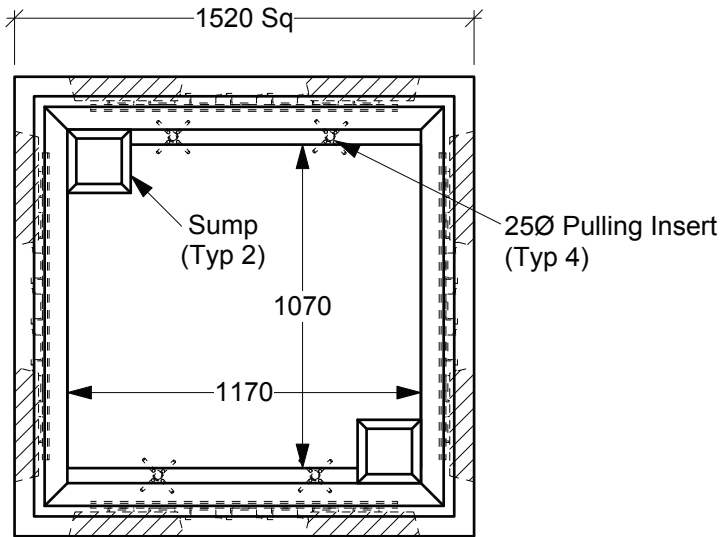
(Alternate for BCH Dwg. No. ES54 D2-01.01, BCH Stock # 400-0911)

Vault: 3,410 lbs / 1,550 kgs
 Collar: 720 lbs / 330 kgs

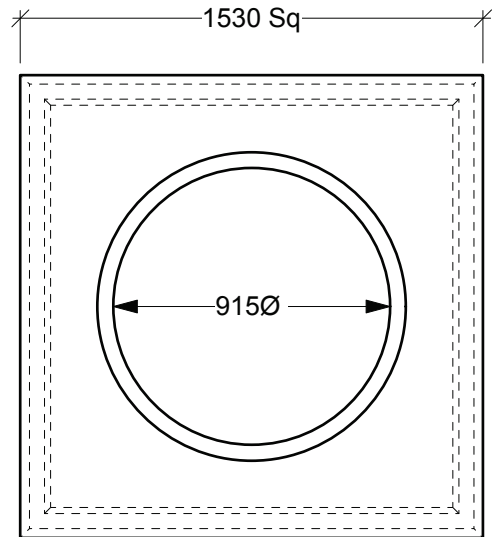
Scale: 1:20 mm

Rev: 28Jun08

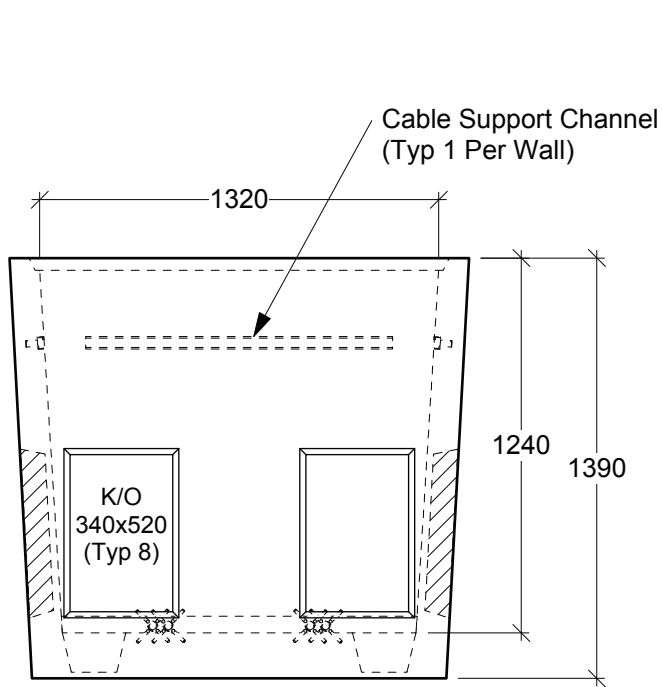
Dwg#: **SVHZ-20-1200-C**



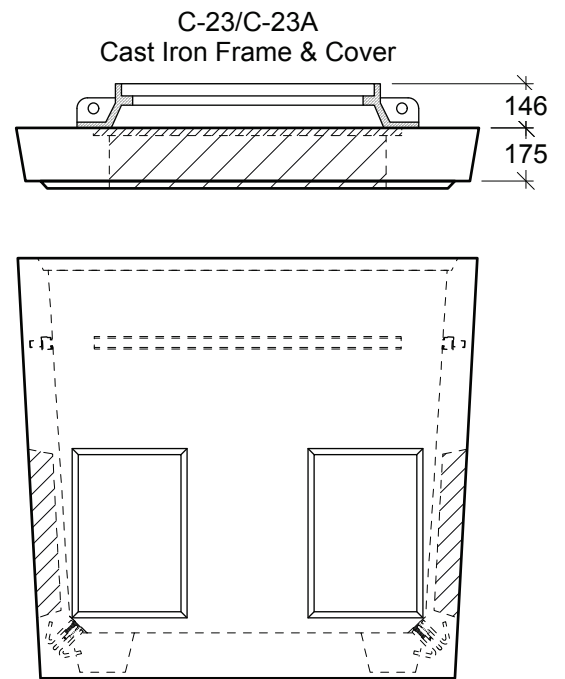
Plan View - Vault



Plan View - Roof Slab



Side View



End View

General Notes:

- Product manufactured in accordance with CSA A23.4
- Lift Points Provided (See Shop Drawing for Quantity & Locations)
- Designed for Roadway Use - H-20 Traffic Loading
- Site Installation, Backfilling & Suitability for Use is the responsibility of others



19060 - 54th Avenue
Surrey, B.C. V3S 8E5

Tel (604) 576-1808
info@aeconcrete.com

1.5m BCH Service Vault w/ MH Entry Roof Slab

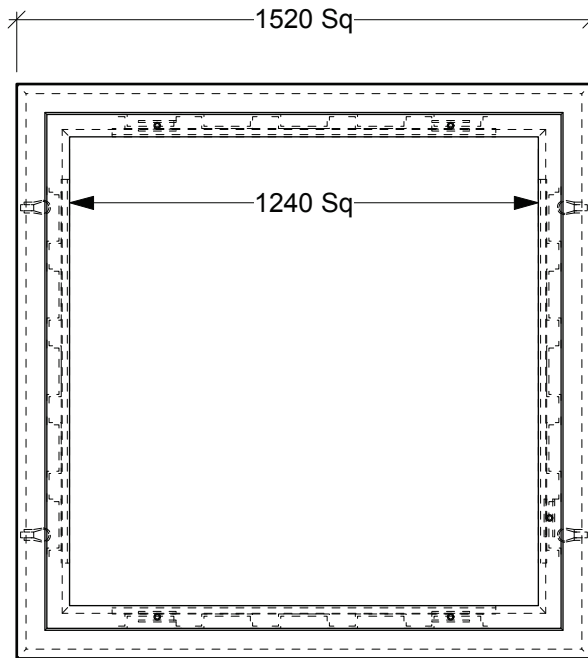
(BCH Stock# 400-0955)

Vault: 5,070 lbs / 2,300 kgs
Roof Slab: 1,610 lbs / 740 kgs

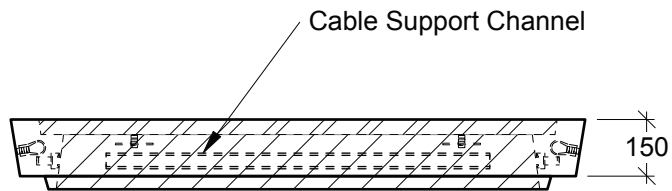
Scale: 1:25 mm

Rev: 28Jun08

Dwg#: **SVHZ-20-1500-C**



Plan View



Side View

General Notes:

- Product manufactured in accordance with CSA A23.4
- Lift Points Provided (See Shop Drawing for Quantity & Locations)
- Site Installation, Backfilling & Suitability for Use is the responsibility of others



19060 - 54th Avenue
Surrey, B.C. V3S 8E5

Tel (604) 576-1808
info@aeconcrete.com

1.5m BCH Riser 150 High

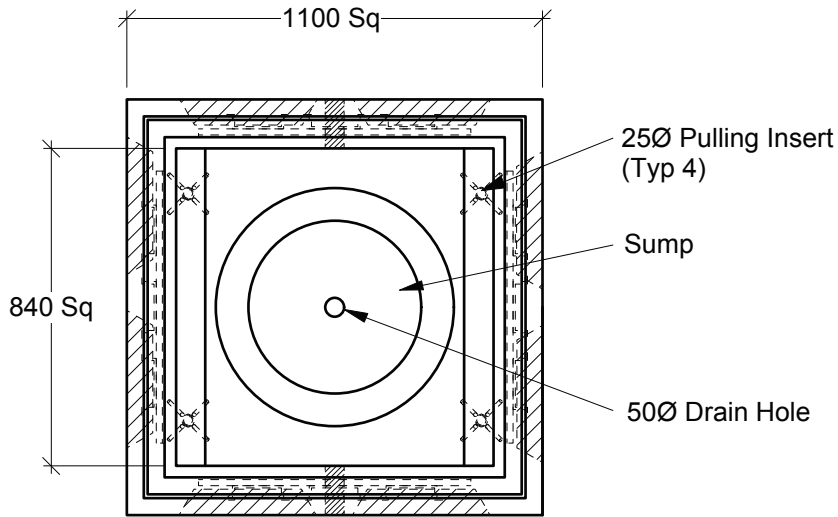
(BCH Stock# 400-0957)

Riser: 520 lbs / 240 kgs

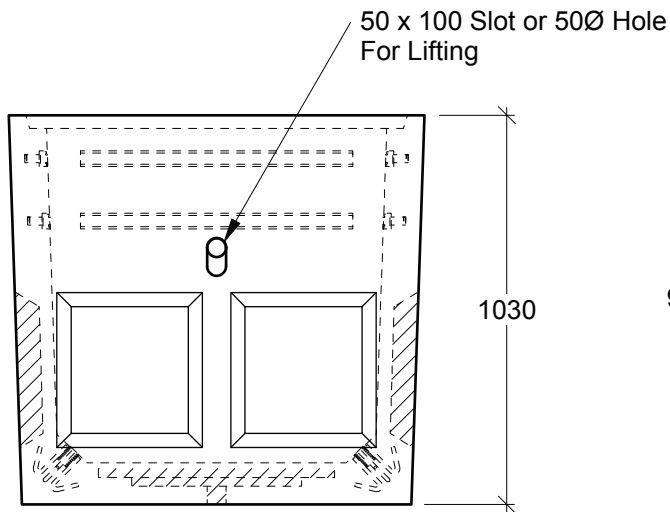
Scale: 1:20 mm

Rev: 28Jun08

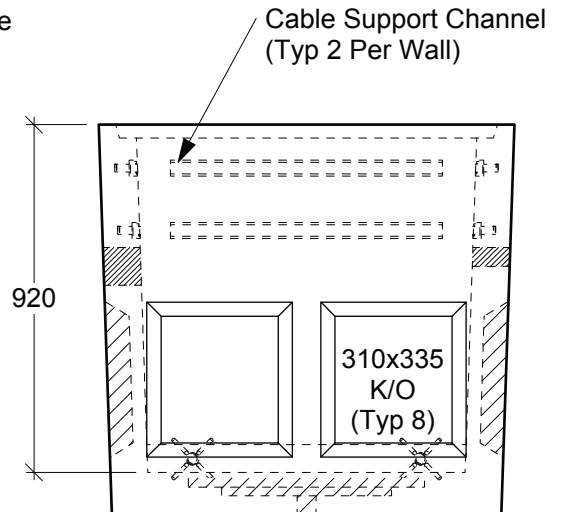
Dwg#: **SVHZ-C2-1500-C**



Plan View



Side View



End View

General Notes:

- Product manufactured in accordance with CSA A23.4
- Lift Points Provided (See Shop Drawing for Quantity & Locations)
- Designed for Roadway Use - H-20 Traffic Loading
- Site Installation, Backfilling & Suitability for Use is the responsibility of others



19060 - 54th Avenue
Surrey, B.C. V3S 8E5

Tel (604) 576-1808
info@aeconcrete.com

332 BCH Service Vault

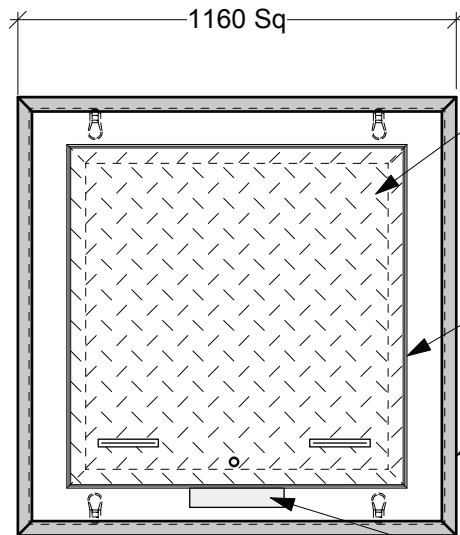
(BCH Stock# 400-0998)

Vault: 2,190 lbs / 995 kgs

Scale: 1:20 mm

Rev: 28Jun08

Dwg#: **SVHZ-20-0332-C**



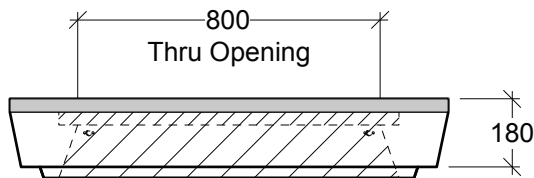
Painted Black, Bolt-down, Steel Checker Plate Lids
Options: Galvanizing, Padlock Recess
 Remote Reader Holes
 Weld Marking e.g. "ELEC"
 Lwt Aluminum Lids

Galvanized Steel Inner Frame.

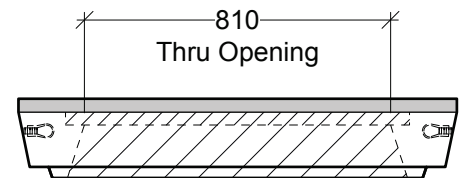
Galvanized Steel Outer Frame.

Aluminum Stamp Plate

Plan View



Side View



End View

General Notes:

- Product manufactured in accordance with CSA A23.4.
- Lift Points Provided (See Shop Drawing for Quantity & Locations).
- Designed for Boulevard (Off-Road) Use - H-20 Static Loading.
- Steel Products manufactured under CSA W47.1 in accordance to CSA W59.
- Site Installation, Backfilling & Suitability for Use is the responsibility of others.



19060 - 54th Avenue
 Surrey, B.C. V3S 8E5

Tel (604) 576-1808
 info@aeconcrete.com

332 BCH Collar & Lid Assembly

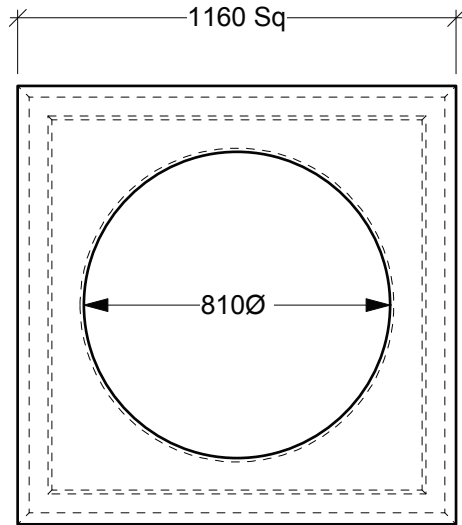
(Alternate to: BCH Stock# 400-0999)

Collar & Lid: 930 lbs / 425 kgs

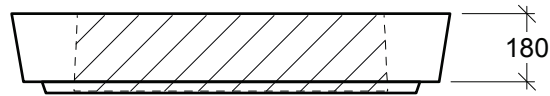
Scale: 1:20 mm

Rev: 28Jun08

Dwg#: **SVHZ-51-0332-C**



Plan View



Side View

General Notes:

- Product manufactured in accordance with CSA A23.4.
- Lift Points Provided (See Shop Drawing for Quantity & Locations).
- Designed for Roadway Use - H-20 Traffic Loading.
- Site Installation, Backfilling & Suitability for Use is the responsibility of others.



19060 - 54th Avenue
Surrey, B.C. V3S 8E5

Tel (604) 576-1808
info@aeconcrete.com

332 BCH MH Entry Roof Slab

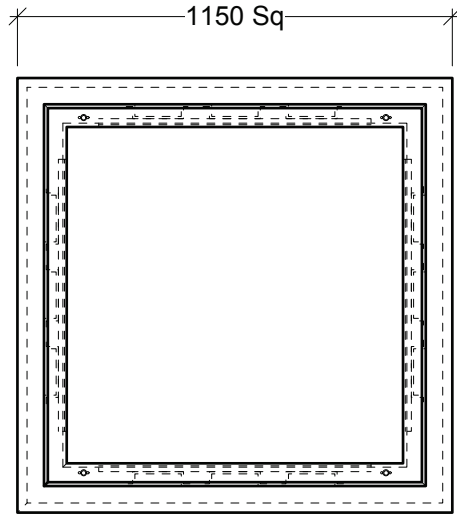
(BCH Stock# 400-0983)

Roof Slab: 830 lbs / 380 kgs

Scale: 1:20 mm

Rev: 28Jun08

Dwg#: **SVHZ-A1-0332-C**



Plan View



Side View

Cable Support Channel
(Typ 1 Per Side)

General Notes:

- Product manufactured in accordance with CSA A23.4
- Lift Points Provided (See Shop Drawing for Quantity & Locations)
- Site Installation, Backfilling & Suitability for Use is the responsibility of others



19060 - 54th Avenue
Surrey, B.C. V3S 8E5

Tel (604) 576-1808
info@aeconcrete.com

332 BCH Riser 150 High

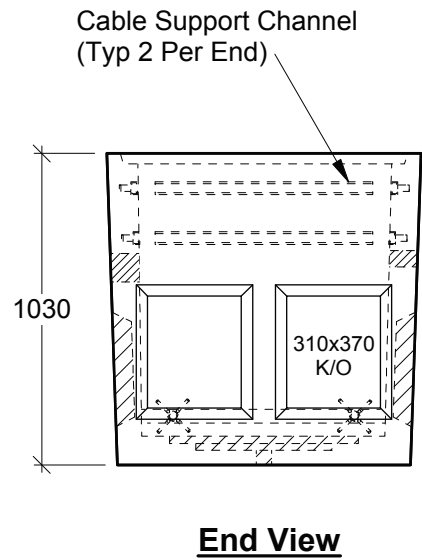
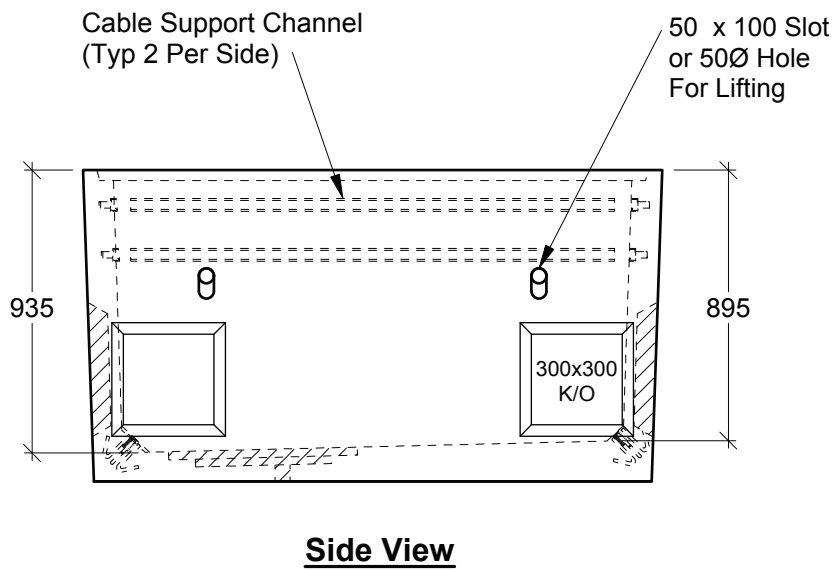
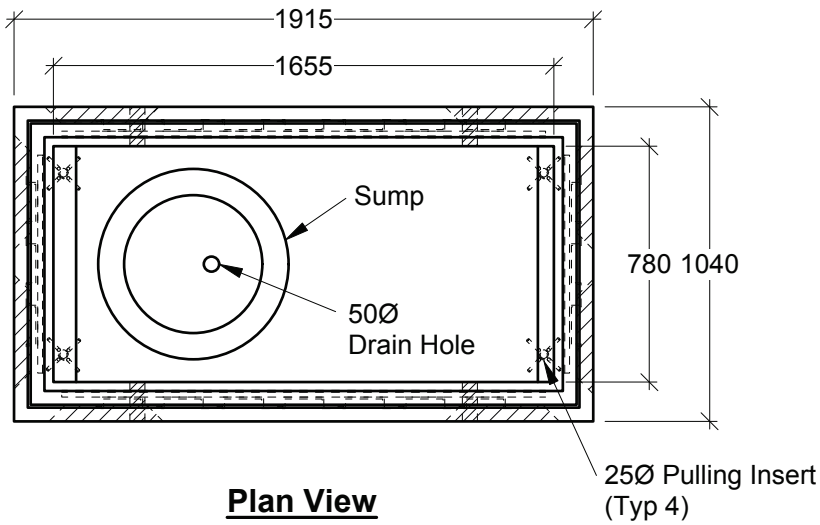
(BCH Stock# 400-0989)

Riser: 380 lbs /175 kgs

Scale: 1:20 mm

Rev: 28Jun08

Dwg#: **SVHZ-42-0332-C**



General Notes:

- Product manufactured in accordance with CSA A23.4
- Lift Points Provided (See Shop Drawing for Quantity & Locations)
- Designed for Roadway Use - H-20 Traffic Loading
- Site Installation, Backfilling & Suitability for Use is the responsibility of others



19060 - 54th Avenue
Surrey, B.C. V3S 8E5

Tel (604) 576-1808
info@aeconcrete.com

632 BCH Service Vault

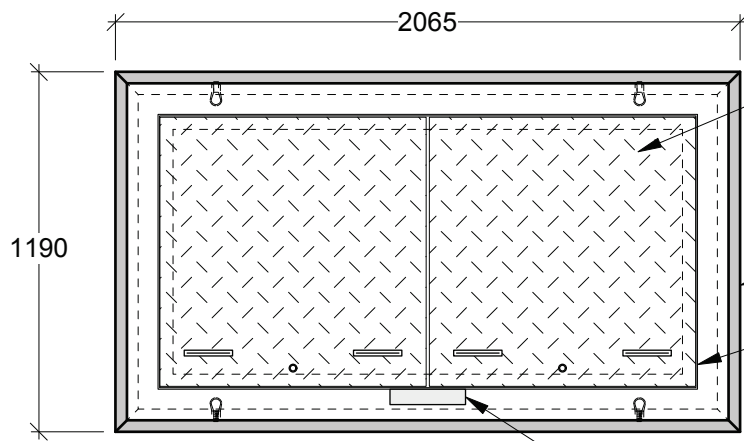
(BCH Stock# 400-0995)

Vault: 3,425 lbs / 1,555 kgs

Scale: 1:25 mm

Rev: 22Jul13

Dwg#: **SVHZ-20-0632-C**



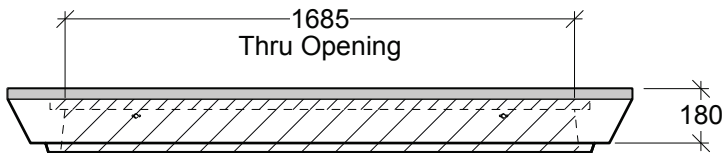
Plan View

Painted Black, Bolt-down,
Steel Checker Plate Lids
Options: Galvanizing, Padlock Recess
Remote Reader Holes
Weld Marking e.g. "ELEC"
Lwt Aluminum Lid

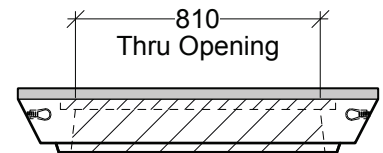
Galvanized Steel Outer Frame

Galvanized Steel Inner Frame

Aluminum
Stamp Plate



Side View



End View

General Notes:

- Product manufactured in accordance with CSA A23.4
- Lift Points Provided (See Shop Drawing for Quantity & Locations)
- Designed for Boulevard (Off-Road) Use - H-20 Static Loading
- Steel Products manufactured under CSA W47.1 in accordance to CSA W59
- Site Installation, Backfilling & Suitability for Use is the responsibility of others



19060 - 54th Avenue
Surrey, B.C. V3S 8E5

Tel (604) 576-1808
info@aeconcrete.com

632 BCH Collar & Lid Assembly

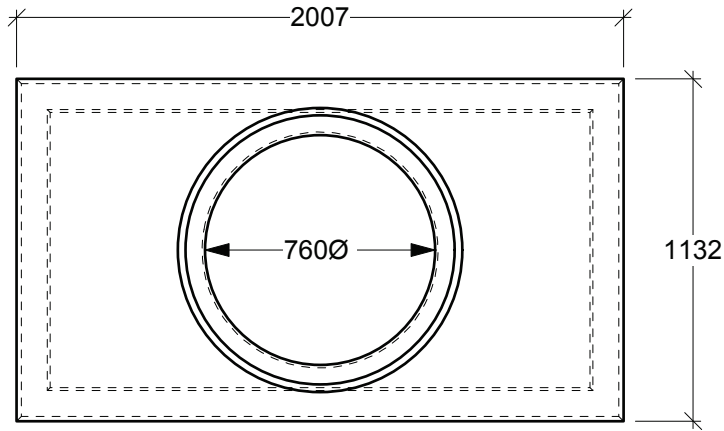
(Alternate to: BCH Stock# 400-0996)

Collar & Lid: 1,470 lbs / 670 kgs

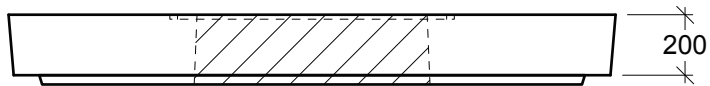
Scale: 1:25 mm

Rev: 28Jun08

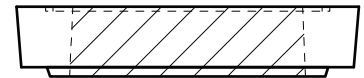
Dwg#: **SVHZ-51-0632-C**



Plan View



Side View



End View

General Notes:

- Product manufactured in accordance with CSA A23.4.
- Lift Points Provided (See Shop Drawing for Quantity & Locations).
- Designed for Roadway Use - H-20 Traffic Loading.
- Site Installation, Backfilling & Suitability for Use is the responsibility of others.



19060 - 54th Avenue
Surrey, B.C. V3S 8E5

Tel (604) 576-1808
info@aeconcrete.com

632 BCH MH Entry Roof Slab

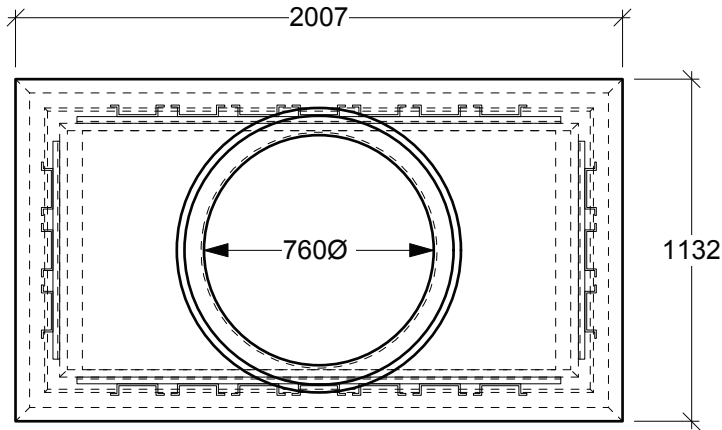
(BCH Stock# 400-0982)

Roof Slab: 1,810 lbs / 825 kgs

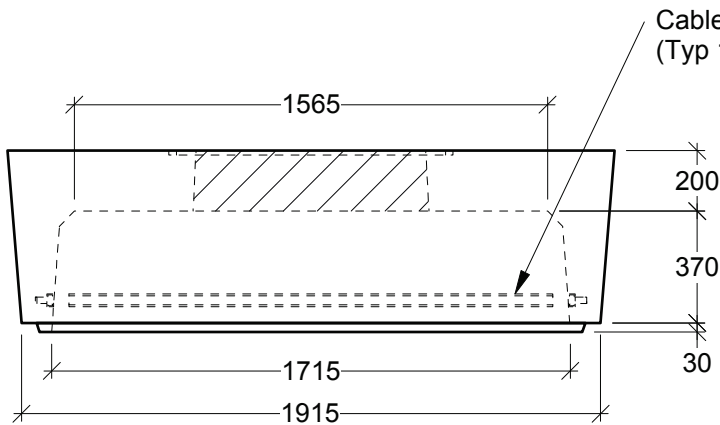
Scale: 1:25 mm

Rev: 28Jun08

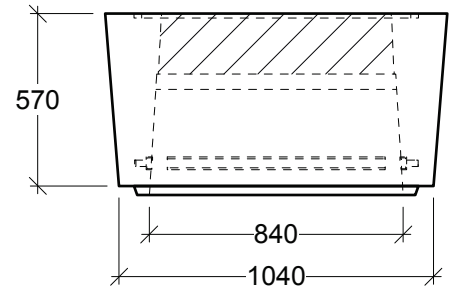
Dwg#: **SVHZ-A1-0632-C**



Plan View



Side View



End View

General Notes:

- Product manufactured in accordance with CSA A23.4.
- Lift Points Provided (See Shop Drawing for Quantity & Locations).
- Designed for Roadway Use - H-20 Traffic Loading.
- Site Installation, Backfilling & Suitability for Use is the responsibility of others.



19060 - 54th Avenue
Surrey, B.C. V3S 8E5

Tel (604) 576-1808
info@aeconcrete.com

632 BCH MH Entry Riser Roof Slab

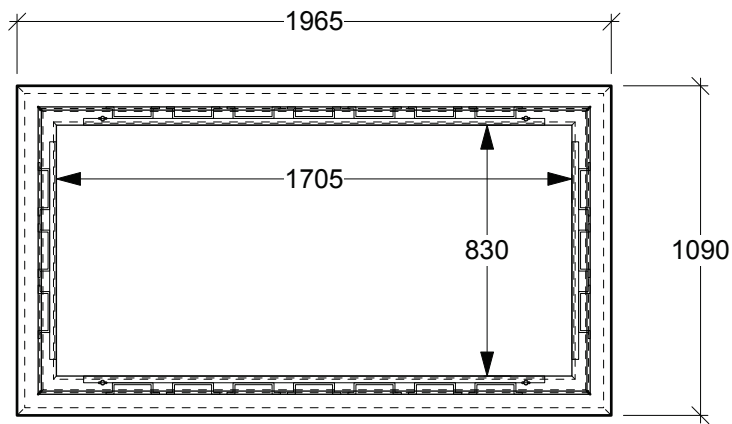
(BCH Stock# 400-0997)

Riser Roof Slab: 3,490 lbs / 1,585 kgs

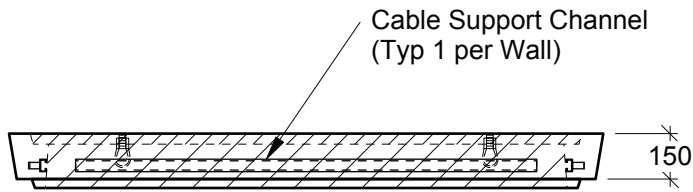
Scale: 1:25 mm

Rev: 28Jun08

Dwg#: **SVHZ-A1-R632-C**



Plan View



Side View



End View

General Notes:

- Product manufactured in accordance with CSA A23.4
- Lift Points Provided (See Shop Drawing for Quantity & Locations)
- Site Installation, Backfilling & Suitability for Use is the responsibility of others



19060 - 54th Avenue
Surrey, B.C. V3S 8E5

Tel (604) 576-1808
info@aeconcrete.com

632 BCH Riser 150 High

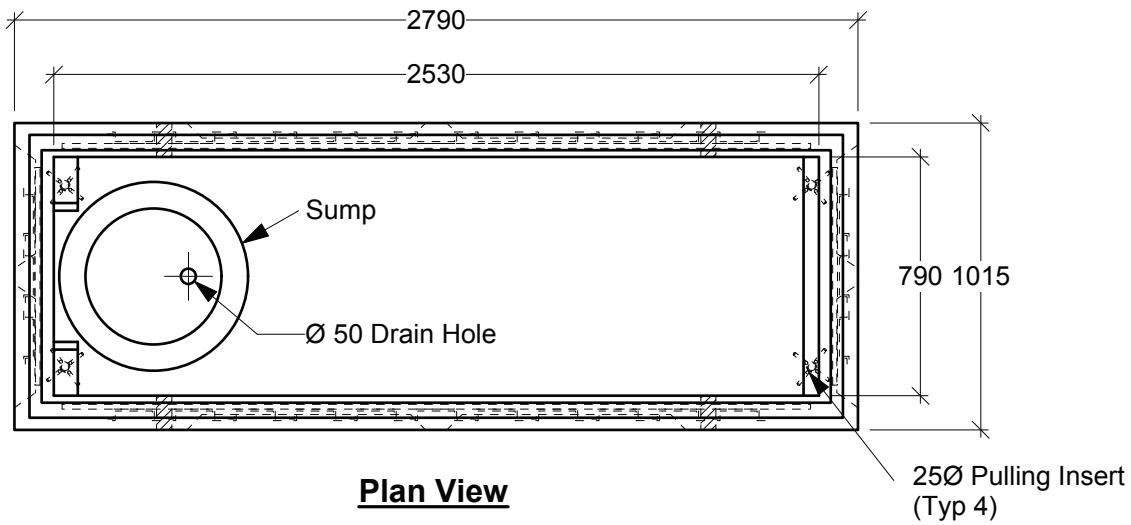
(BCH Stock# 400-0988)

Riser: 520 lbs / 235 kgs

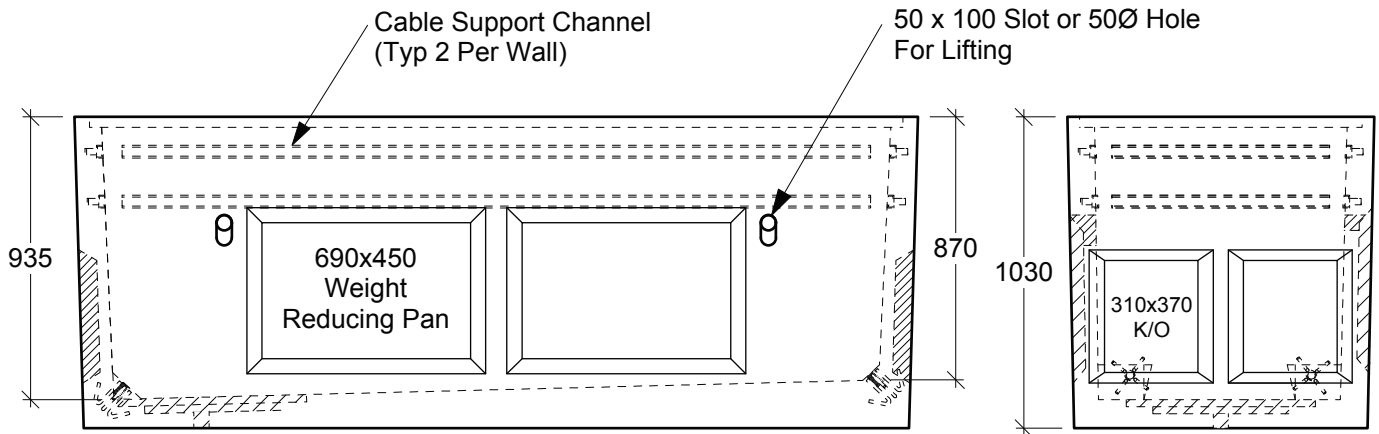
Scale: 1:25 mm

Rev: 28Jun08

Dwg#: **SVHZ-42-0632-C**



Plan View



Side View

End View

General Notes:

- Product manufactured in accordance with CSA A23.4
- Lift Points Provided (See Shop Drawing for Quantity & Locations)
- Designed for Roadway Use - H-20 Traffic Loading
- Site Installation, Backfilling & Suitability for Use is the responsibility of others



19060 - 54th Avenue
Surrey, B.C. V3S 8E5

Tel (604) 576-1808
info@aeconcrete.com

832 BCH Junction Vault

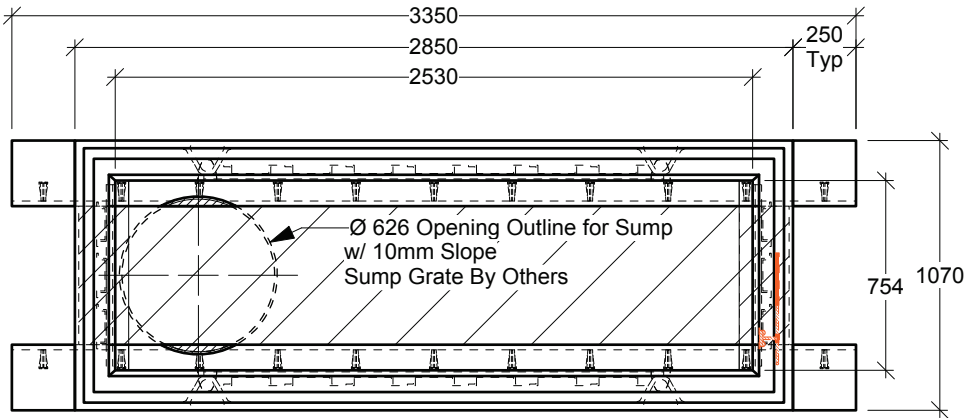
(BCH Stock# 400-0998)

Vault: 4,190 lbs / 1,900 kgs

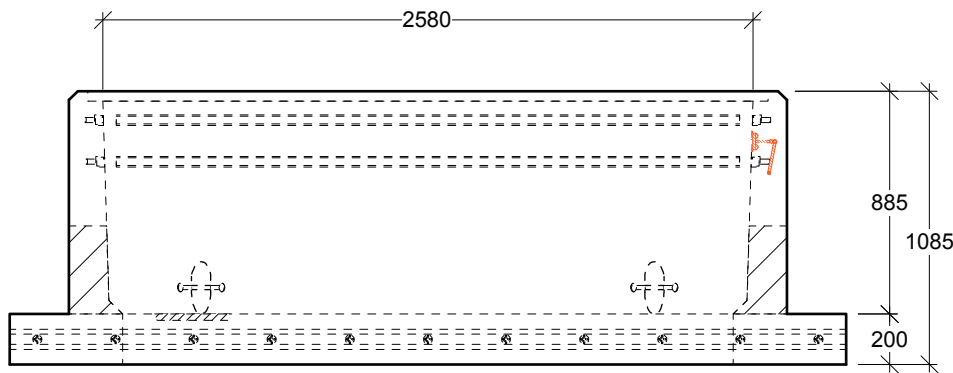
Scale: 1:25 mm

Rev: 28Jun08

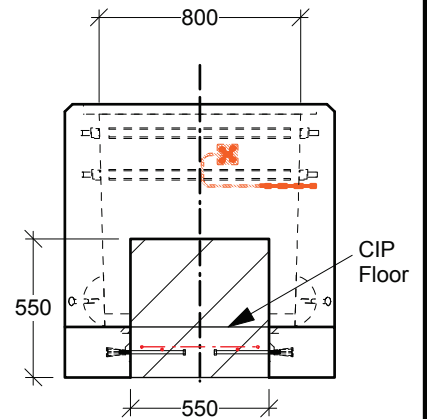
Dwg#: **SVHZ-20-0832-C**



Plan View



Side View



End View

General Notes:

- Product manufactured in accordance with CSA A23.4
- Lift Points Provided (See Shop Drawing for Quantity & Locations)
- Designed for BC Hydro Standard ES54 U1-02 R3 (2013) - Medium Duty
- Site Installation, Backfilling & Suitability for Use is the responsibility of others
- Installation of Dowels, Rebar & Pouring Floor By Others



19060 - 54th Avenue
Surrey, B.C. V3S 8E5

Tel (604) 576-1808
info@aeconcrete.com

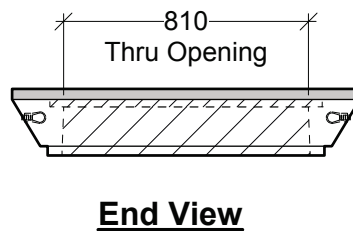
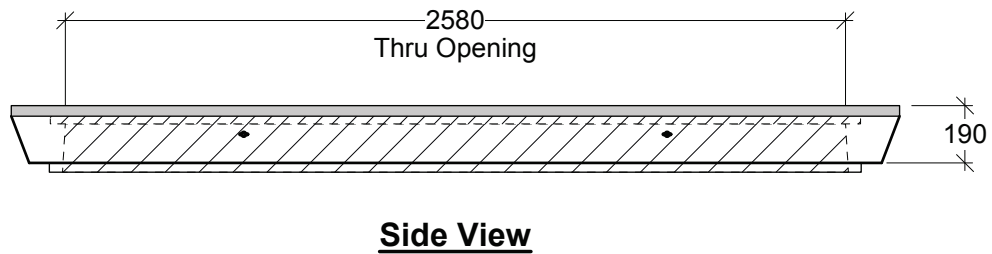
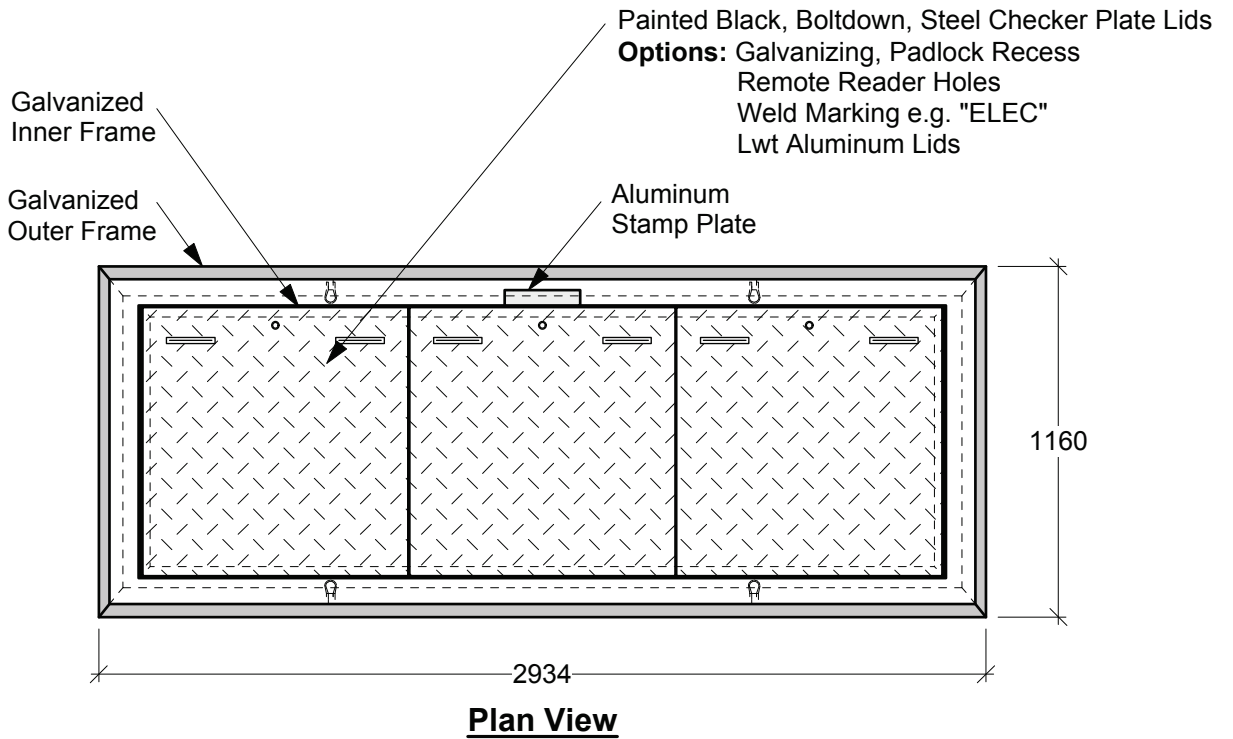
832 Elec Vault - Bottomless w/ Footing

Vault: 6,900 lbs / 3,130 kgs

Scale: 1:25 mm

Rev: 05May17

Dwg#: **SVTZ-2A-F832-C**



General Notes:

- Product manufactured in accordance with CSA A23.4
- Lift Points Provided (See Shop Drawing for Quantity & Locations)
- Designed for Boulevard (Off-Road) Use - H-20 Static Loading
- Steel Products manufactured under CSA W47.1 in accordance to CSA W59
- Site Installation, Backfilling & Suitability for Use is the responsibility of others



19060 - 54th Avenue
Surrey, B.C. V3S 8E5

Tel (604) 576-1808
info@aeconcrete.com

832 BCH Collar & Lid Assembly

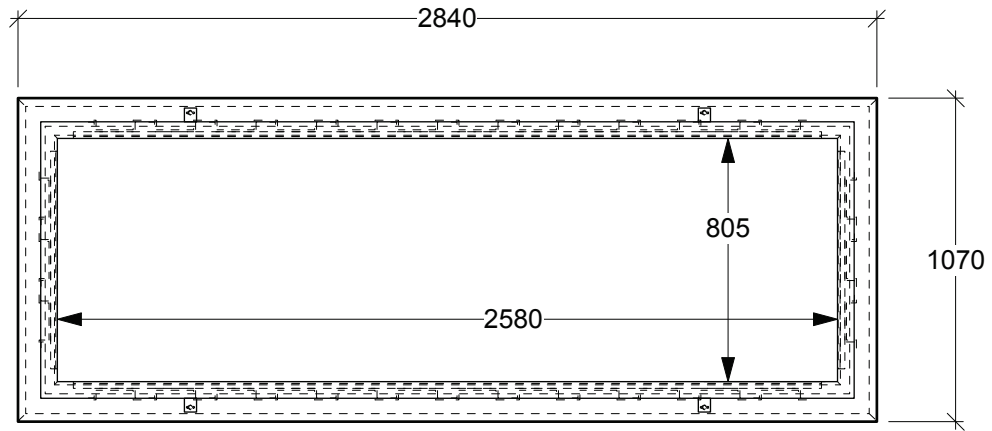
(Alternate to BCH Dwg# ES54 D3-1,01, BCH Stk# 400-0993)

Collar & Lid: 1,940 lbs / 880 kgs

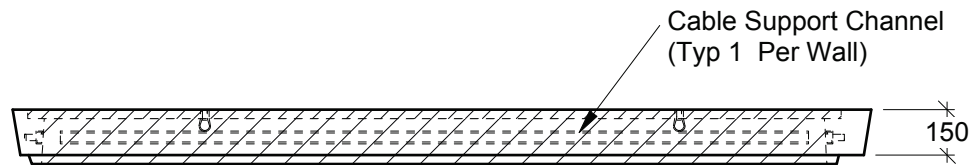
Scale: 1:25 mm

Rev: 28Jun08

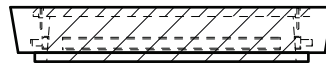
Dwg#: **SVHZ-51-0832-C**



Plan View



Side View



End View

General Notes:

- Product manufactured in accordance with CSA A23.4
- Lift Points Provided (See Shop Drawing for Quantity & Locations)
- Site Installation, Backfilling & Suitability for Use is the responsibility of others



19060 - 54th Avenue
Surrey, B.C. V3S 8E5

Tel (604) 576-1808
info@aeconcrete.com

832 BCH Riser 150 High

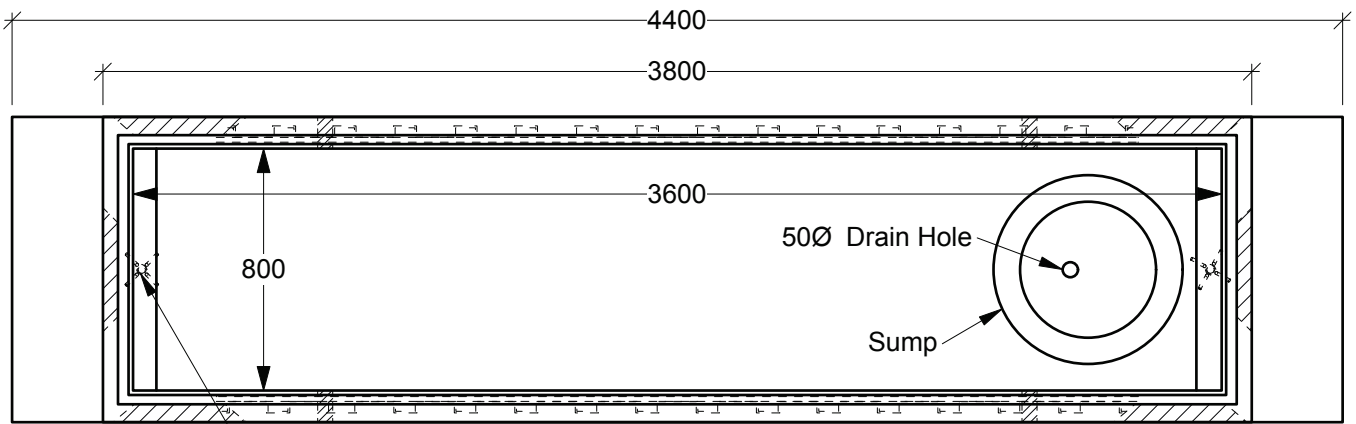
(BCH Stock# 400-0992)

Riser: 680 lbs / 310 kgs

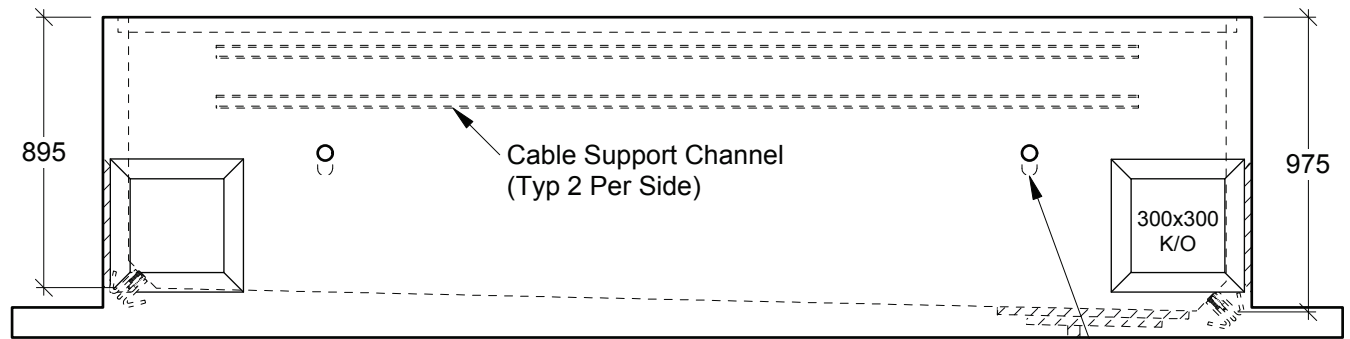
Scale: 1:25 mm

Rev: 28Jun08

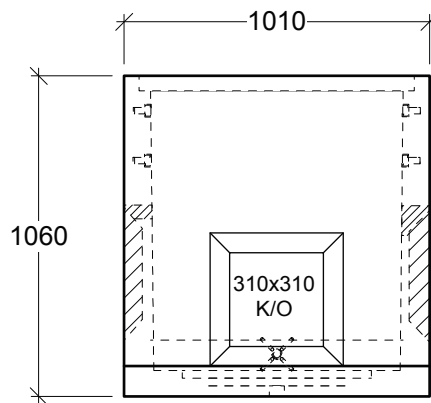
Dwg#: **SVHZ-42-0832-C**



Plan View



Side View



End View

General Notes:

- Product manufactured in accordance with CSA A23.4
- Lift Points Provided (See Shop Drawing for Quantity & Locations)
- Designed for Roadway Use - H-20 Traffic Loading
- Site Installation, Backfilling & Suitability for Use is the responsibility of others



19060 - 54th Avenue
Surrey, B.C. V3S 8E5

Tel (604) 576-1808
info@aeconcrete.com

1232 BCH Junction Vault

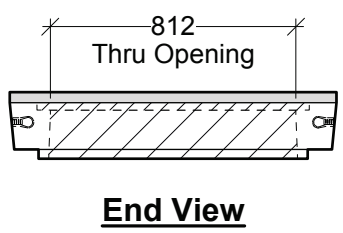
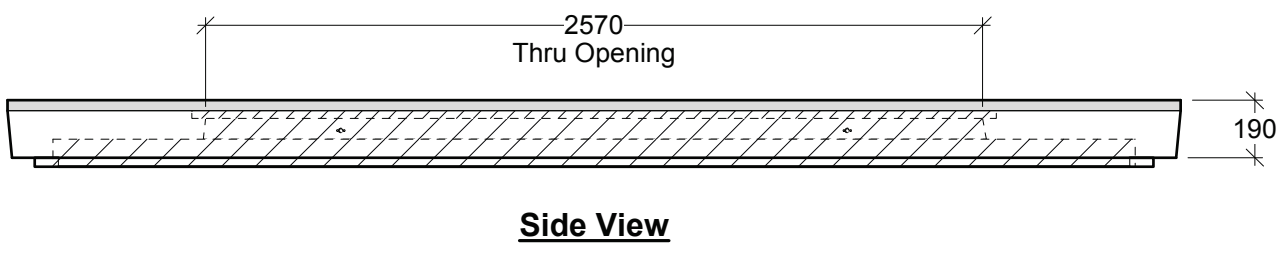
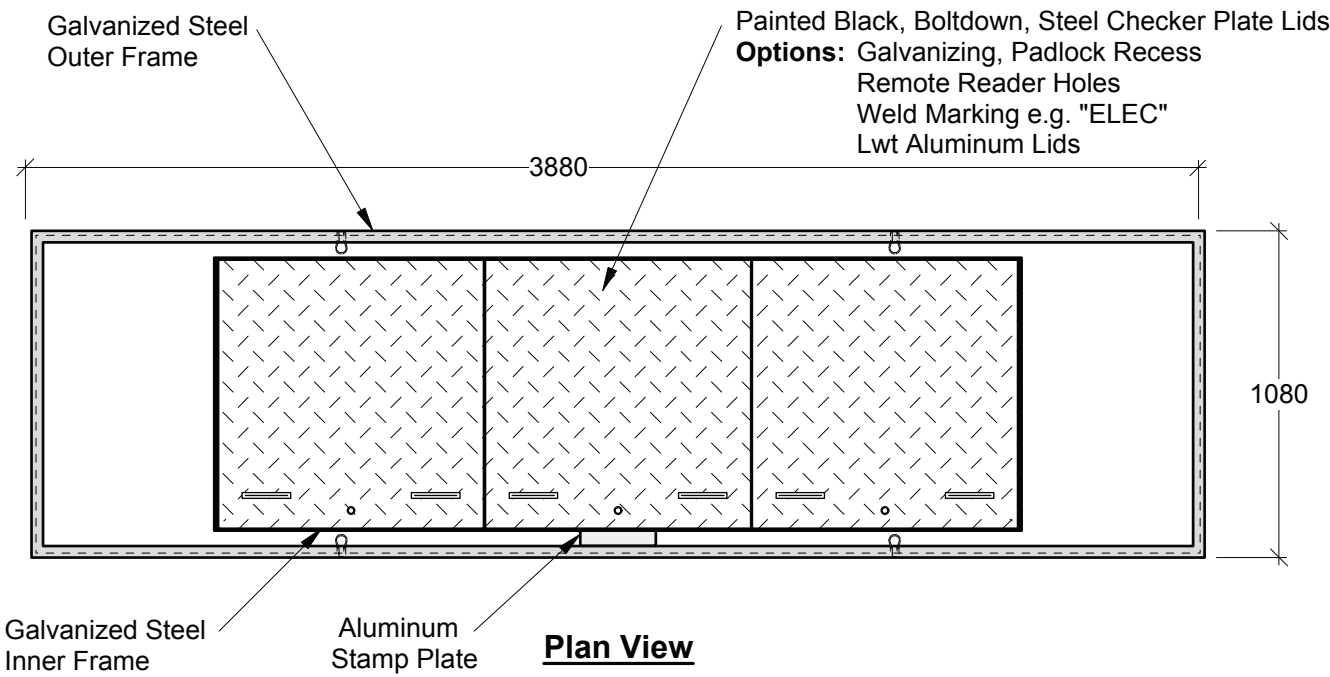
(BCH Stock# 400-0915)

Vault: 7,290 lbs / 3,310 kgs

Scale: 1:25 mm

Rev: 28Jun08

Dwg#: **SVHZ-20-1232-C**



General Notes:

- Product manufactured in accordance with CSA A23.4
- Lift Points Provided (See Shop Drawing for Quantity & Locations)
- Designed for Boulevard (Off-Road) Use - H-20 Static Loading
- Steel Products manufactured under CSA W47.1 in accordance to CSA W59
- Site Installation, Backfilling & Suitability for Use is the responsibility of others



19060 - 54th Avenue
 Surrey, B.C. V3S 8E5
 Tel (604) 576-1808
 info@aeconcrete.com

1232 BCH Collar & Lid Assembly

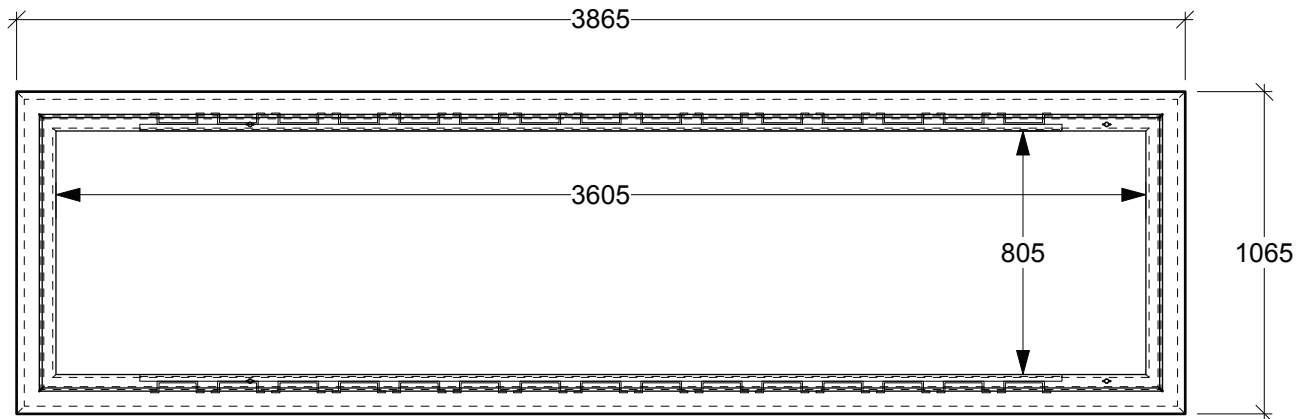
(Alternate to: BCH Stock# 400-0916)

Collar & Lid: 4,255 lbs / 1,935 kgs

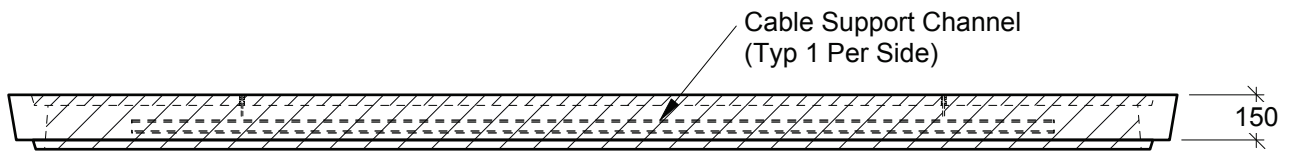
Scale: 1:25 mm

Rev: 28Jun08

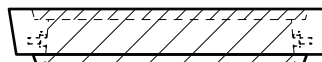
Dwg#: **SVHZ-51-1232-C**



Plan View



Side View



End View

General Notes:

- Product manufactured in accordance with CSA A23.4
- Lift Points Provided (See Shop Drawing for Quantity & Locations)
- Site Installation, Backfilling & Suitability for Use is the responsibility of others



19060 - 54th Avenue
Surrey, B.C. V3S 8E5

Tel (604) 576-1808
info@aeconcrete.com

1232 BCH Riser 150 High

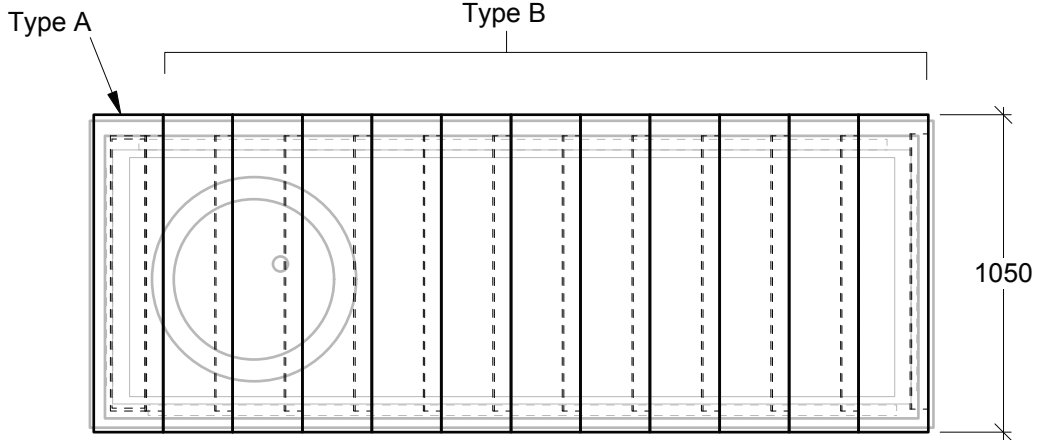
(BCH Stock# 400-0987)

Riser: 860 lbs / 390 kgs

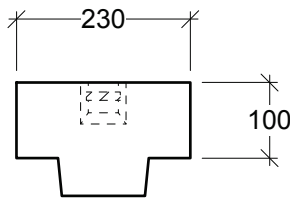
Scale: 1:25 mm

Rev: 28Jun08

Dwg#: **SVHZ-42-1232-C**

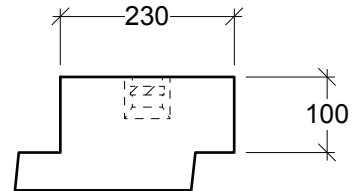


Plan View



End View - Type A

Scale: 1:10



End View - Type B

Scale: 1:10

General Notes:

- Product manufactured in accordance with CSA A23.4.
- Lift Points Provided (See Shop Drawing for Quantity & Locations).
- Designed for Boulevard (Off-Road) Use - H-20 Static Loading.
- Site Installation, Backfilling & Suitability for Use is the responsibility of others.

Vault Type	Quantity	
	Type A BCH#: 400-0960	Type B BCH#: 400-0961
632	1	7
832	1	11
1232	1	15



19060 - 54th Avenue
Surrey, B.C. V3S 8E5

Tel (604) 576-1808
info@aeconcrete.com

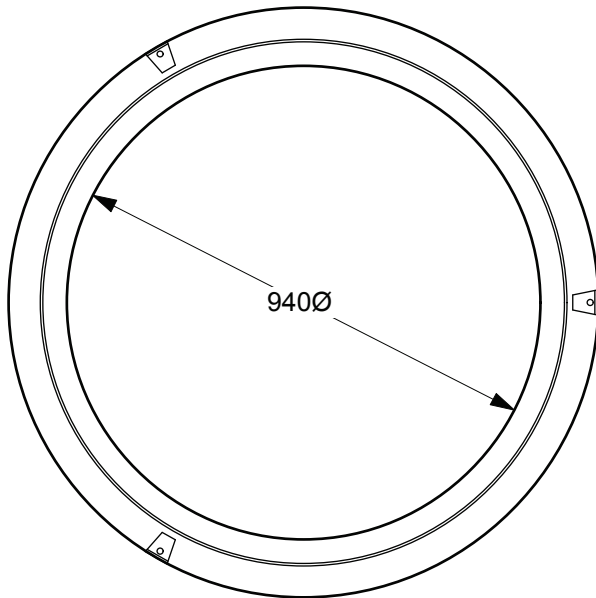
632 / 832 / 1232 Pull Box Slab Covers

Type A: 180 lbs / 85 kgs
Type B: 205 lbs / 95 kgs

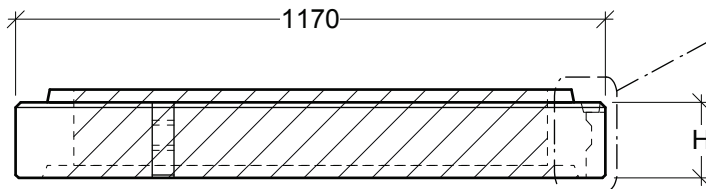
Scale: 1:25 mm

Rev: 28Jun08

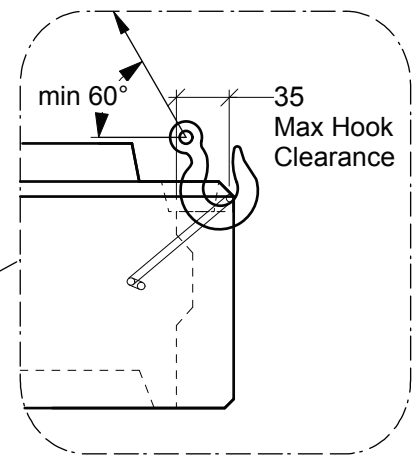
Dwg#: **SVHZ-A4-ZZZZ-C**



Plan View



Side View



General Notes:

- Product manufactured in accordance with CSA A23.4
- Site Installation, Backfilling & Suitability for Use is the responsibility of others
- Suitable for C23 / C23A Cast Iron Frame & Cover
- **Hook Size:** 10-8 (WLL= 3.15 T) Fits Recess
- **Maximum Lift:** 4 Risers w/ Lift Loops but lifting Voids Must align with 2nd Product otherwise Damage may Occur (min 1500 Rigging Length w/ 3 Lifter Bridle)
- Risers to be Set using Non-Shrink Grout by Others



19060 - 54th Avenue
Surrey, B.C. V3S 8E5

Tel (604) 576-1808
info@aeconcrete.com

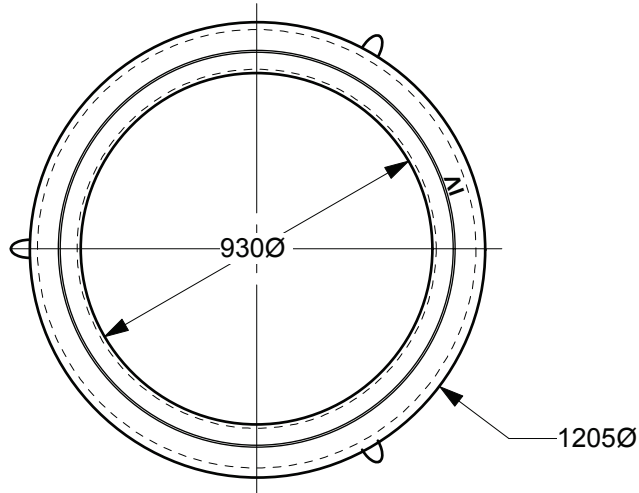
Riser Rings 915Ø

H = 100 (4"): 200 lbs / 95 kgs, 12 / Pallet
 H = 127 (5"): 250 lbs / 115 kgs, 10 / Pallet
 H = 152 (6"): 300 lbs / 140 kgs, 8 / Pallet

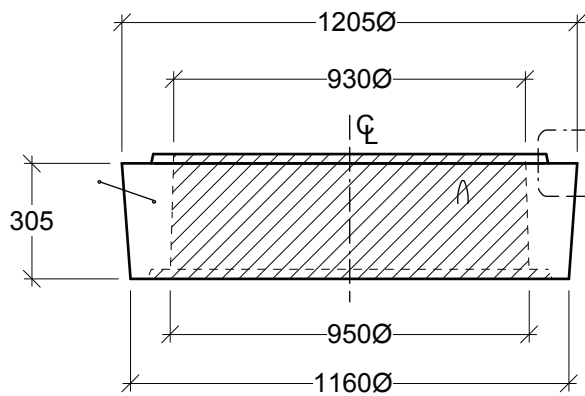
Scale: 1:15 mm

Rev: 02Dec16

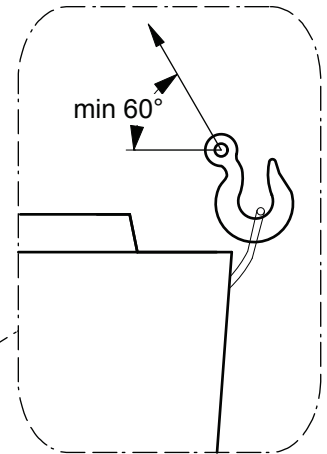
Dwg#: **SVTZ-41-01ZZ-C**



Plan View



Elevation View



General Notes:

- Product manufactured in accordance with CSA A23.4
- Site Installation, Backfilling & Suitability for Use is the responsibility of others
- Suitable for C23 / C23A Cast Iron Frame & Cover
- **Maximum Lift:** 4 Risers w/ Lift Loops (min 2100 Rigging Length w/ 3 Lifter Bridle)
- Risers to be Set using Non-Shrink Grout by Others



19060 - 54th Avenue
Surrey, B.C. V3S 8E5

Tel (604) 576-1808
info@aeconcrete.com

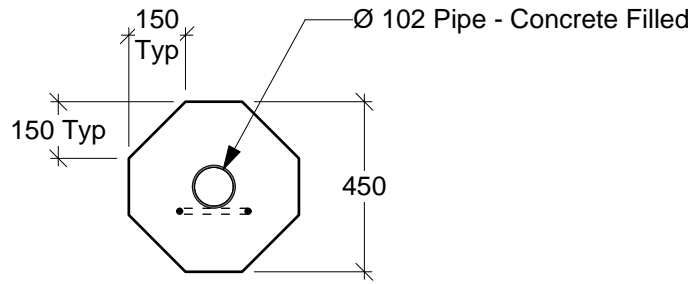
Riser Ring 9150

H = 305 (12"): 680 lbs / 310 kgs, 4 / Pallet

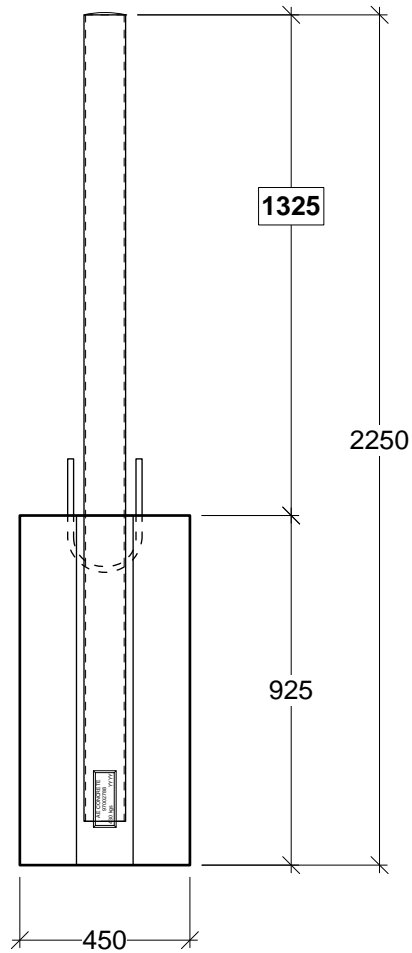
Scale: 1:20 mm

Rev: 17Feb17

Dwg#: **SVTZ-41-0300-C**



Plan View



Elevation

General Notes:

- Product manufactured in accordance with CSA A23.4
- Site Installation, Backfilling & Suitability for Use is the responsibility of others



19060 - 54th Avenue
Surrey, B.C. V3S 8E5

Tel (604) 576-1808
info@aeconcrete.com

BCH Protection Post Bollard

Bollard: 950 lbs / 430 kgs, 2 / Pallet

Scale: 1:20 mm

Rev: 05Jun17

Dwg#: **SMBB-3E-0509-C**