

## Communications Listings

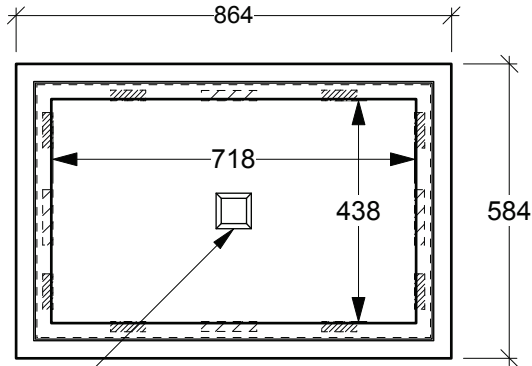
<u>Drawing Number</u>	<u>Item Description</u>	<u>Product Size</u> (Length X Width X Depth in mm)
T266-N3-ZZZZ-C	<b>T266 Service Box - Complete</b> Available as Individual Sections (2 Sections + Base + Lid)	718 x 438 x 750 i.d.
T266-00-0150-C	<b>T266 Top / Extension 150 High</b>	712 x 432 x 200 i.d.
5686-N3-ZZZZ-C	<b>5686 Service Box - Complete</b>	860 x 560 x 870 i.d.
5686-N3-SUPR-C	<b>5686 Superimposed Service Box - Complete</b> Available as Individual Sections. (2 Sections + Base + Frame + Lid)	860 x 560 x 870 i.d.
5686-00-0150-C	<b>5686 Top / Extension 150 High</b>	860 x 560 x 180 i.d.
SVTZ-NI-1200-C	<b>1.2m Comm Vault &amp; Collar - Duct Terminator Style w/ Cable Rack</b>	970 x 970 x 950 i.d.
SVTZ-N0-1200-C	<b>1.2m Comm Vault &amp; Collar - K/O Style w/ Cable Rack</b>	970 x 970 x 950 i.d.
SVTS-N0-1200-C	<b>1.2m Comm Vault &amp; Collar - Split, K/O Style w/ Cable Rack</b>	970 x 970 x 950 i.d.
SVTZ-C2-1200-C	<b>1.2m Comm Riser 150 High</b>	960 x 960 x 150 i.d.
SVTZ-A1-1200-C	<b>1.2m Comm MH Entry Roof Slab</b> (Fits C23-C23A Frame & Cover)	1250 x 1250 x 260
SVTZ-NI-1500-C	<b>1.5m Comm Vault &amp; Collar - Duct Terminator Style w/ Cable Rack</b>	1170 x 1170 x 1230 i.d.
SVTZ-NH-1500-C	<b>1.5m Comm Vault &amp; MH Entry Roof Slab - Duct Term w/ Cable Rack</b>	1170 x 1170 x 1230 i.d.
SVTZ-N0-1500-C	<b>1.5m Comm Vault &amp; Collar - K/O Style w/ Cable Rack</b>	1170 x 1170 x 1230 i.d.
SVTS-N0-1500-C	<b>1.5m Comm Vault &amp; Collar - Split K/O Style w/ Cable Rack</b>	1170 x 1170 x 1230 i.d.
SVTZ-C2-1500-C	<b>1.5m Comm Riser 150 High</b>	1230 x 1230 x 150 i.d.
SVTZ-C3-1500-C	<b>1.5m Comm Riser 450 High</b>	1230 x 1230 x 450 i.d.
SVTZ-A1-1500-C	<b>1.5m Comm MH Entry Roof Slab</b> (Fits C23-C23A Frame & Cover)	1530 x 1530 x 175

## Communications Listings

<u>Drawing Number</u>	<u>Item Description</u>	<u>Product Size</u> (Length X Width X Depth in mm)
SVTZ-22-0832-C	<b>832 Comm Vault</b> - Duct Terminator Style	2530 x 754 x 885 i.d.
SVTZ-2A-0832-C	<b>832 Comm Vault</b> - Bottomless	2530 x 754 x 885 i.d.
SVZZ-55-0832-C	<b>832 Comm Collar &amp; Lwt Lid Assembly</b>	2940 x 1150 x 190
VC21-NI-2121-C	<b>2121 Comm Vault &amp; Collar</b> - Duct Terminator Style	2030 x 1210 x 1060 i.d.
VC21-NH-2122-C	<b>2122 Comm Chamber</b> - Duct Terminator Style	2030 x 1210 x 1970 i.d.
VC21-NH-2102-C	<b>2102 Chamber PLMH TELUS</b>	1925 x 1000 x 2020 i.d.
VC31-NH-PLMH-C	<b>3152 Chamber PLMH TELUS</b>	3000 x 1500 x 2000 i.d.
VC22-N9-2221-C	<b>2221 Chamber &amp; Collar</b>	1845 x 1845 x 2085
SVTZ-41-ZZZZ-C	<b>Riser Ring 915Ø (100, 125, 150 High)</b>	Varies
SVTZ-41-0300-C	<b>Riser Ring 915Ø (300 High)</b>	930Ø x 305H i.d.
0SAC-ZZ-6090-C	<b>900 or 600 x MS^2 Pad</b>	495 x 405 x 150
CATV-ZZ-AMPL-C	<b>CATV A-100 Amplifier Pad</b>	900 x 590 x 125
CATV-ZZ-FIBR-C	<b>CATV F0-200 Fiber Optics Pad</b>	915 x 915 x 150
CATV-ZZ-POWR-C	<b>CATV P-300 Power Pad</b>	860 x 610 x 125
CATV-ZZ-4828-C	<b>CATV 4828 Power / Amplifier Pad</b>	960 x 910 x 150
CATV-ZZ-POAM-C	<b>CATV P/A-400 Power / Amplifier Pad</b>	1015 x 620 x 150
CATV-ZZ-1024-C	<b>CATV A-200 Pad (TV-1024)</b>	1050 x 600 x 100

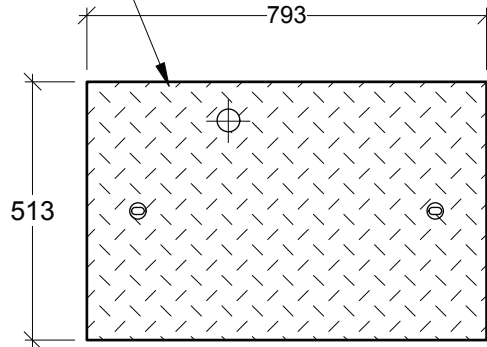
Painted Black, Bolt-down, Steel Checker Plate Lids

**Options:** Galvanizing, Padlock Recess  
Remote Reader Holes  
Weld Marking e.g. "ELEC"

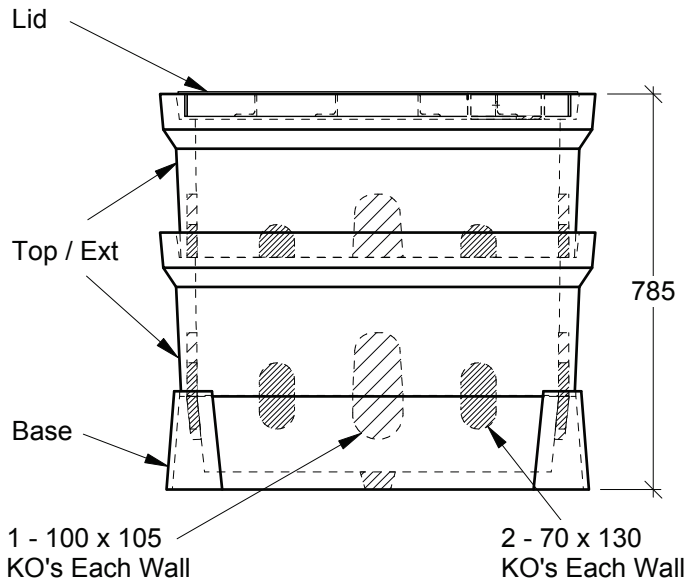


50sq Drain Hole

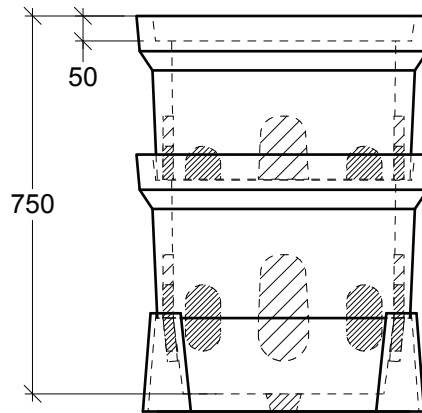
**Plan View**



**Plan View - Lid**



**Side View**



**End View**

**General Notes:**

- Products manufactured in accordance with CSA A23.4
- Designed for Boulevard (Off-Road) Use - H-20 Static Loading
- Steel Products manufactured under CSA W47.1 in accordance to CSA W59
- Site Installation, Backfilling & Suitability for Use is the responsibility of others.



19060 - 54th Avenue  
Surrey, B.C. V3S 8E5

Tel (604) 576-1808  
info@aeconcrete.com

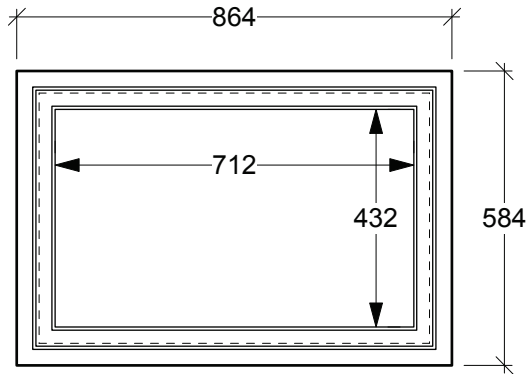
**T266 Service Box - Complete**

Lid: 65 lbs / 30 kgs  
Top/Ext: 140 lbs / 65 kgs  
Base: 170 lbs / 30 kgs Total: 515 lbs / 240 kgs

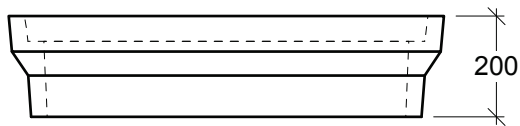
Scale: 1:15 mm

Rev: 28Jun08

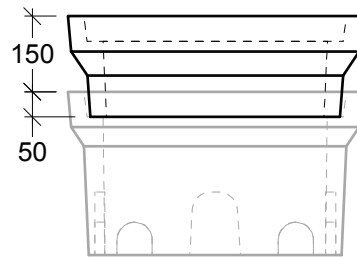
Dwg#: **T266-N3-ZZZZ-C**



**Plan View**



**Side View**



**End View**

**General Notes:**

- Products manufactured in accordance with CSA A23.4
- Designed for Boulevard (Off-Road) Use - H-20 Static Loading
- Site Installation, Backfilling & Suitability for Use is the responsibility of others



19060 - 54th Avenue  
Surrey, B.C. V3S 8E5

Tel (604) 576-1808  
info@aeconcrete.com

**T266 Top / Extension 150 High**

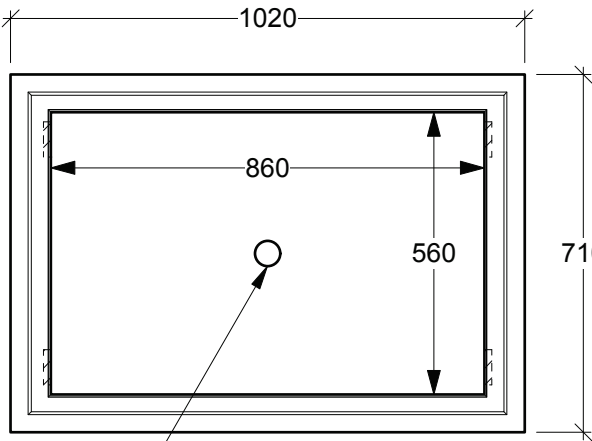
Top/Ext: 70 lbs / 35 kgs

Scale: 1:15 mm

Rev: 28Jun08

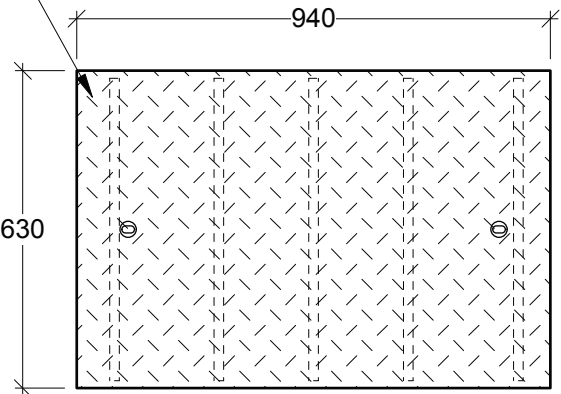
Dwg#: **T266-00-0150-C**

Painted Black, Boltdown, Steel Checker Plate Lids  
**Options:** Galvanizing, Padlock Recess  
 Remote Reader Holes  
 Weld Marking e.g. "ELEC"

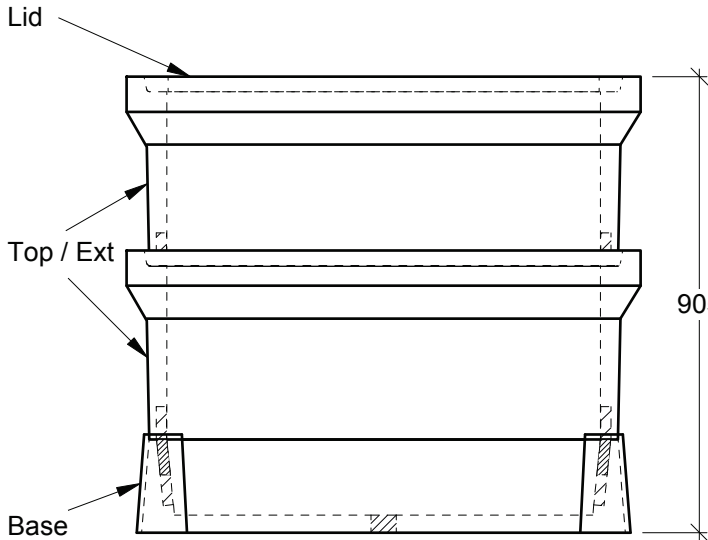


50Ø Drain Hole  
 in Center

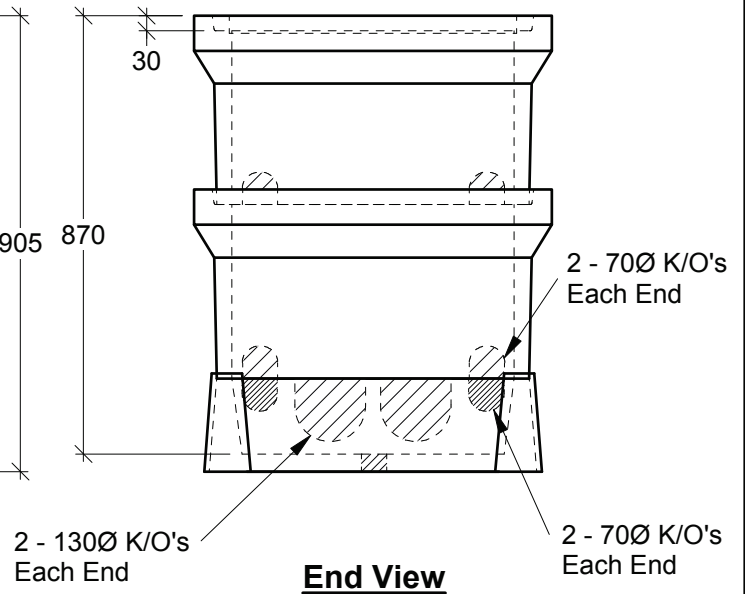
**Plan View**



**Plan View - Lid**



**Side View**



**End View**

**General Notes:**

- Products manufactured in accordance with CSA A23.4
- Designed for Boulevard (Off-Road) Use - H-20 Static Loading
- Steel Products manufactured under CSA W47.1 in accordance to CSA W59
- Site Installation, Backfilling & Suitability for Use is the responsibility of others.



19060 - 54th Avenue  
 Surrey, B.C. V3S 8E5

Tel (604) 576-1808  
 info@aeconcrete.com

**5686 Service Box - Complete**

Lid: 100 lbs / 45 kgs  
 Top/Ext: 195 lbs / 90 kgs  
 Base: 175 lbs / 80 kgs Total: 665 lbs / 305 kgs

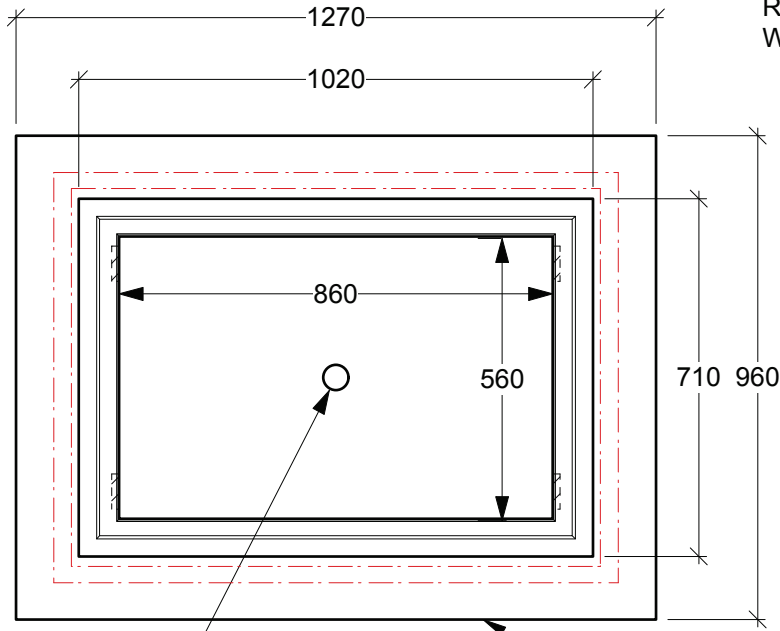
Scale: 1:15 mm

Rev: 28Jun08

Dwg#: **5686-N3-ZZZZ-C**

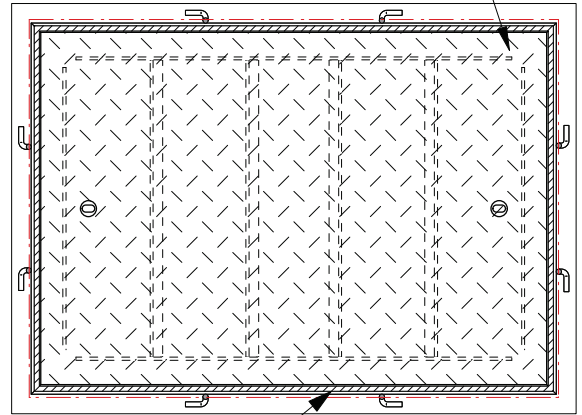
Painted Black, Boltdown, Steel Checker Plate Lids

**Options:** Galvanizing, Padlock Recess  
Remote Reader Holes  
Weld Marking e.g. "ELEC"



50Ø Drain Hole  
in Center

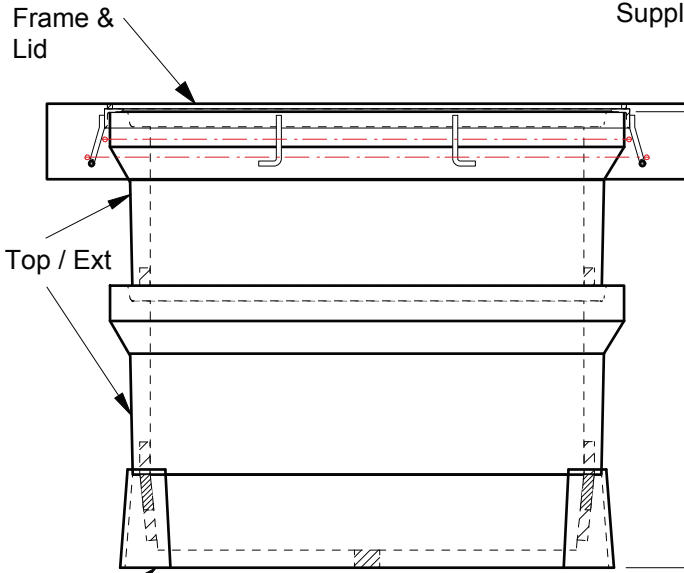
**Plan View**



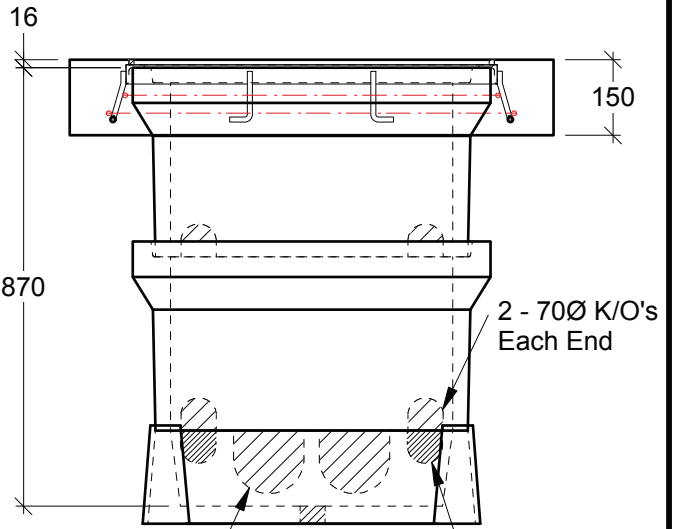
Galvanized  
Frame

**Plan View  
Steel Frame & Lid**

**Note:**  
Concrete Perimeter  
to be Cast-in Place  
by Others  
2-10M Rebar Bands  
Supplied w/ Frame



**Side View**



2 - 130Ø K/O's  
Each End

**End View**

2 - 70Ø K/O's  
Each End

2 - 70Ø K/O's  
Each End

**General Notes:**

- Products manufactured in accordance with CSA A23.4
- Designed for Boulevard (Off-Road) Use - Occasional H-20 Loading
- Steel Products manufactured under CSA W47.1 in accordance to CSA W59
- Site Installation, Backfilling & Suitability for Use is the responsibility of others

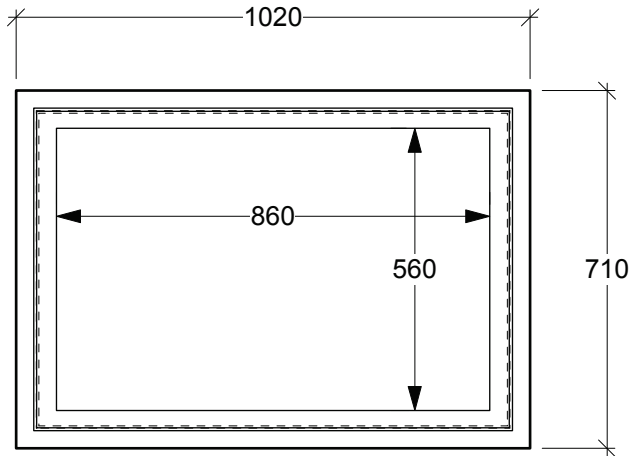


19060 - 54th Avenue  
Surrey, B.C. V3S 8E5

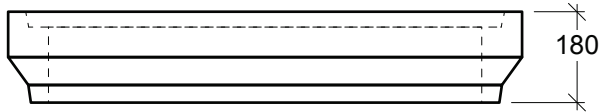
Tel (604) 576-1808  
info@aeconcrete.com

**5686 Superimposed Service Box - Complete**  
(w/ Frame & Cover)

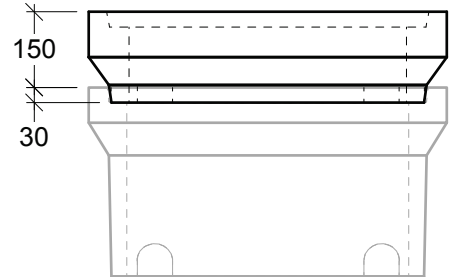
Lid: 110 lbs / 50 kgs	Base: 175 lbs / 80 kgs	Scale: 1:15 mm	Rev: 27Mar12
Frame: 35 lbs / 15 kgs	Total: 710 lbs / 325 kgs	Dwg#: <b>5686-N3-SUPR-C</b>	
Top/Ext: 195 lbs / 90 kgs			



**Plan View**



**Side View**



**End View**

**General Notes:**

- Products manufactured in accordance with CSA A23.4
- Designed for Boulevard (Off-Road) Use - H-20 Static Loading
- Site Installation, Backfilling & Suitability for Use is the responsibility of others



19060 - 54th Avenue  
Surrey, B.C. V3S 8E5

Tel (604) 576-1808  
info@aeconcrete.com

**5686 Top / Extension 150 High**

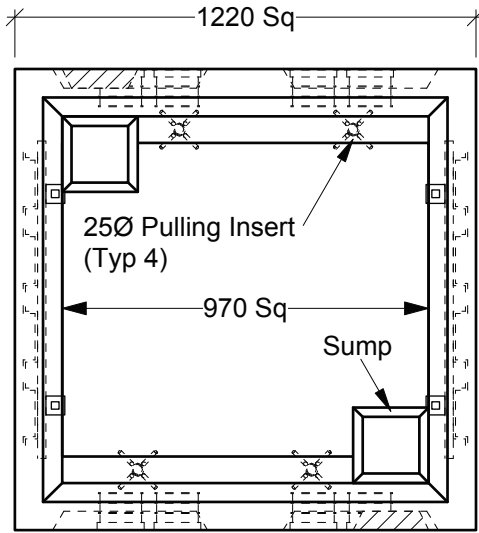
Top/Ext: 130 lbs / 60 kgs

Scale: 1:15 mm

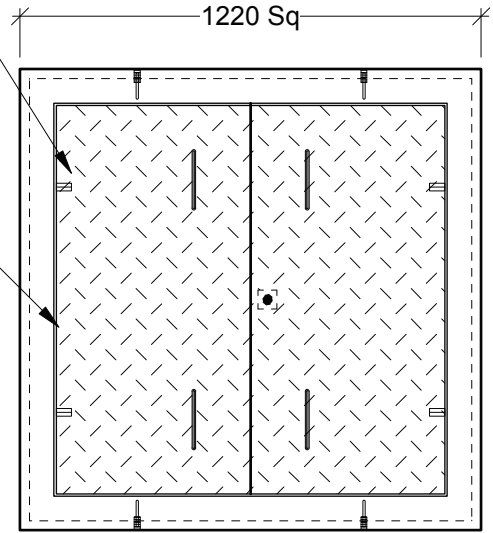
Rev: 25Jan06

Dwg#: **5686-00-0150-C**

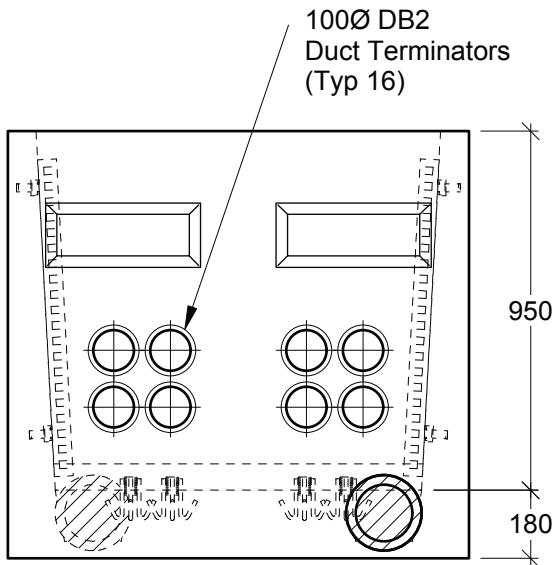
Painted Black, Boltdown, Steel Checker Plate Lids  
**Options:** Galvanizing, Padlock Recess  
 Remote Reader Holes  
 Weld Marking e.g. "ELEC"



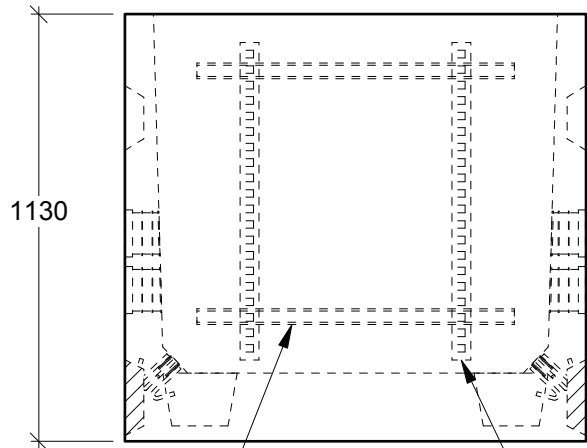
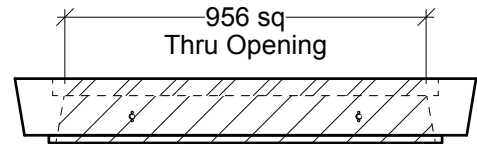
**Plan View - Vault**



**Plan View - Collar**



**Side View**



Cable Support Channel  
(Typ 2 Per End)

**End View**

Cable Racking  
(Typ 4)

**General Notes:**

- Product manufactured in accordance with CSA A23.4
- Lift Points Provided (See Shop Drawing for Quantity & Locations)
- Designed for Boulevard (Off-Road) Use - H-20 Static Loading
- Steel Products manufactured under CSA W47.1 in accordance to CSA W59
- Site Installation, Backfilling & Suitability for Use is the responsibility of others



19060 - 54th Avenue  
 Surrey, B.C. V3S 8E5

Tel (604) 576-1808  
 info@aeconcrete.com

**1.2m Comm Vault & Collar - Duct Terminators**

Vault: 3,710 lbs / 1,690 kgs  
 Collar: 720 lbs / 330 kgs

Scale: 1:20 mm

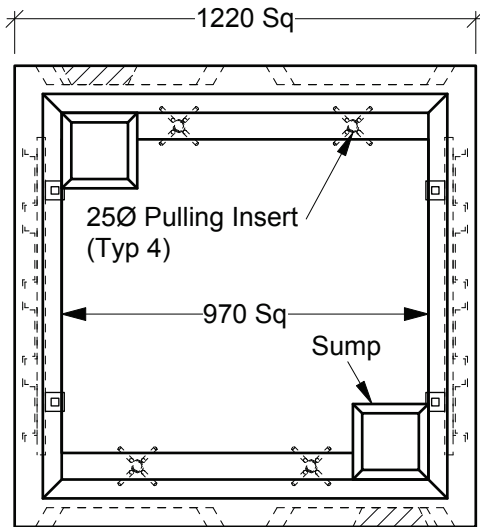
Rev: 28Jun08

Dwg#: **SVTZ-NI-1200-C**

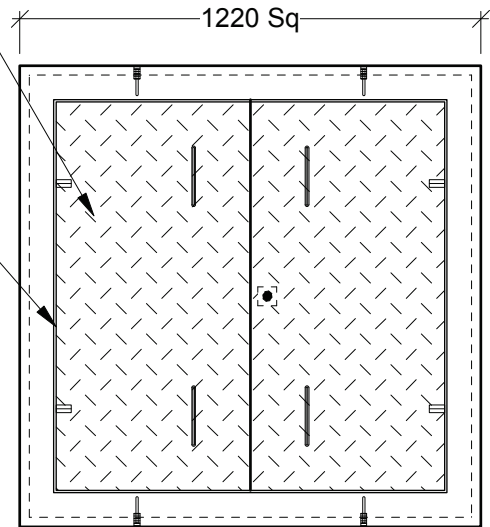


Painted Black, Bolt-down, Steel Checker Plate Lids

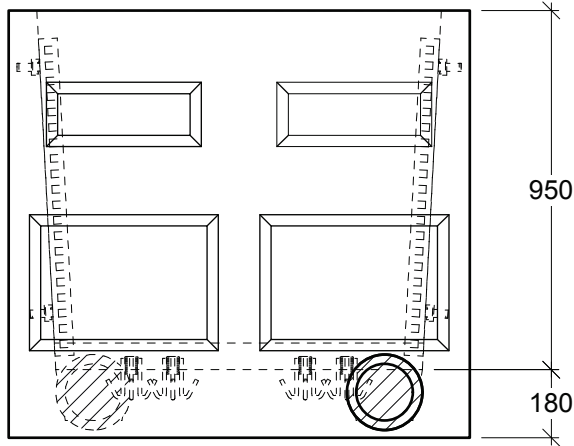
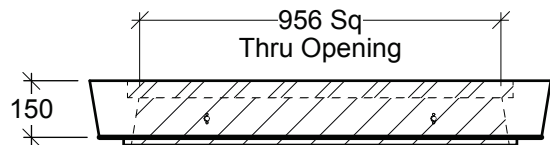
**Options:** Galvanizing, Padlock Recess  
Remote Reader Holes  
Weld Marking e.g. "ELEC"



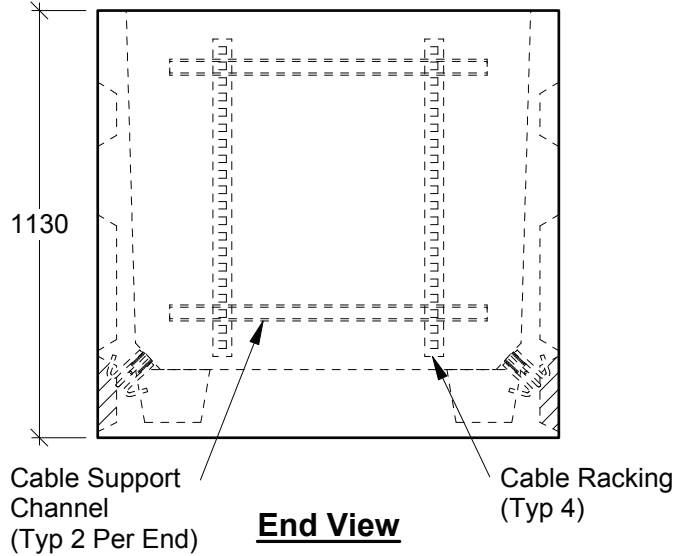
**Plan View - Vault**



**Plan View - Collar**



**Side View**



**End View**

**General Notes:**

- Product manufactured in accordance with CSA A23.4
- Lift Points Provided (See Shop Drawing for Quantity & Locations)
- Designed for Boulevard (Off-Road) Use - H-20 Static Loading
- Steel Products manufactured under CSA W47.1 in accordance to CSA W59
- Site Installation, Backfilling & Suitability for Use is the responsibility of others



19060 - 54th Avenue  
Surrey, B.C. V3S 8E5

Tel (604) 576-1808  
info@aeconcrete.com

**1.2m Comm Vault & Collar - K/O**

Vault: 3,700 lbs / 1,680 kgs  
Collar: 720 lbs / 330 kgs

Scale: 1:20 mm

Rev: 28Jun08

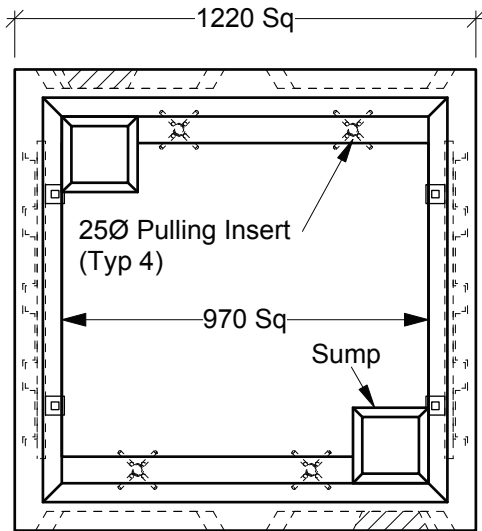
Dwg#: **SVTZ-N0-1200-C**

Painted Black, Boltdown, Steel Checker Plate Lids

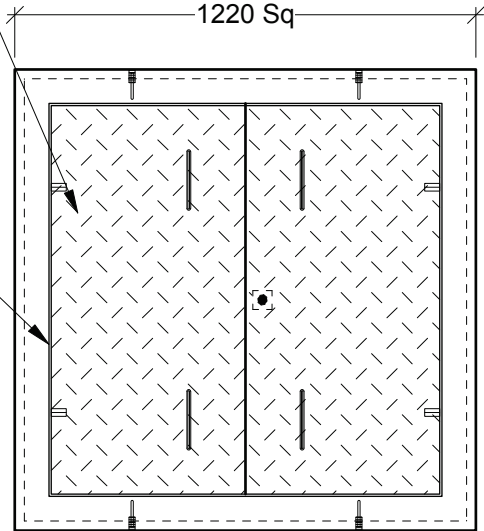
**Options:** Galvanizing, Padlock Recess

Remote Reader Holes

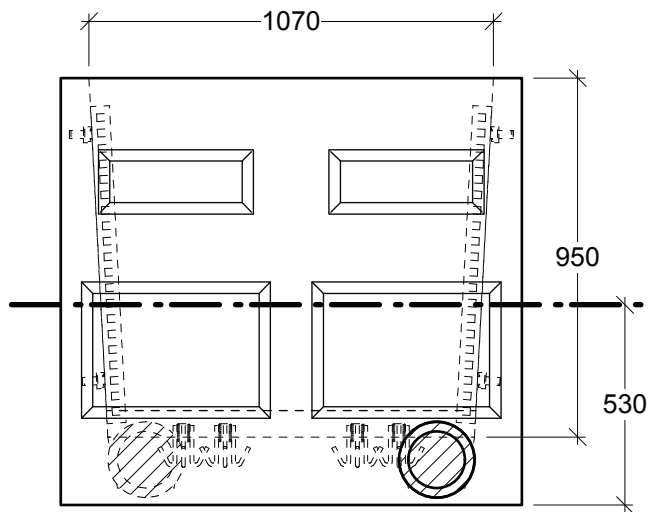
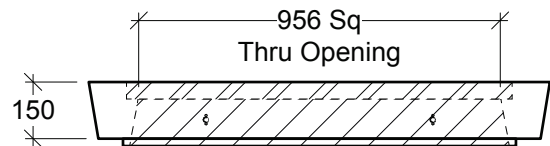
Weld Marking e.g. "ELEC"



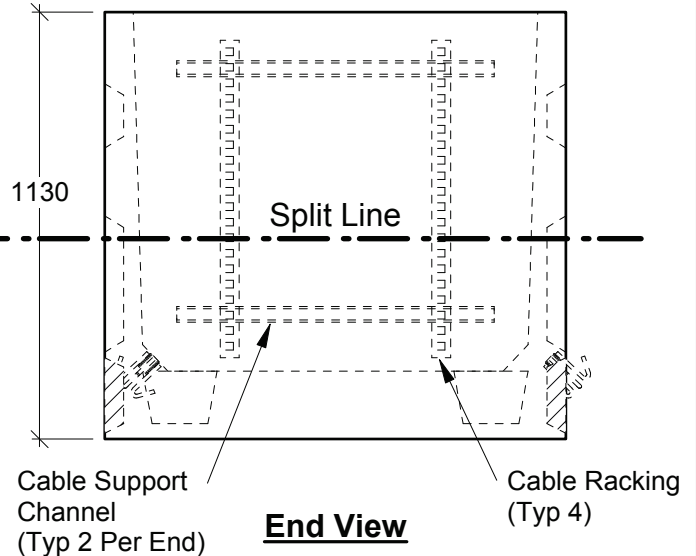
**Plan View - Vault**



**Plan View - Collar**



**Side View**



**End View**

**General Notes:**

- Product manufactured in accordance with CSA A23.4
- Lift Points Provided (See Shop Drawing for Quantity & Locations)
- Designed for Boulevard (Off-Road) Use - H-20 Static Loading
- Steel Products manufactured under CSA W47.1 in accordance to CSA W59
- Site Installation, Backfilling & Suitability for Use is the responsibility of others



19060 - 54th Avenue  
Surrey, B.C. V3S 8E5

Tel (604) 576-1808  
info@aeconcrete.com

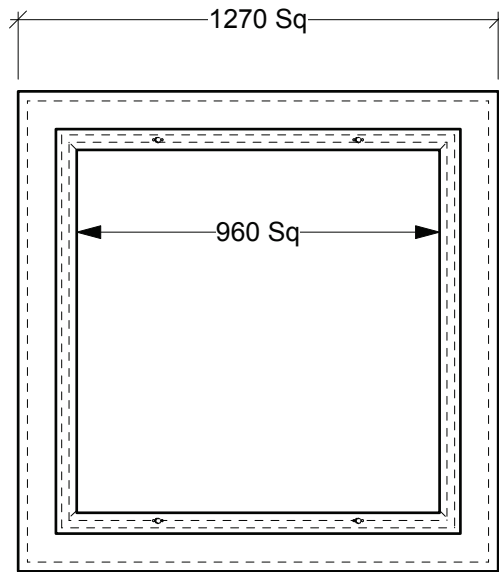
**1.2m Comm Vault & Collar - Split**

Vault: 3,700 lbs / 1,680 kgs  
Collar: 720 lbs / 330 kgs

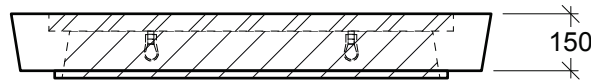
Scale: 1:20 mm

Rev: 28Jun08

Dwg#: **SVTS-N0-1200-C**



**Plan View**



**Side View**

**General Notes:**

- Product manufactured in accordance with CSA A23.4
- Lift Points Provided (See Shop Drawing for Quantity & Locations)
- Site Installation, Backfilling & Suitability for Use is the responsibility of others



19060 - 54th Avenue  
Surrey, B.C. V3S 8E5

Tel (604) 576-1808  
info@aeconcrete.com

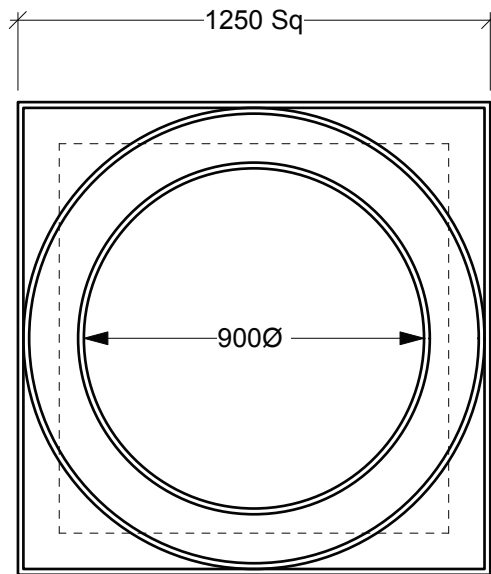
**1.2m Comm Riser 150 High**

Riser: 460 lbs / 210 kgs

Scale: 1:20 mm

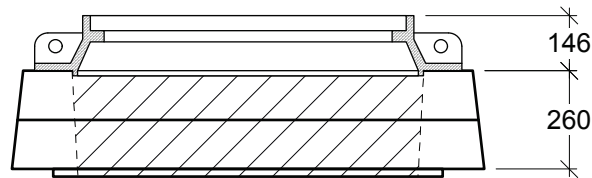
Rev: 28Jun08

Dwg#: **SVTZ-C2-1200-C**



**Plan View**

C-23 / C-23A  
Cast Iron Frame and Cover.



**Side View**

**General Notes:**

- Product manufactured in accordance with CSA A23.4
- Lift Points Provided (See Shop Drawing for Quantity & Locations)
- Designed for Roadway Use - H-20 Traffic Loading
- Site Installation, Backfilling & Suitability for Use is the responsibility of others



19060 - 54th Avenue  
Surrey, B.C. V3S 8E5

Tel (604) 576-1808  
info@aeconcrete.com

**1.2m Comm MH Entry Roof Slab**

Roof Slab: 1,030 lbs / 470 kgs

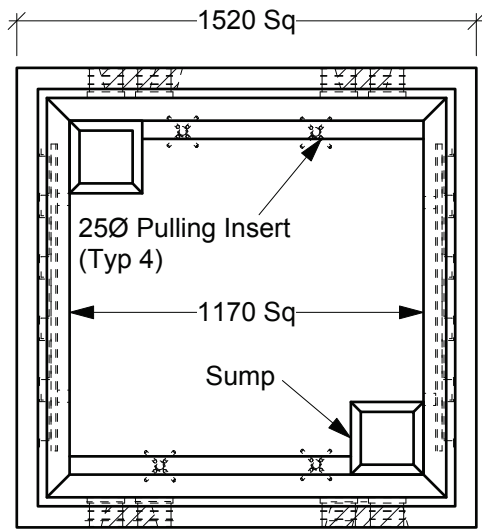
Scale: 1:20 mm

Rev: 28Jun08

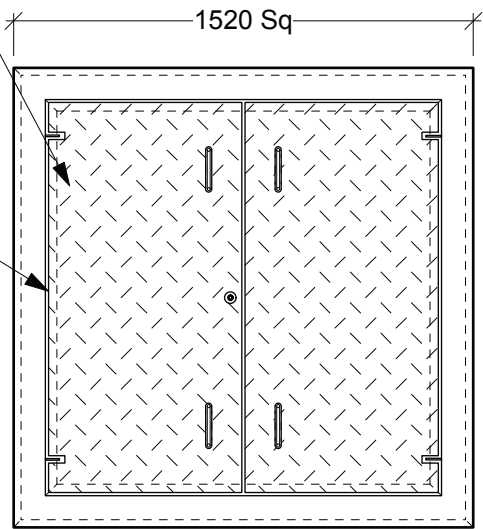
Dwg#: **SVTZ-A1-1200-C**

Painted Black, Boltdown, Steel Checker Plate Lids

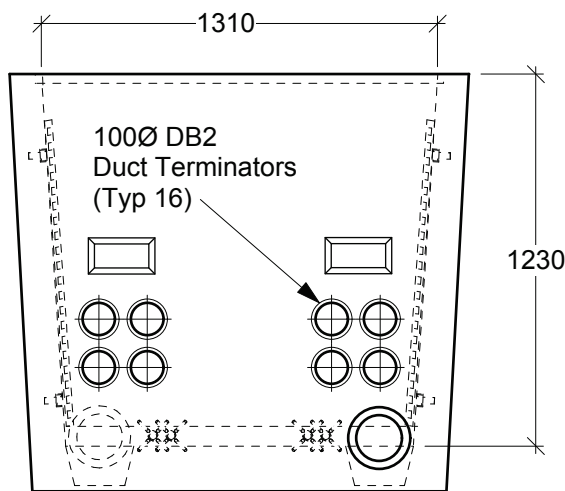
**Options:** Galvanizing, Padlock Recess  
Remote Reader Holes  
Weld Marking e.g. "ELEC"



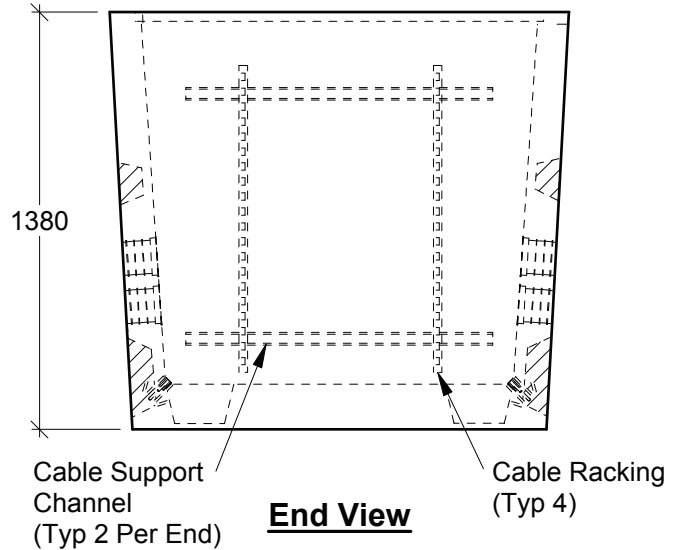
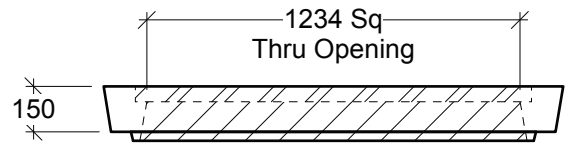
**Plan View - Vault**



**Plan View - Collar**



**Side View**



**End View**

**General Notes:**

- Product manufactured in accordance with CSA A23.4
- Lift Points Provided (See Shop Drawing for Quantity & Locations)
- Designed for Boulevard (Off-Road) Use - H-20 Static Loading
- Steel Products manufactured under CSA W47.1 in accordance to CSA W59
- Site Installation, Backfilling & Suitability for Use is the responsibility of others



19060 - 54th Avenue  
Surrey, B.C. V3S 8E5

Tel (604) 576-1808  
info@aeconcrete.com

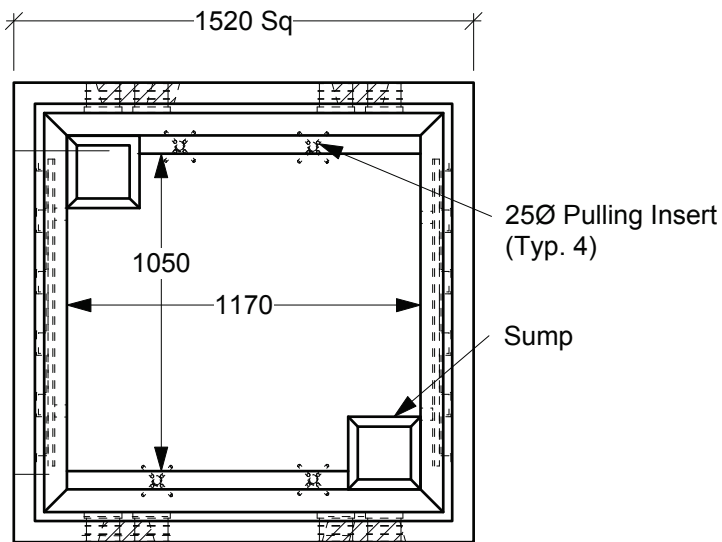
**1.5m Comm Vault & Collar - Duct Terminators**

Vault: 5,640 lbs / 2,560 kgs  
Collar: 930 lbs / 430 kgs

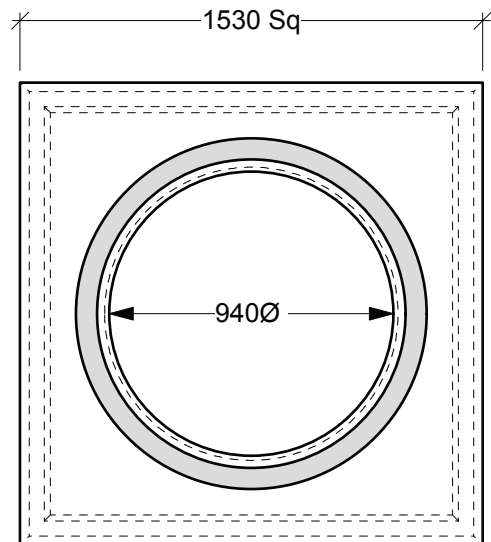
Scale: 1:25 mm

Rev: 28Jun08

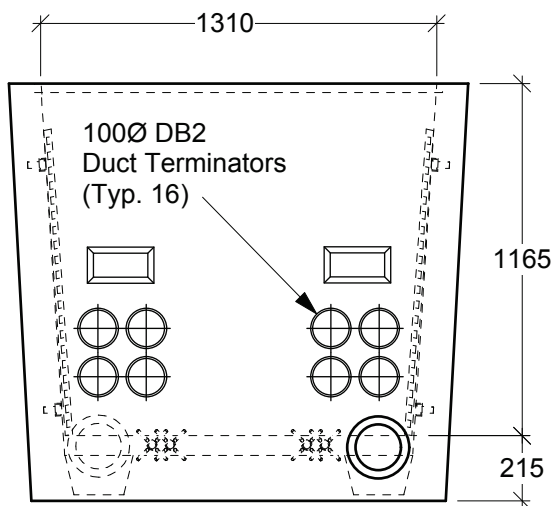
Dwg#: **SVTZ-NI-1500-C**



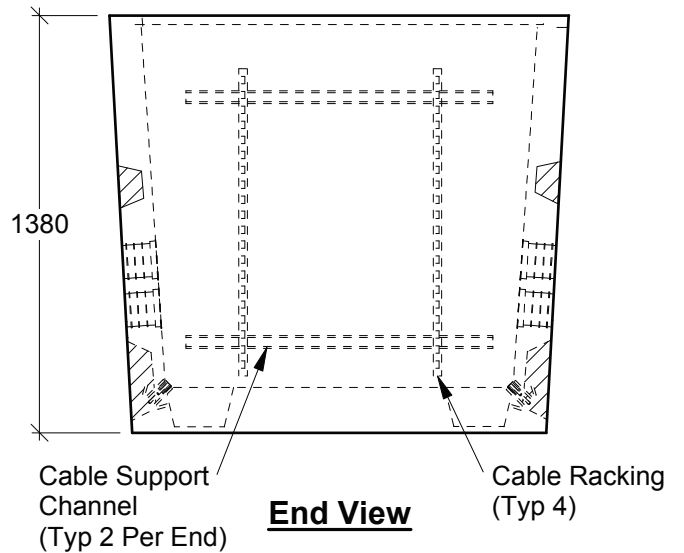
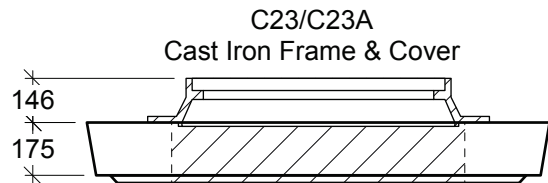
**Plan View - Vault**



**Plan View - Roof Slab**  
(Roadway use - H-20 Traffic Rated)



**Side View**



**End View**

**General Notes:**

- Lifting loops cast in.
- Cement to CAN / CSA A5-93 Portland Cement.
- Reinforcing Steel to CSA G-30.18-M92 Grade 400.
- Site installation and backfilling are the responsibility of others.
- Minimum concrete strength 30 MPa @ 28 Days.



19060 - 54th Avenue  
Surrey, B.C. V3S 8E5

Tel (604) 576-1808  
info@aeconcrete.com

**1.5m Comm Vault & MH Roof Slab - Duct Terminators**

Vault: 5,660 lbs / 2,750 kgs  
Roof Slab: 1,650 lbs / 750 kgs

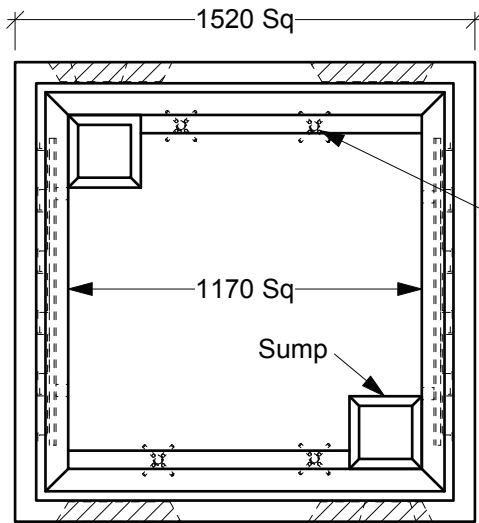
Scale: 1:25 mm

Rev: 28Jun08

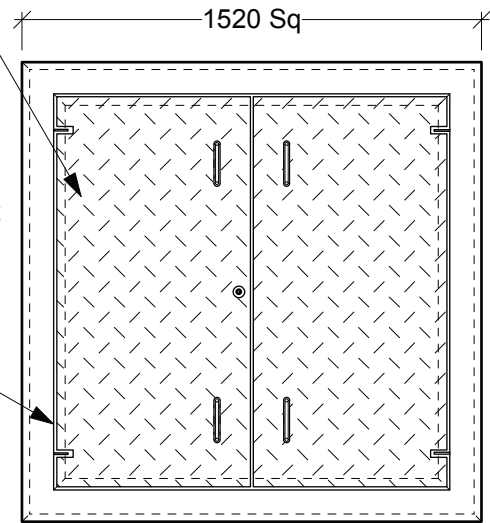
Dwg#: **SVTZ-NH-1500-C**

Painted Black, Boltdown, Steel Checker Plate Lids

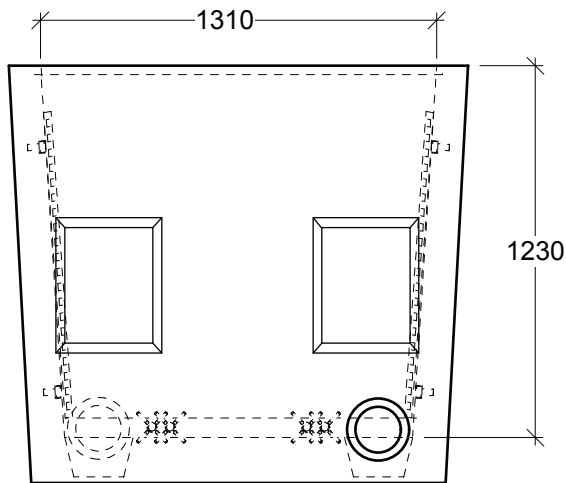
**Options:** Galvanizing, Padlock Recess  
Remote Reader Holes  
Weld Marking e.g. "ELEC"



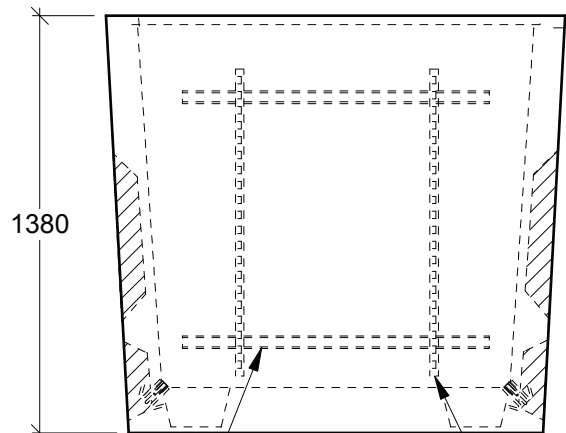
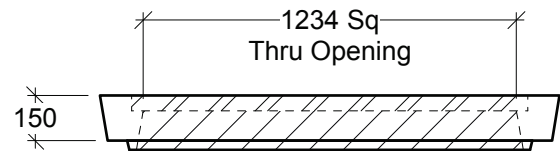
**Plan View - Vault**



**Plan View - Collar**



**Side View**



Cable Support  
Channel  
(Typ 2 Per End)

**End View**

Cable Racking  
(Typ 4)

**General Notes:**

- Product manufactured in accordance with CSA A23.4
- Lift Points Provided (See Shop Drawing for Quantity & Locations)
- Designed for Boulevard (Off-Road) Use - H-20 Static Loading
- Steel Products manufactured under CSA W47.1 in accordance to CSA W59
- Site Installation, Backfilling & Suitability for Use is the responsibility of others



19060 - 54th Avenue  
Surrey, B.C. V3S 8E5

Tel (604) 576-1808  
info@aeconcrete.com

**1.5m Comm Vault & Collar - K/O**

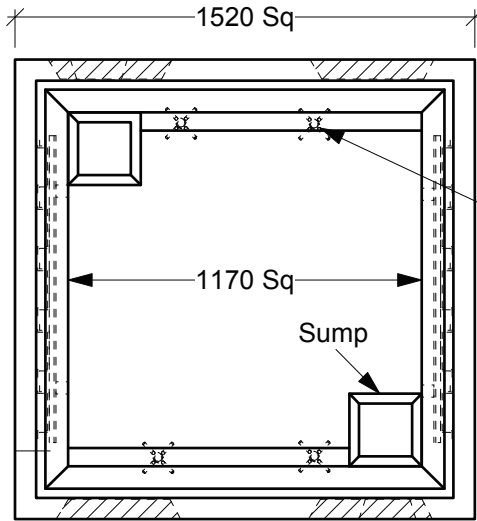
Vault: 5,500 lbs / 2,500 kgs  
Collar: 930 lbs / 430 kgs

Scale: 1:25 mm

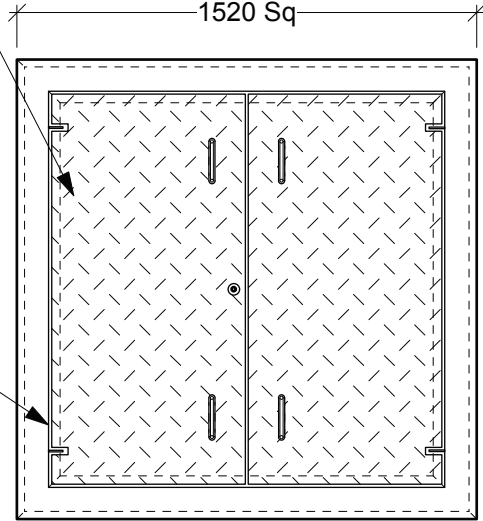
Rev: 28Jun08

Dwg#: **SVTZ-N0-1500-C**

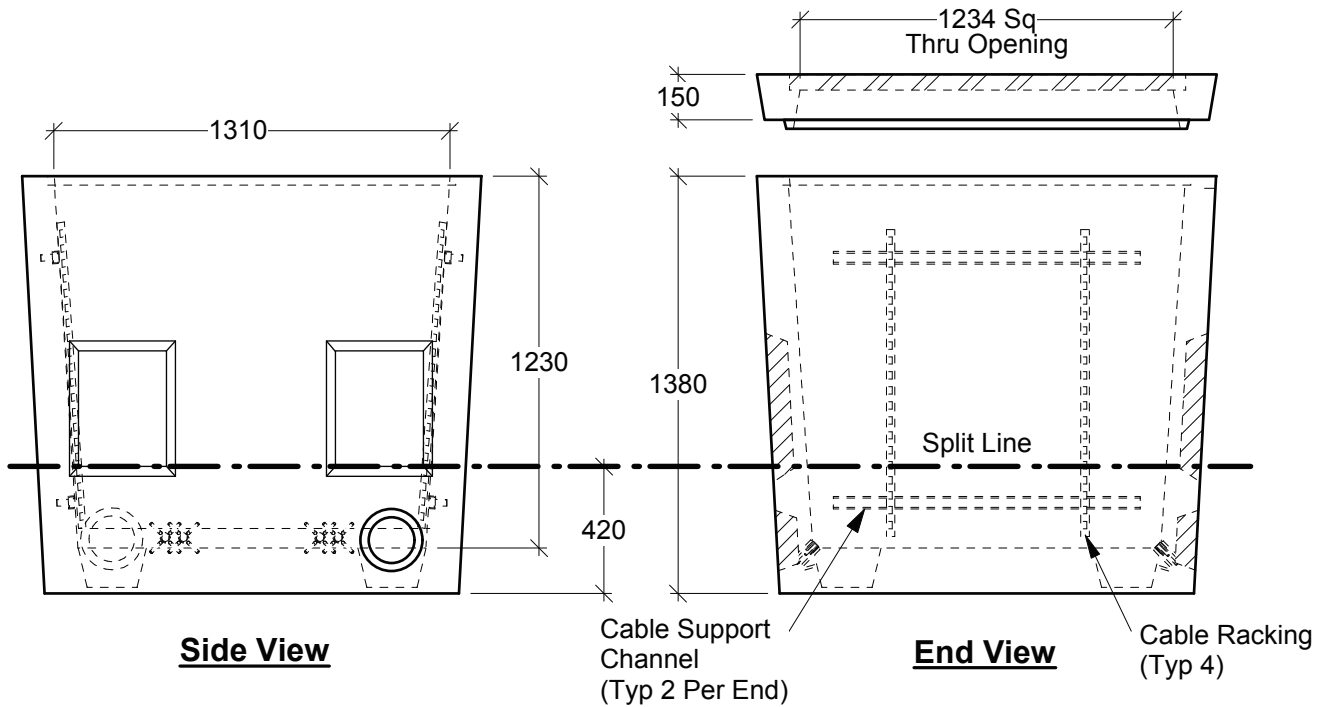
Painted Black, Boltdown, Steel Checker Plate Lids  
**Options:** Galvanizing, Padlock Recess  
 Remote Reader Holes  
 Weld Marking e.g. "ELEC"



**Plan View - Vault**



**Plan View - Collar**



**Side View**

**End View**

**General Notes:**

- Product manufactured in accordance with CSA A23.4
- Lift Points Provided (See Shop Drawing for Quantity & Locations)
- Designed for Boulevard (Off-Road) Use - H-20 Static Loading
- Steel Products manufactured under CSA W47.1 in accordance to CSA W59
- Site Installation, Backfilling & Suitability for Use is the responsibility of others



19060 - 54th Avenue  
 Surrey, B.C. V3S 8E5

Tel (604) 576-1808  
 info@aeconcrete.com

**1.5m Comm Vault & Collar - Split**

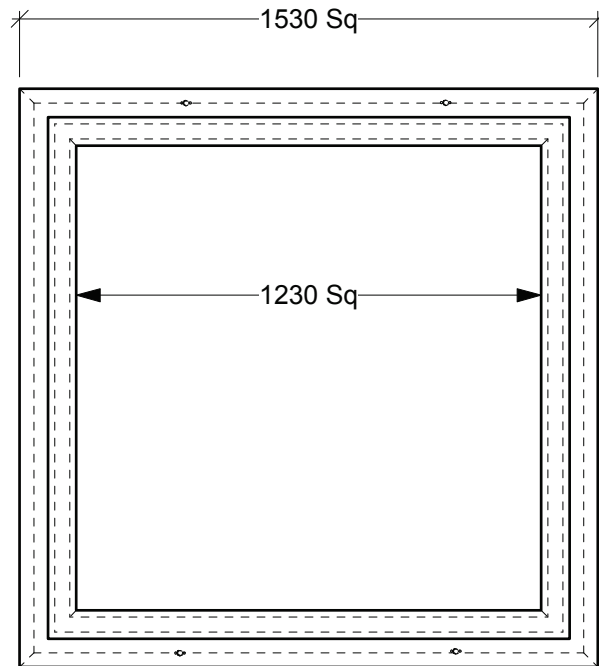
Vault: 5,500 lbs / 2,500 kgs  
 Collar: 930 lbs / 430 kgs

Scale: 1:25 mm

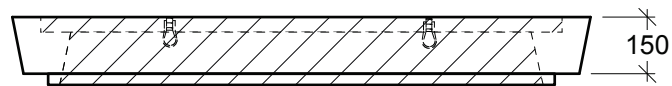
Rev: 28Jun08

Dwg#: **SVTS-N0-1500-C**





**Plan View**



**Side View**

**General Notes:**

- Product manufactured in accordance with CSA A23.4
- Lift Points Provided (See Shop Drawing for Quantity & Locations)
- Site Installation, Backfilling & Suitability for Use is the responsibility of others



19060 - 54th Avenue  
Surrey, B.C. V3S 8E5

Tel (604) 576-1808  
info@aeconcrete.com

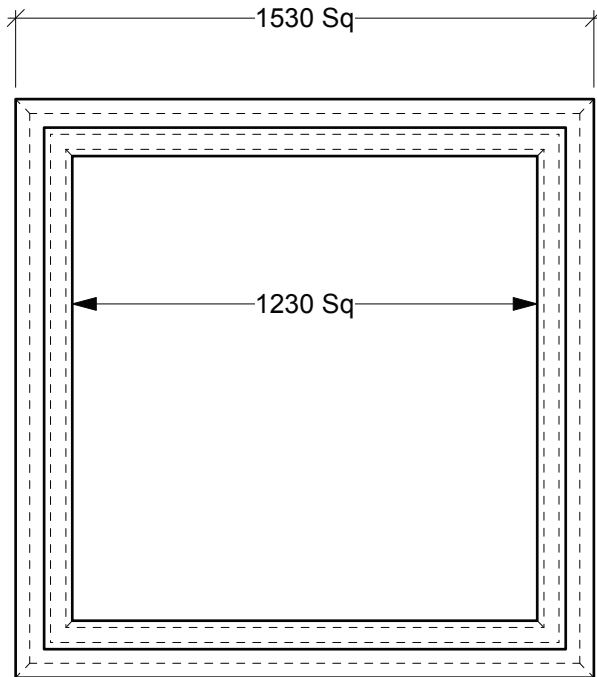
**1.5m Comm Riser 150 High**

Riser: 520 lbs / 240 kgs

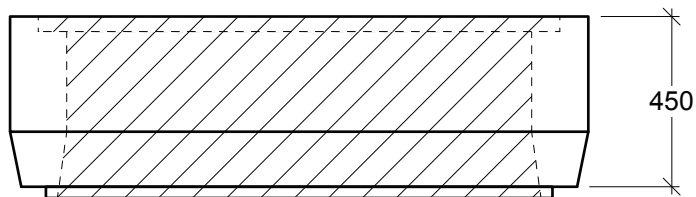
Scale: 1:20 mm

Rev: 28Jun08

Dwg#: **SVTZ-C2-1500-C**



**Plan View**



**Side View**

**General Notes:**

- Product manufactured in accordance with CSA A23.4
- Lift Points Provided (See Shop Drawing for Quantity & Locations)
- Site Installation, Backfilling & Suitability for Use is the responsibility of others



19060 - 54th Avenue  
Surrey, B.C. V3S 8E5

Tel (604) 576-1808  
info@aeconcrete.com

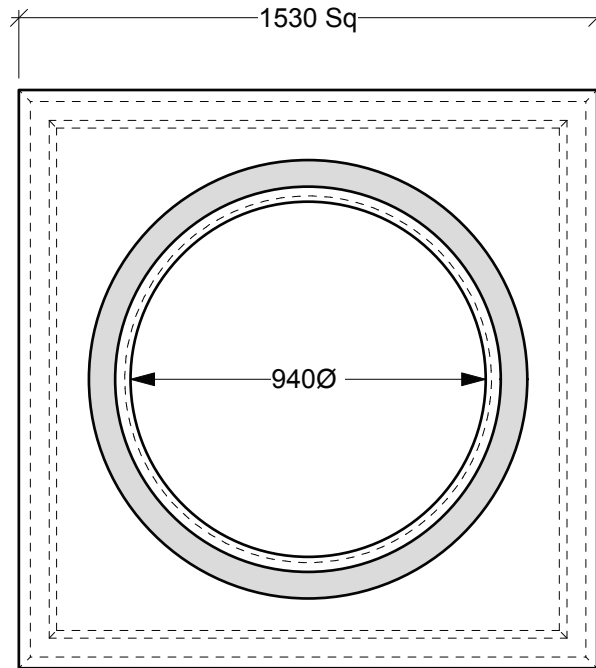
**1.5m Comm Riser 450 High**

Riser: 1,960 lbs / 890 kgs

Scale: 1:20 mm

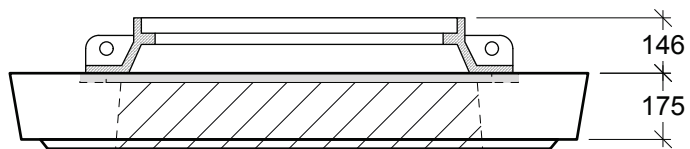
Rev: 28Jun08

Dwg#: **SVTZ-C3-1500-C**



**Plan View**

C-23 / C-23A  
Cast Iron Frame and Cover.



**Side View**

**General Notes:**

- Product manufactured in accordance with CSA A23.4
- Lift Points Provided (See Shop Drawing for Quantity & Locations)
- Designed for Roadway Use - H-20 Traffic Loading
- Site Installation, Backfilling & Suitability for Use is the responsibility of others



19060 - 54th Avenue  
Surrey, B.C. V3S 8E5

Tel (604) 576-1808  
info@aeconcrete.com

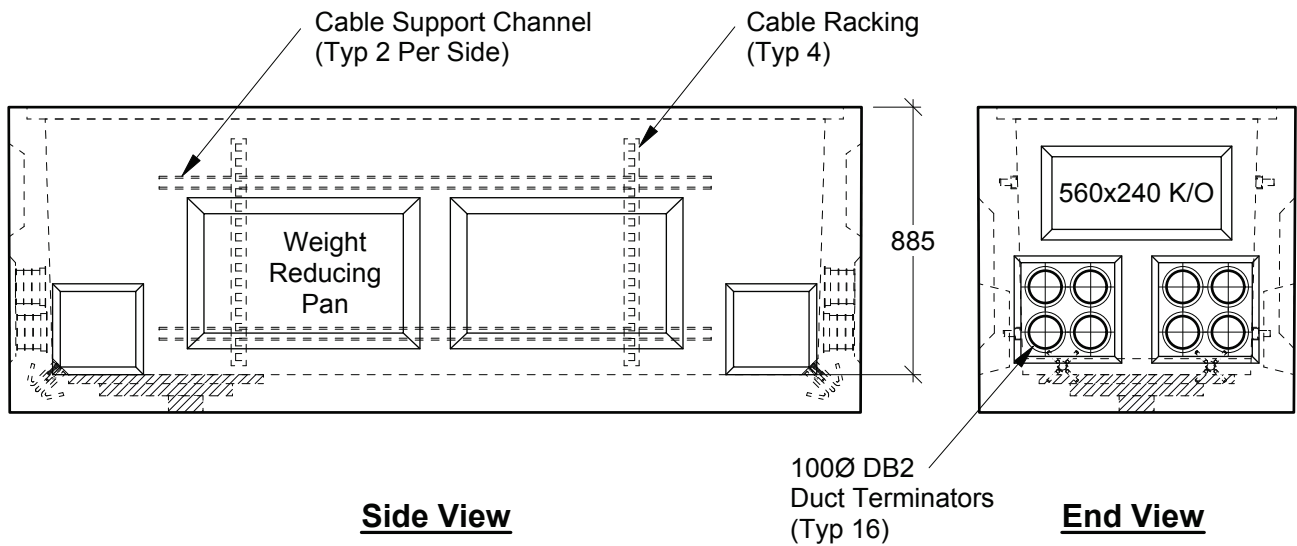
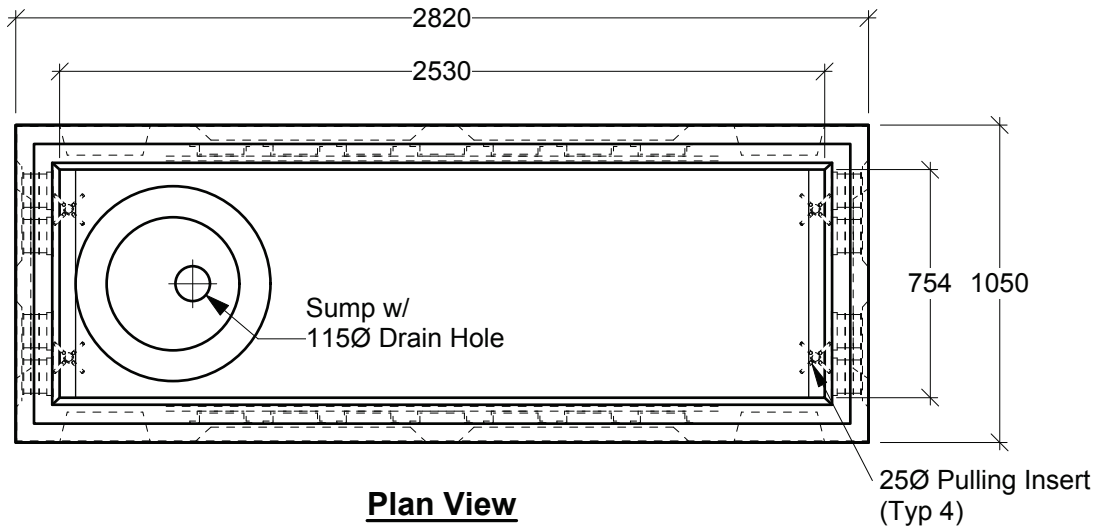
**1.5m Comm MH Entry Roof Slab**

Roof Slab: 1,650 lbs / 750 kgs

Scale: 1:20 mm

Rev: 28Jun08

Dwg#: **SVTZ-A1-1500-C**



**General Notes:**

- Product manufactured in accordance with CSA A23.4
- Lift Points Provided (See Shop Drawing for Quantity & Locations)
- Designed for Roadway Use - H-20 Traffic Loading
- Site Installation, Backfilling & Suitability for Use is the responsibility of others



19060 - 54th Avenue  
Surrey, B.C. V3S 8E5

Tel (604) 576-1808  
info@aeconcrete.com

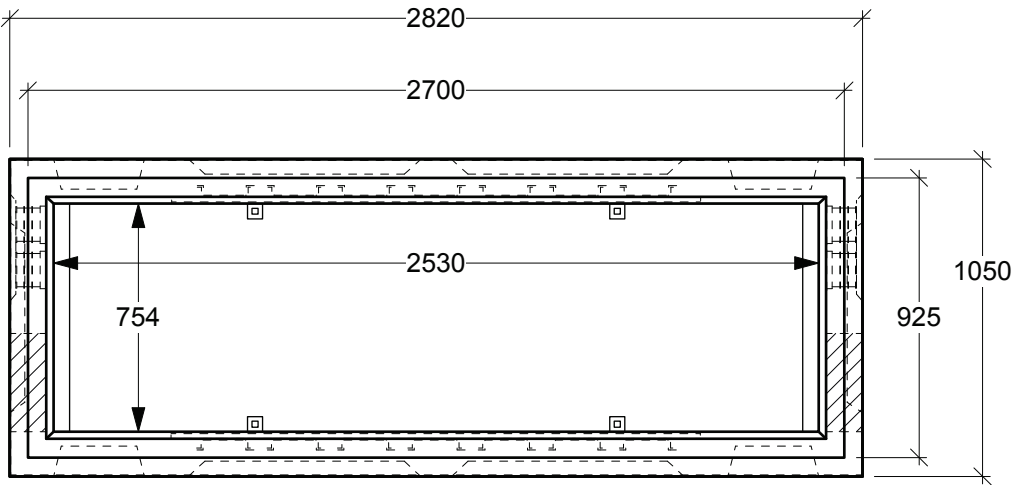
**832 Comm Vault - Duct Terminators**

Vault: 5,830 lbs / 2,650 kgs

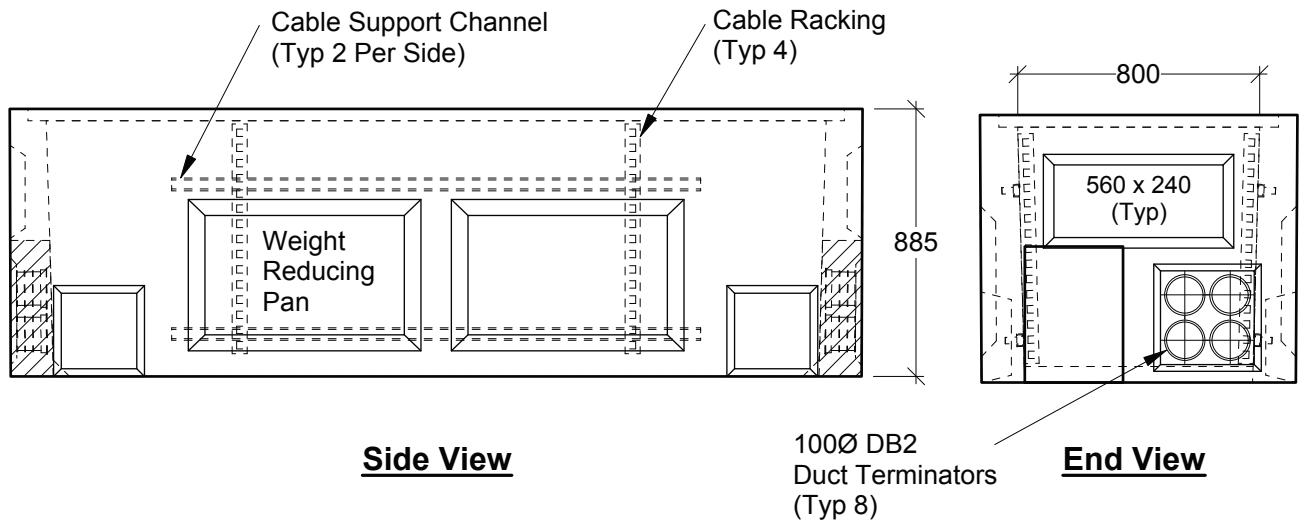
Scale: 1:25 mm

Rev: 28Jun08

Dwg#: **SVTZ-22-0832-C**



**Plan View**



**Side View**

**End View**

**General Notes:**

- Product manufactured in accordance with CSA A23.4
- Lift Points Provided (See Shop Drawing for Quantity & Locations)
- Designed for Roadway Use - H-20 Traffic Loading
- Site Installation, Backfilling & Suitability for Use is the responsibility of others



19060 - 54th Avenue  
Surrey, B.C. V3S 8E5

Tel (604) 576-1808  
info@aeconcrete.com

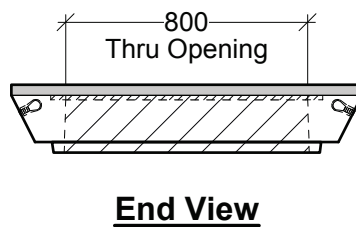
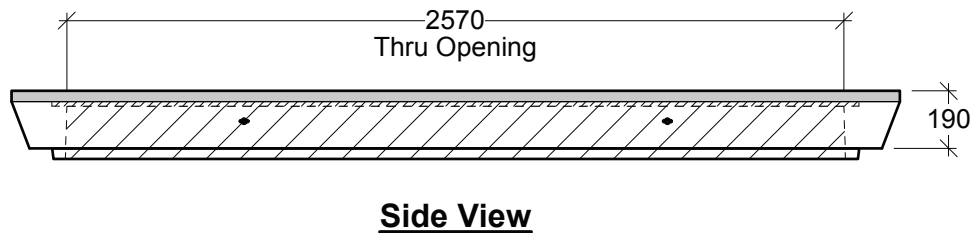
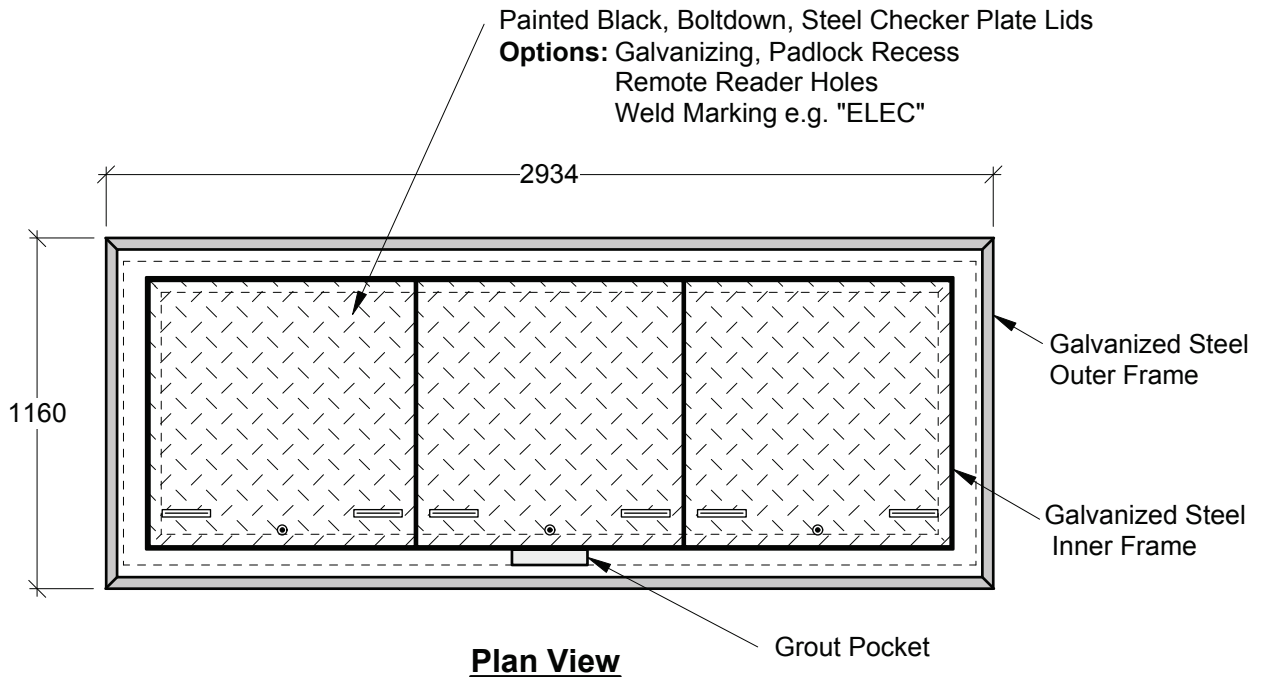
**832 Comm Vault - Bottomless**

Vault: 4,000 lbs / 1,815 kgs

Scale: 1:25 mm

Rev: 28Jun08

Dwg#: **SVTZ-2A-0832-C**



**General Notes:**

- Product manufactured in accordance with CSA A23.4
- Lift Points Provided (See Shop Drawing for Quantity & Locations)
- Designed for Boulevard (Off-Road) Use - H-20 Static Loading
- Steel Products manufactured under CSA W47.1 in accordance to CSA W59
- Site Installation, Backfilling & Suitability for Use is the responsibility of others



19060 - 54th Avenue  
 Surrey, B.C. V3S 8E5

Tel (604) 576-1808  
 info@aeconcrete.com

**832 Comm Collar & Lwt Lid Assembly**

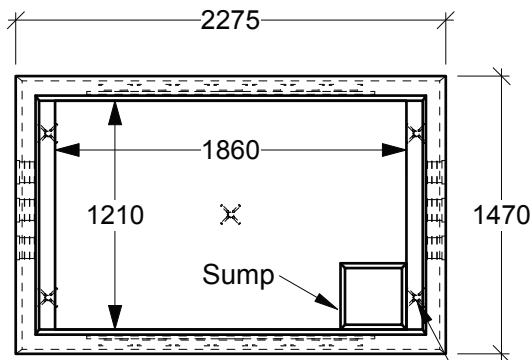
Collar & Lid: 1,720 lbs / 790 kgs

Scale: 1:25 mm

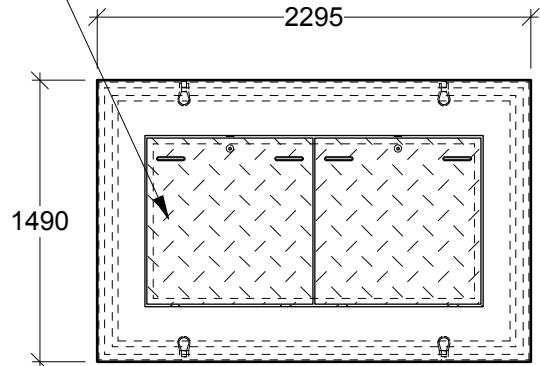
Rev: 28Jun08

Dwg#: **SVZZ-55-0832-C**

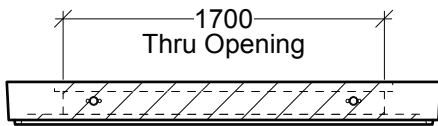
Painted Black, Bolt-down, Steel Checker Plate Lids  
**Options:** Galvanizing, Padlock Recess  
 Remote Reader Holes  
 Weld Marking e.g. "ELEC"



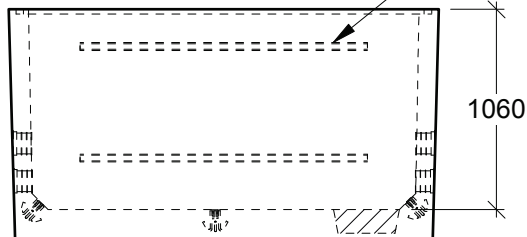
**Plan View - Vault**



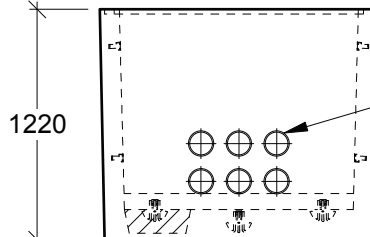
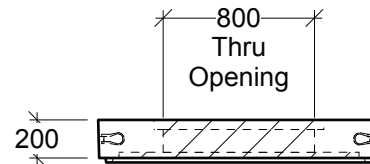
**Plan View - Collar**



Cable Support Channel



**Side View**



100Ø DB2  
 Duct Terminators  
 (Typ 12)

**End View**

**General Notes:**

- Product manufactured in accordance with CSA A23.4
- Lift Points Provided (See Shop Drawing for Quantity & Locations)
- Designed for Boulevard (Off-Road) Use - H-20 Static Loading
- Steel Products manufactured under CSA W47.1 in accordance to CSA W59
- Site Installation, Backfilling & Suitability for Use is the responsibility of others



19060 - 54th Avenue  
 Surrey, B.C. V3S 8E5

Tel (604) 576-1808  
 info@aeconcrete.com

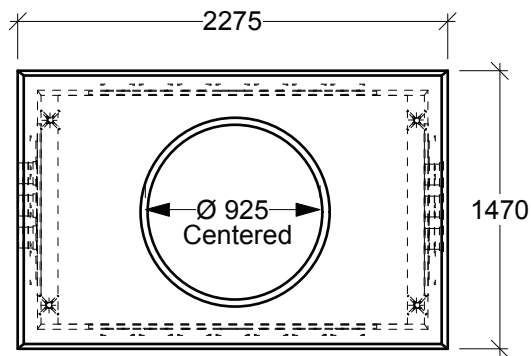
**2121 Comm Vault & Collar - Duct Terminators**

Vault: 6,850 lbs / 3,110 kgs  
 Collar: 2,370 lbs / 1,080 kgs

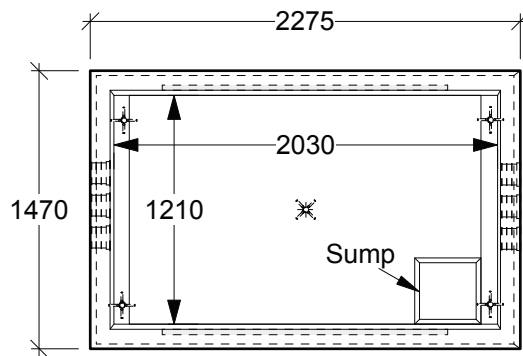
Scale: 1:40 mm

Rev: 28Jun08

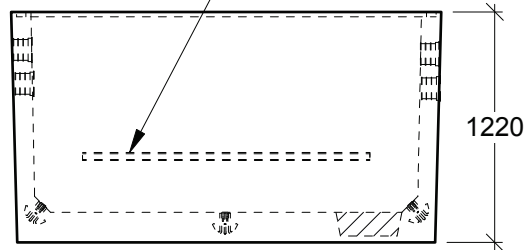
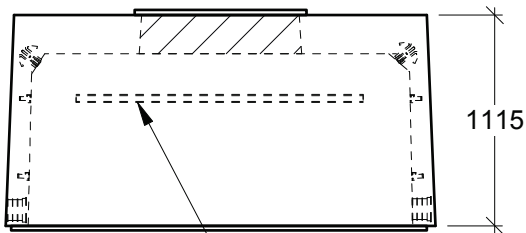
Dwg#: **VC21-NI-2121-C**



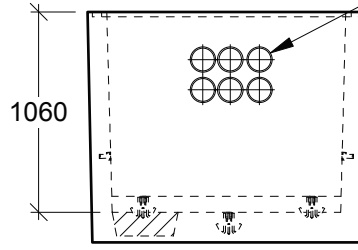
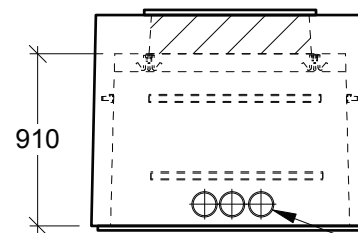
**Plan View - Top**



**Plan View - Bottom**



**Side View**



**End View**

100Ø DB2  
Duct Terminators  
(Typ 9 Each End)

**General Notes:**

- Product manufactured in accordance with CSA A23.4
- Lift Points Provided (See Shop Drawing for Quantity & Locations)
- Designed for Roadway Use - H-20 Traffic Loading
- Site Installation, Backfilling & Suitability for Use is the responsibility of others



19060 - 54th Avenue  
Surrey, B.C. V3S 8E5

Tel (604) 576-1808  
info@aeconcrete.com

**2122 Comm Chamber - Duct Terminators**

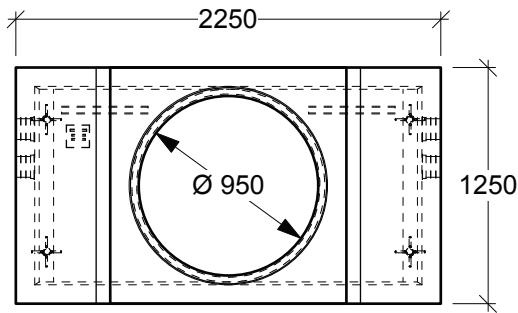
Top: 6,640 lbs / 3,020 kgs  
Btm: 6,850 lbs / 3,110 kgs

Scale: 1:40 mm

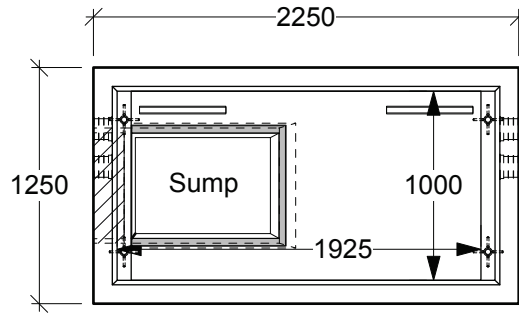
Rev: 28Jun08

Dwg#: **VC21-NH-2122-C**

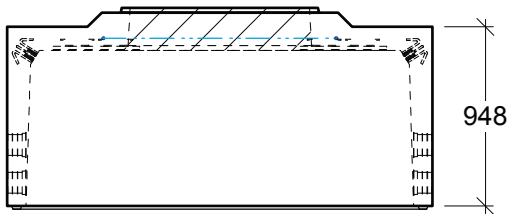




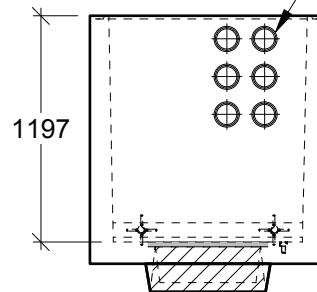
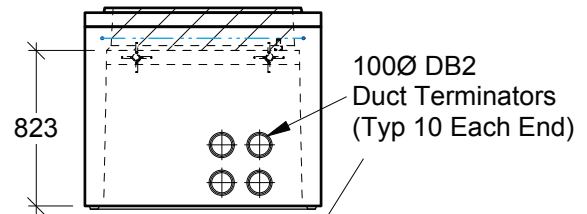
**Plan View - Top**



**Plan View - Bottom**



**Side View**



**End View**

**General Notes:**

- Product manufactured in accordance with CSA A23.4
- Lift Points Provided (See Shop Drawing for Quantity & Locations)
- Designed for Roadway Use - H-20 Traffic Loading
- Site Installation, Backfilling & Suitability for Use is the responsibility of others



19060 - 54th Avenue  
Surrey, B.C. V3S 8E5

Tel (604) 576-1808  
info@aeconcrete.com

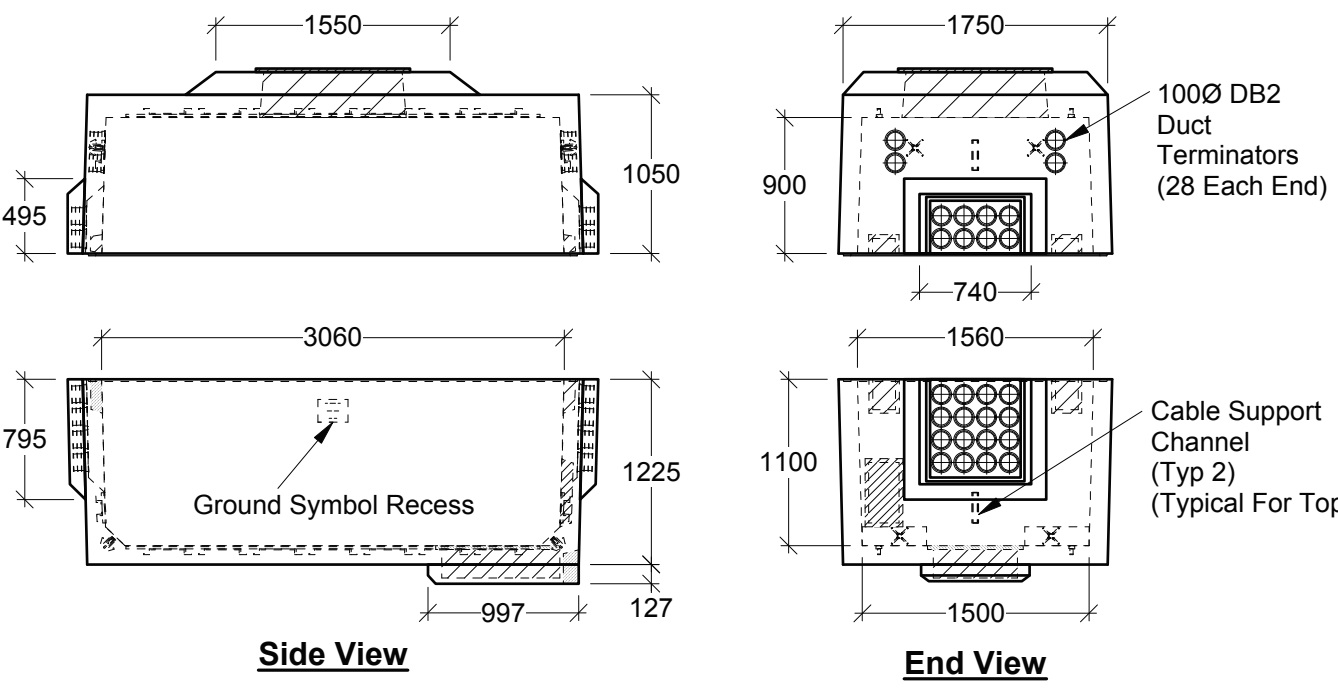
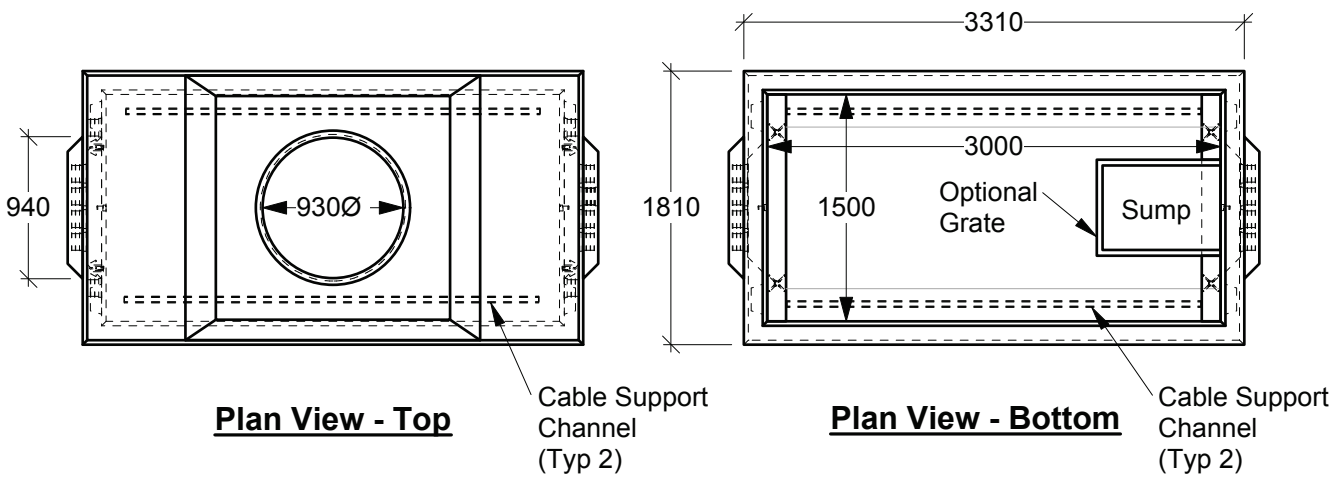
**2102 Chamber PLMH TELUS**

Top: 5,840 lbs / 2,650 kgs  
Btm: 6,770 lbs / 3,070 kgs

Scale: 1:40 mm

Rev: 28Jun08

Dwg#: **VC21-NH-2102-C**



**General Notes:**

- Product manufactured in accordance with CSA A23.4
- Lift Points Provided (See Shop Drawing for Quantity & Locations)
- Designed for Roadway Use - H-20 Traffic Loading
- Site Installation, Backfilling & Suitability for Use is the responsibility of others



19060 - 54th Avenue  
 Surrey, B.C. V3S 8E5  
 Tel (604) 576-1808  
 info@aeconcrete.com

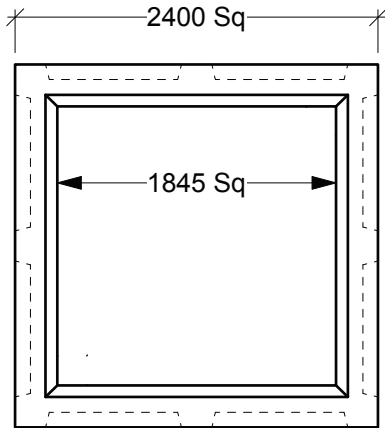
**3152 Chamber PLMH TELUS**

Top: 10,990 lbs / 4,990 kgs  
 Btm: 11,480 lbs / 5,210 kgs

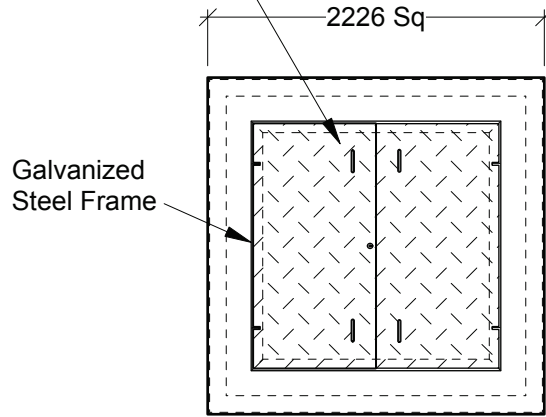
Scale: 1:50 mm      Rev: 28Jun08

Dwg#: **VC31-NH-PLMH-C**

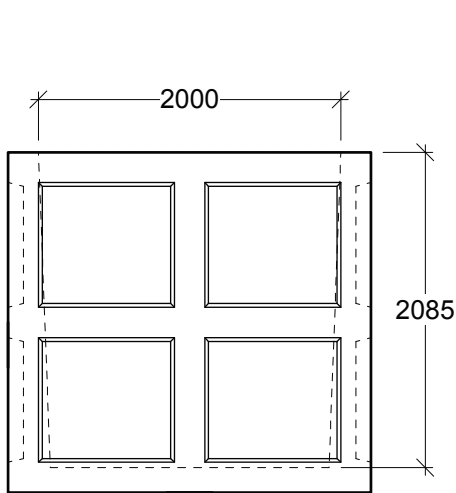
Painted Black, Boltdown, Steel Checker Plate Lids  
**Options:** Galvanizing, Padlock Recess  
 Remote Reader Holes  
 Weld Marking e.g. "ELEC"



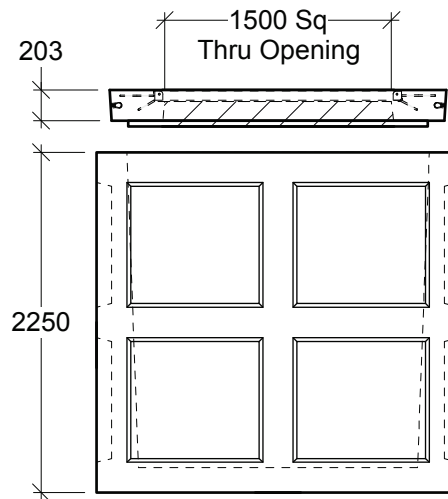
**Plan View - Chamber**



**Plan View - Collar**



**Side View**



**End View**

**General Notes:**

- Product manufactured in accordance with CSA A23.4
- Lift Points Provided (See Shop Drawing for Quantity & Locations)
- Designed for Boulevard (Off-Road) Use - H-20 Static Loading
- Design and Provision of Thrust Blocks is the responsibility of others
- Site Installation, Backfilling & Suitability for Use is the responsibility of others



19060 - 54th Avenue  
 Surrey, B.C. V3S 8E5

Tel (604) 576-1808  
 info@aeconcrete.com

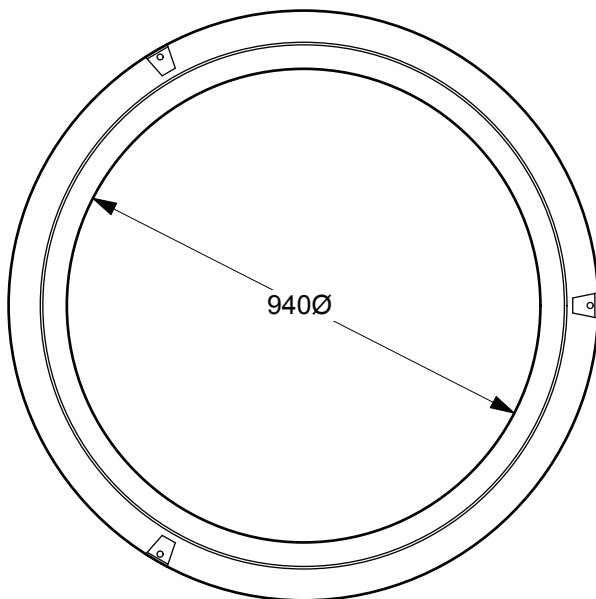
**2221 Chamber & Collar**

Chamber: 22,990 lbs / 10,430 kgs  
 Collar: 3,390 lbs / 1,540 kgs

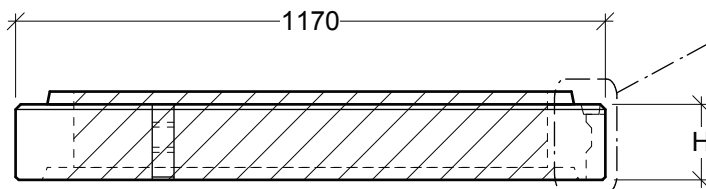
Scale: 1:50mm

Rev: 28Jun08

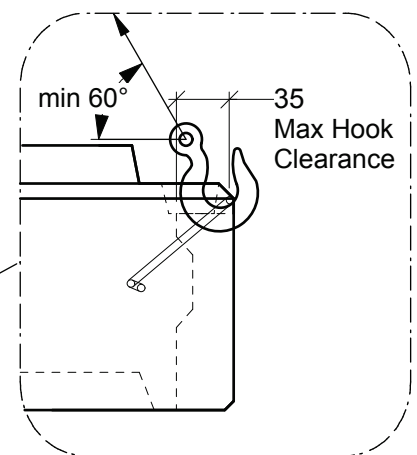
Dwg#: **VC22-N9-2221-C**



**Plan View**



**Side View**



**General Notes:**

- Product manufactured in accordance with CSA A23.4
- Site Installation, Backfilling & Suitability for Use is the responsibility of others
- Suitable for C23 / C23A Cast Iron Frame & Cover
- **Hook Size:** 10-8 (WLL= 3.15 T) Fits Recess
- **Maximum Lift:** 4 Risers w/ Lift Loops but lifting Voids Must align with 2nd Product otherwise Damage may Occur (min 1500 Rigging Length w/ 3 Lifter Bridle)
- Risers to be Set using Non-Shrink Grout by Others



19060 - 54th Avenue  
Surrey, B.C. V3S 8E5

Tel (604) 576-1808  
info@aeconcrete.com

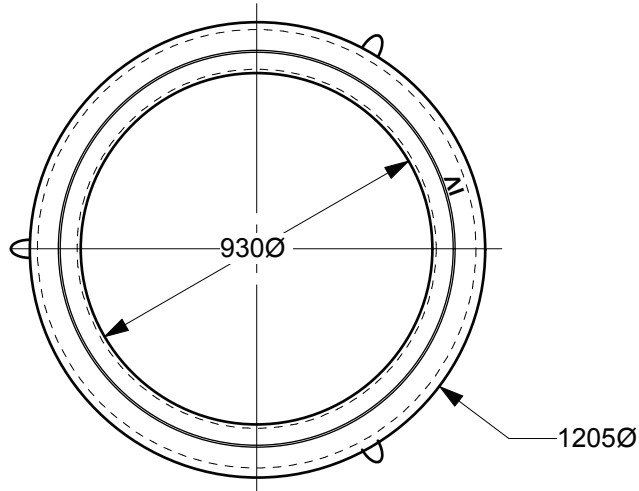
**Riser Rings 915Ø**

H = 100 (4"): 200 lbs / 95 kgs, 12 / Pallet  
 H = 127 (5"): 250 lbs / 115 kgs, 10 / Pallet  
 H = 152 (6"): 300 lbs / 140 kgs, 8 / Pallet

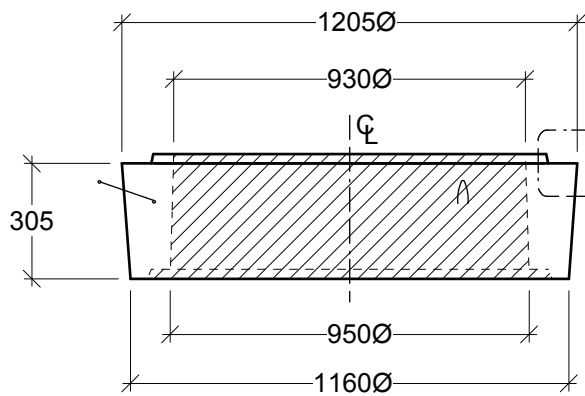
Scale: 1:15 mm

Rev: 02Dec16

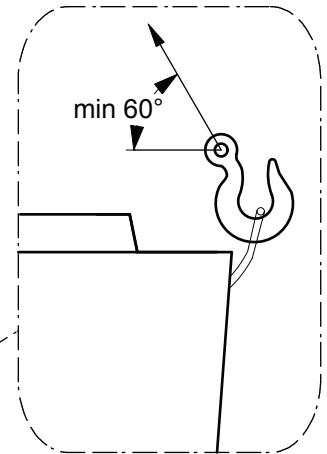
Dwg#: **SVTZ-41-01ZZ-C**



**Plan View**



**Elevation View**



**General Notes:**

- Product manufactured in accordance with CSA A23.4
- Site Installation, Backfilling & Suitability for Use is the responsibility of others
- Suitable for C23 / C23A Cast Iron Frame & Cover
- **Maximum Lift:** 4 Risers w/ Lift Loops (min 2100 Rigging Length w/ 3 Lifter Bridle)
- Risers to be Set using Non-Shrink Grout by Others



19060 - 54th Avenue  
Surrey, B.C. V3S 8E5

Tel (604) 576-1808  
info@aeconcrete.com

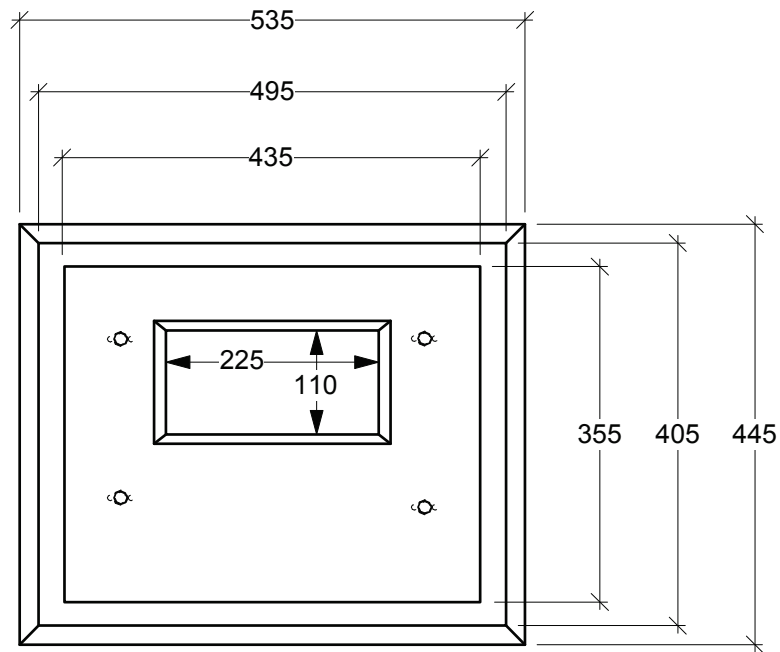
**Riser Ring 9150**

H = 305 (12"): 680 lbs / 310 kgs, 4 / Pallet

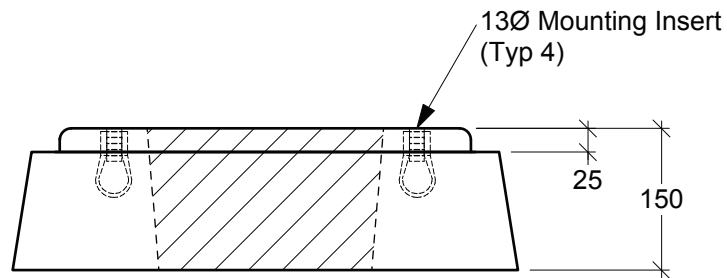
Scale: 1:20 mm

Rev: 17Feb17

Dwg#: **SVTZ-41-0300-C**



**Plan View**



**Side View**

**General Notes:**

- Product manufactured in accordance with CSA A23.4.
- Lift Points Provided (See Shop Drawing for Quantity & Locations).
- Site Installation, Backfilling & Suitability for Use is the responsibility of others.



19060 - 54th Avenue  
Surrey, B.C. V3S 8E5

Tel (604) 576-1808  
info@aeconcrete.com

**900 or 600 MS<sup>2</sup> TEL Pad**

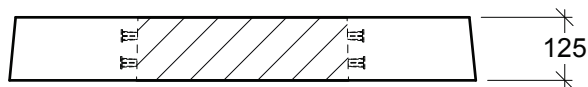
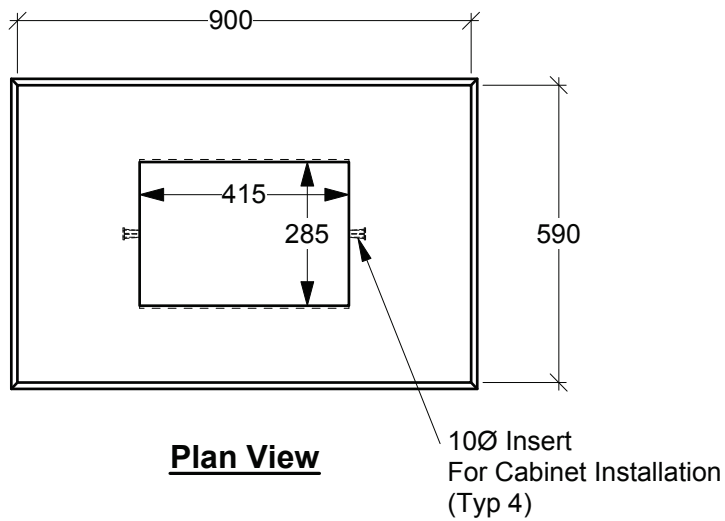
(TEL Stock# SA-100058)

Pad: 150 lbs / 70 kgs

Scale: 1:8 mm

Rev: 28Jun08

Dwg#: **OSAC-ZZ-6090-C**



**General Notes:**

- Product manufactured in accordance with CSA A23.4.
- Lift Points Provided (See Shop Drawing for Quantity & Locations).
- Reliance TV-1016 CATV Closure Supplied by Others.
- Site Installation, Backfilling & Suitability for Use is the responsibility of others.



19060 - 54th Avenue  
Surrey, B.C. V3S 8E5

Tel (604) 576-1808  
info@aeconcrete.com

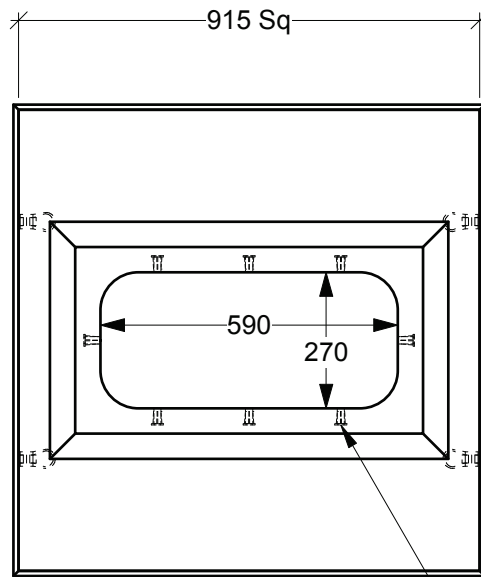
**CATV A-100 Amplifier Pad**

Pad: 300 lbs / 140 kgs

Scale: 1:15 mm

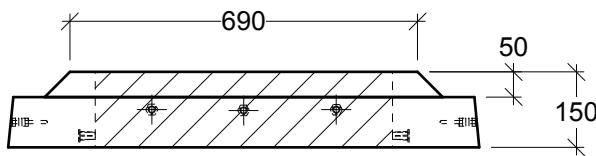
Rev: 28Jun08

Dwg#: **CATV-ZZ-AMPL-C**

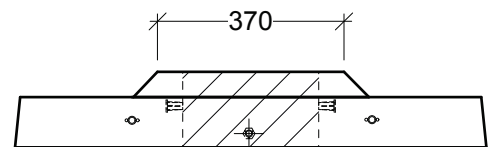


**Plan View**

10Ø Insert  
For Cabinet Installation  
(Typ 8)



**Side View**



**End View**

**General Notes:**

- Product manufactured in accordance with CSA A23.4
- Lift Points Provided (See Shop Drawing for Quantity & Locations)
- Site Installation, Backfilling & Suitability for Use is the responsibility of others



19060 - 54th Avenue  
Surrey, B.C. V3S 8E5

Tel (604) 576-1808  
info@aeconcrete.com

**CATV F0-200 Fiber Optics Pad**

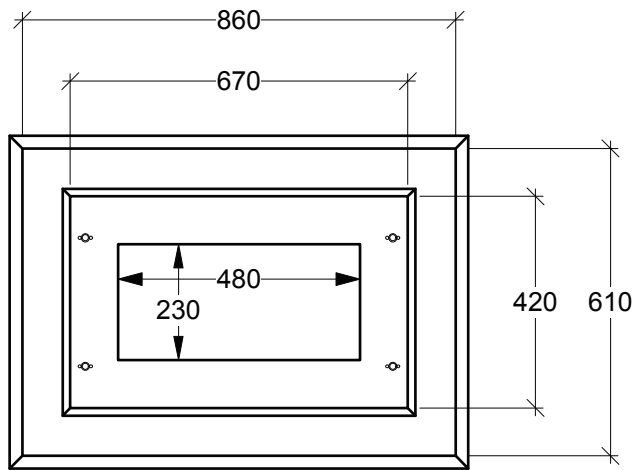
Pad: 430 lbs / 200 kgs

Scale: 1:15 mm

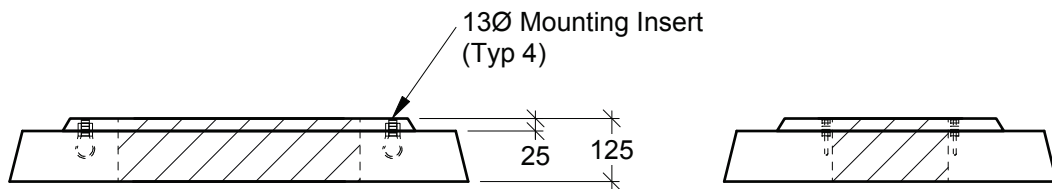
Rev: 28Jun08

Dwg#: **CATV-ZZ-FIBR-C**





**Plan View**



**Side View**

**End View**

**General Notes:**

- Product manufactured in accordance with CSA A23.4
- Lift Points Provided (See Shop Drawing for Quantity & Locations)
- Site Installation, Backfilling & Suitability for Use is the responsibility of others



19060 - 54th Avenue  
Surrey, B.C. V3S 8E5

Tel (604) 576-1808  
info@aeconcrete.com

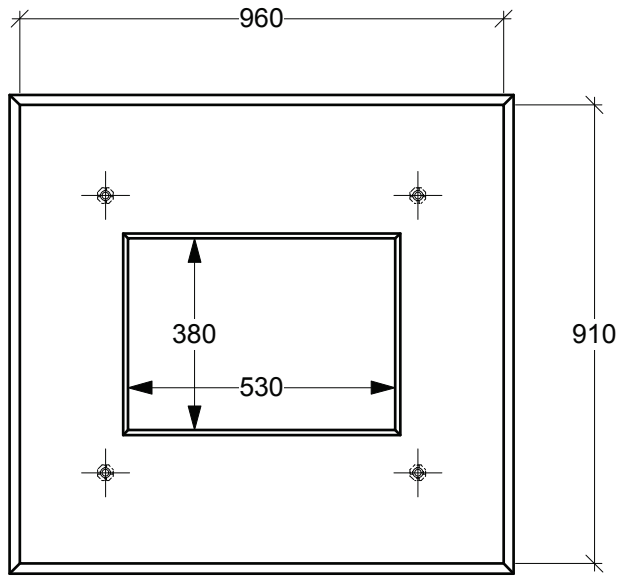
**CATV P-300 Power Pad**

Pad: 270 lbs / 130 kgs

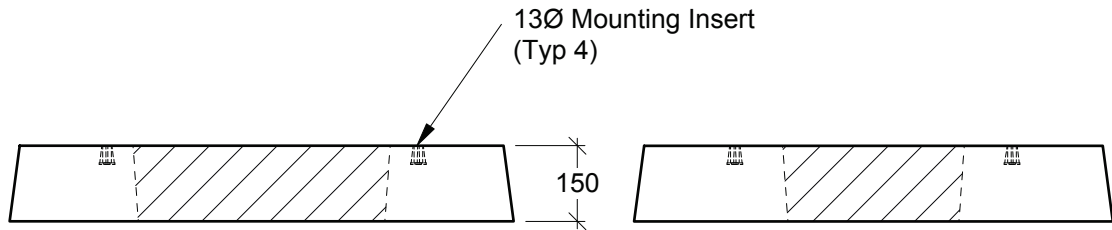
Scale: 1:15 mm

Rev: 28Jun08

Dwg#: **CATV-ZZ-POWR-C**



**Plan View**



**Side View**

**End View**

**General Notes:**

- Product manufactured in accordance with CSA A23.4
- Lift Points Provided (See Shop Drawing for Quantity & Locations)
- Site Installation, Backfilling & Suitability for Use is the responsibility of others



19060 - 54th Avenue  
Surrey, B.C. V3S 8E5

Tel (604) 576-1808  
info@aeconcrete.com

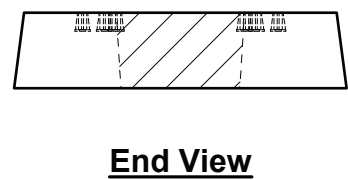
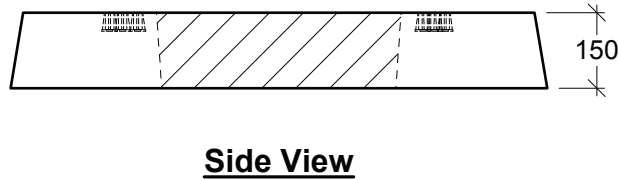
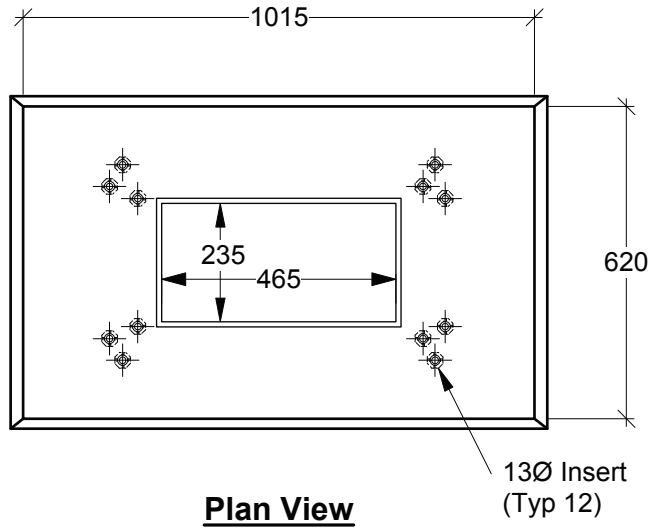
**CATV 4828 Power / Amplifier Pad**

Pad: 670 lbs / 305 kgs

Scale: 1:15 mm

Rev: 28Oct14

Dwg#: **CATV-ZZ-4828-C**



**General Notes:**

- Product manufactured in accordance with CSA A23.4
- Lift Points Provided (See Shop Drawing for Quantity & Locations)
- For Cabinets: SPE-2048, SPE-4818, Rhino R4818, & Alpha UPE-3
- Site Installation, Backfilling & Suitability for Use is the responsibility of others



19060 - 54th Avenue  
Surrey, B.C. V3S 8E5

Tel (604) 576-1808  
info@aeconcrete.com

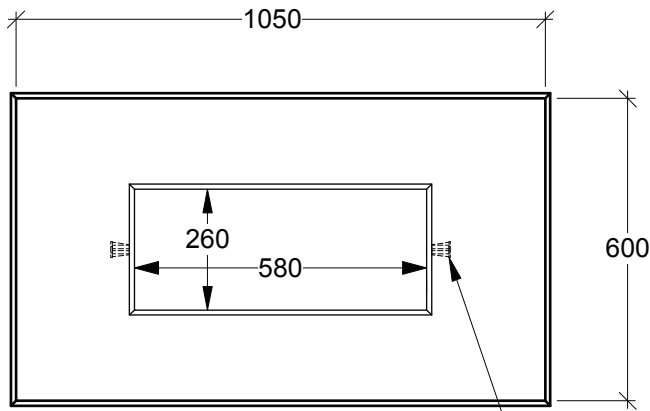
**CATV P/A-400 Power / Amplifier Pad**

Pad: 480 lbs / 220 kgs

Scale: 1:15 mm

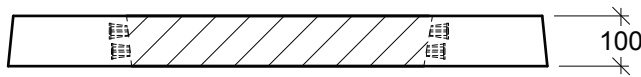
Rev: 28Jun08

Dwg#: **CATV-ZZ-POAM-C**

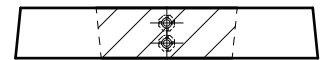


**Plan View**

10Ø Insert  
For Cabinet Installation  
(Typ 4)



**Side View**



**End View**

**General Notes:**

- Product manufactured in accordance with CSA A23.4.
- Lift Points Provided (See Shop Drawing for Quantity & Locations).
- Reliance TV-1024 CATV Closure Supplied by Others.
- Site Installation, Backfilling & Suitability for Use is the responsibility of others.



19060 - 54th Avenue  
Surrey, B.C. V3S 8E5

Tel (604) 576-1808  
info@aeconcrete.com

**CATV A-200 Pad (TV - 1024)**

Pad: 280 lbs / 130 kgs

Scale: 1:15 mm

Rev: 28Jun08

Dwg#: **CATV-ZZ-1024-C**