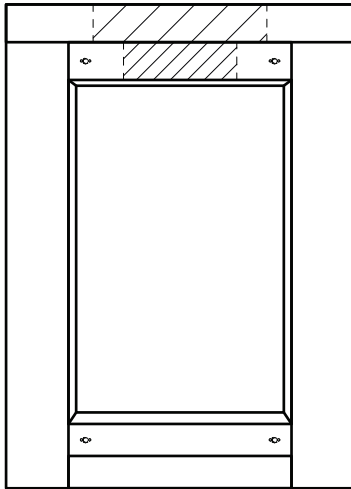
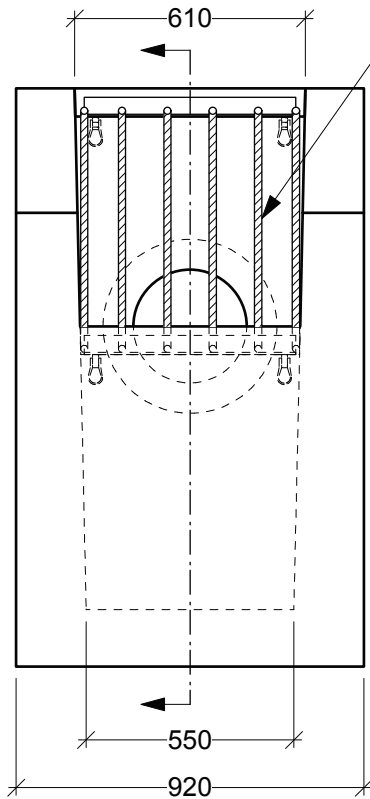


Headwall Listings

<u>Drawing Number</u>	<u>Item Description</u>	<u>Product Size</u> (Length X Width X Depth in mm)
HDSP-21-ZZZZ-C	Highways 16-SP 219 w/ Grillage, MOTH Dwg# SP582-04.01 (For up to 450mmØ RCP Pipe)	1280 x 920 x 1530 o.d.
HD01-21-ZZZZ-C	Type 1 Inlet w/ Grillage (For up to 450mmØ RCP Pipe)	870 x 750 x 1300 o.d.
HD02-21-ZZZZ-C	Type 2 Inlet w/ Grillage (For up to 450mmØ RCP Pipe)	1060 x 1280 x 1170 o.d.
HD02-20-ZZZZ-C	Type 2 Outlet w/ Grillage (For up to 450mmØ RCP Pipe)	1060 x 1280 x 1170 o.d.
HD11-21-ZZZZ-C	11-13 Inlet w/ Grillage (For up to 600mmØ RCP Pipe)	1405 x 2610 x 1525 o.d.
HD11-20-ZZZZ-C	11-13 Outlet w/ Grillage (For up to 600mmØ RCP Pipe)	1405 x 2610 x 1525 o.d.
HD14-21-ZZZZ-C	14-15 Inlet w/ Grillage (For up to 750mmØ RCP Pipe)	1405 x 2910 x 1725 o.d.
HD14-20-ZZZZ-C	14-15 Outlet w/ Grillage (For up to 750mmØ RCP Pipe)	1405 x 2910 x 1725 o.d.
HD16-21-ZZZZ-C	16-20 Inlet w/ Grillage (For up to 1200mmØ RCP Pipe)	1405 x 3310 x 2275 o.d.
HD16-20-ZZZZ-C	16-20 Outlet w/ Grillage (For up to 1200mmØ RCP Pipe)	1405 x 3110 x 2275 o.d.
HD35-20-2000-C	35-30 Custom Headwall Inlet/Outlet (Variable Backwall Width & Height)	2300 x 5010 x 3000 o.d.
HDOT-01-DISS-C	Custom Three Block Outfall Dissipator	Varies
HDOT-02-DISS-C	Custom V-Notch Weir Outfall Dissipator	Varies
HDZZ-GH-HAND-C	Headwall Handrail	Varies
HD00-ZZ-FISH-C	Fish Ladder	1400 x 900 x 1250

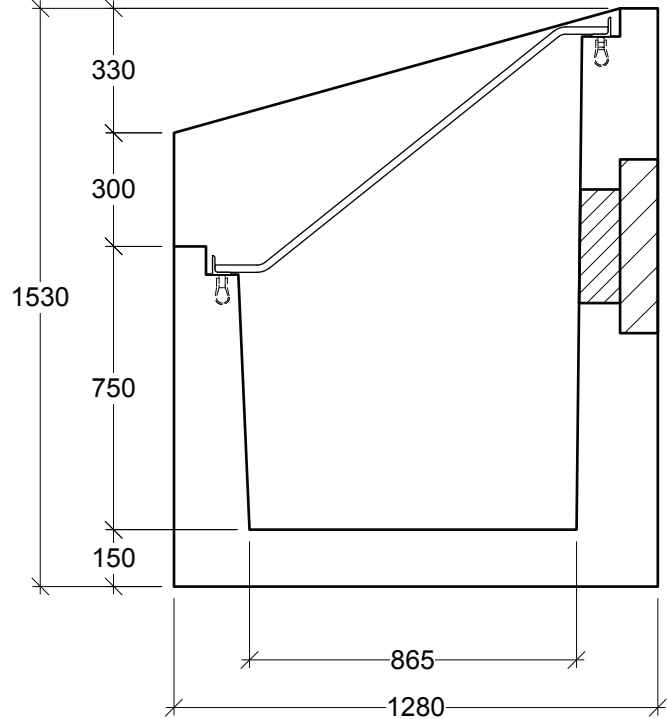


Plan View



Front View

Galvanized
Grillage



Section

General Notes:

- Product manufactured in accordance with CSA A23.4
- Custom Pipe Openings Available
- Lift Points Provided (See Shop Drawing for Quantity & Locations)
- Steel Products manufactured under CSA W47.1 in accordance to CSA W59
- Site Installation, Backfilling & Suitability for Use is the responsibility of others



19060 - 54th Avenue
Surrey, B.C. V3S 8E5

Tel (604) 576-1808
info@aeconcrete.com

Highways 16-SP219 Inlet

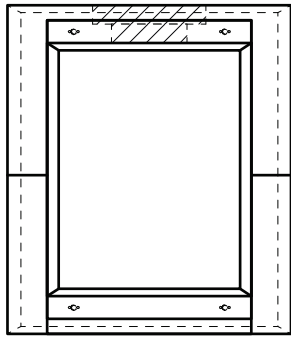
(For up to 450mmØ RCP / 2003 MoT Dwg# SP582-04.01 Inlet)

Headwall: 4,860 lbs / 2,210 kgs

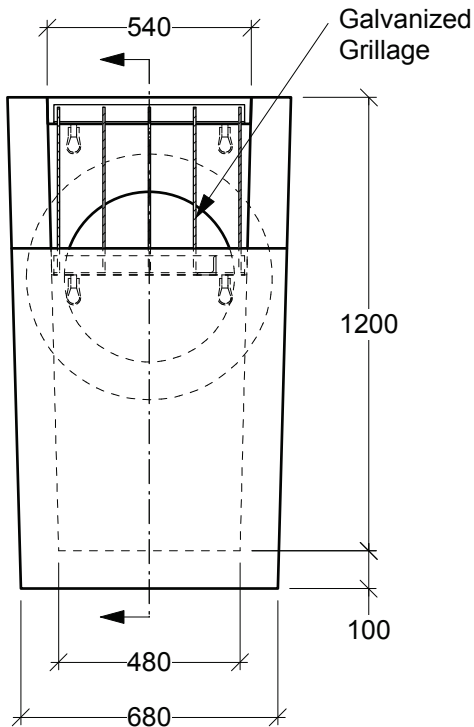
Scale: 1:20 mm

Rev: 28Jul08

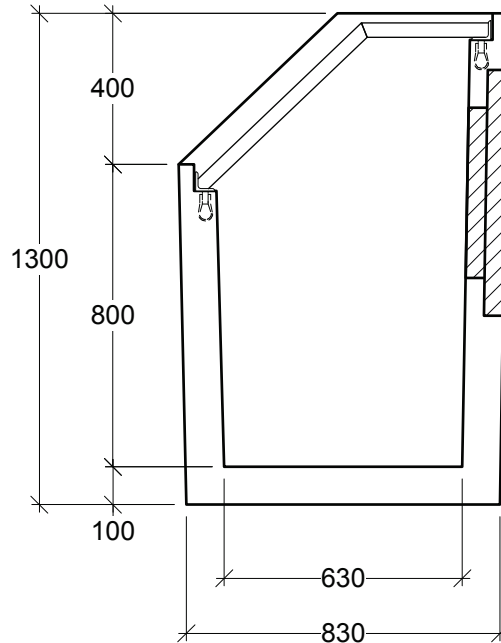
Dwg#: **HDSP-21-ZZZZ-C**



Plan View



Front View



Section

General Notes:

- Product manufactured in accordance with CSA A23.4
- Custom Pipe Openings Available
- Lift Points Provided (See Shop Drawing for Quantity & Locations)
- Steel Products manufactured under CSA W47.1 in accordance to CSA W59
- Site Installation, Backfilling & Suitability for Use is the responsibility of others



19060 - 54th Avenue
Surrey, B.C. V3S 8E5

Tel (604) 576-1808
info@aeconcrete.com

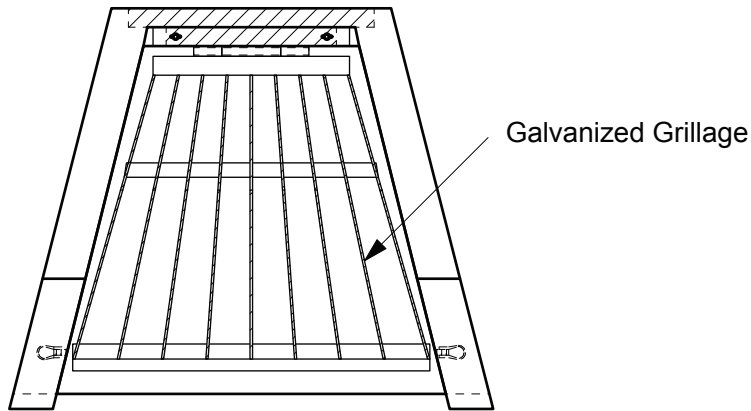
Type 1 Inlet
(For up to 450mmØ RCP)

Headwall: 1,950 lbs / 885 kgs

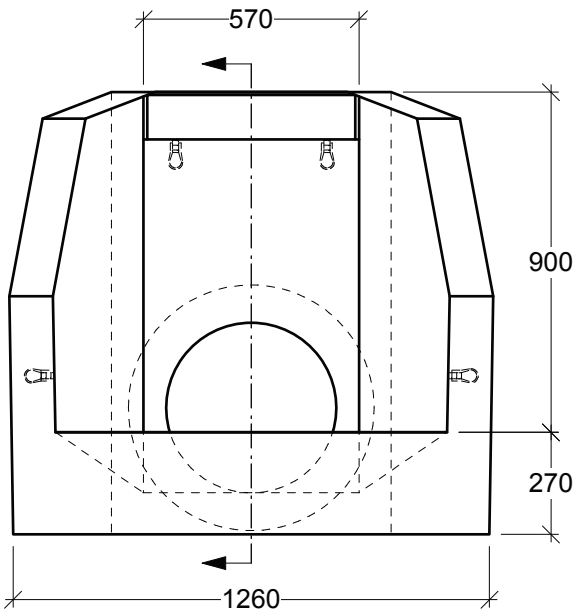
Scale: 1:20 mm

Rev: 28Jun08

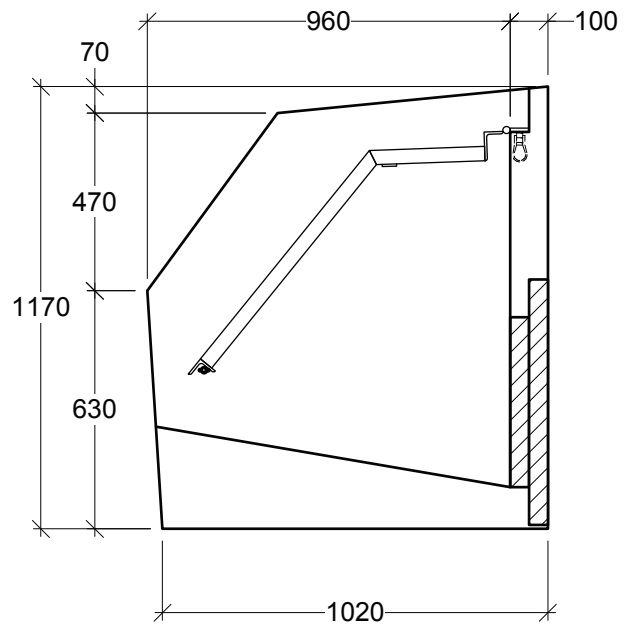
Dwg#: **HD01-21-ZZZZ-C**



Plan View



Front View



Section

General Notes:

- Product manufactured in accordance with CSA A23.4
- Custom Pipe Openings Available
- Lift Points Provided (See Shop Drawing for Quantity & Locations)
- Steel Products manufactured under CSA W47.1 in accordance to CSA W59
- Site Installation, Backfilling & Suitability for Use is the responsibility of others



19060 - 54th Avenue
Surrey, B.C. V3S 8E5

Tel (604) 576-1808
info@aeconcrete.com

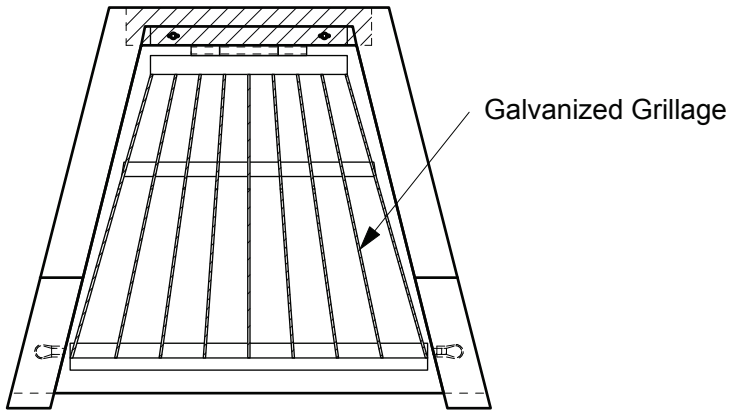
Type 2 Inlet
(For up to 450mmØ RCP)

Headwall: 2,240 lbs / 1,020 kgs

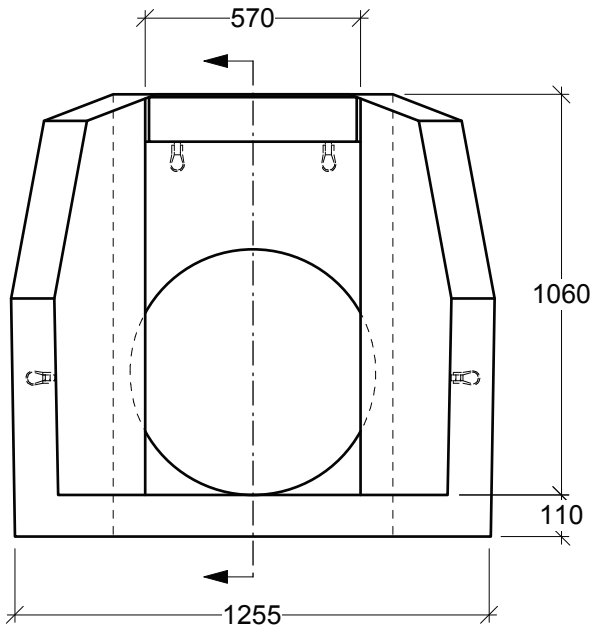
Scale: 1:20 mm

Rev: 28Jun08

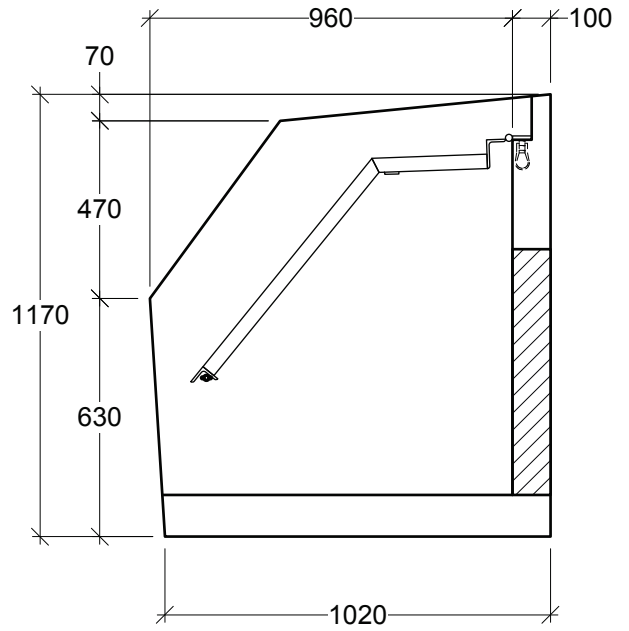
Dwg#: **HD02-21-ZZZZ-C**



Plan View



Front View



Section

General Notes:

- Product manufactured in accordance with CSA A23.4
- Custom Pipe Openings Available
- Lift Points Provided (See Shop Drawing for Quantity & Locations)
- Steel Products manufactured under CSA W47.1 in accordance to CSA W59
- Site Installation, Backfilling & Suitability for Use is the responsibility of others



19060 - 54th Avenue
Surrey, B.C. V3S 8E5

Tel (604) 576-1808
info@aeconcrete.com

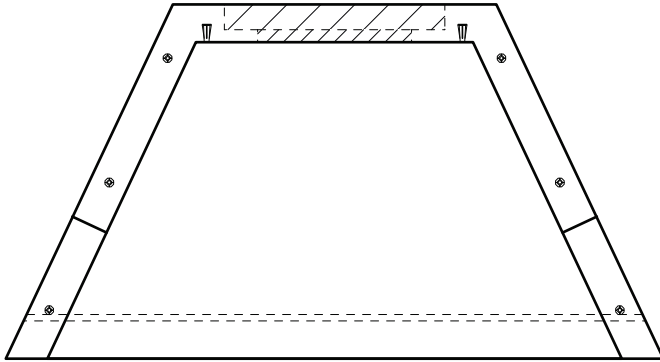
Type 2 Outlet
(For up to 450mmØ RCP)

Headwall: 2,240 lbs / 1,020 kgs

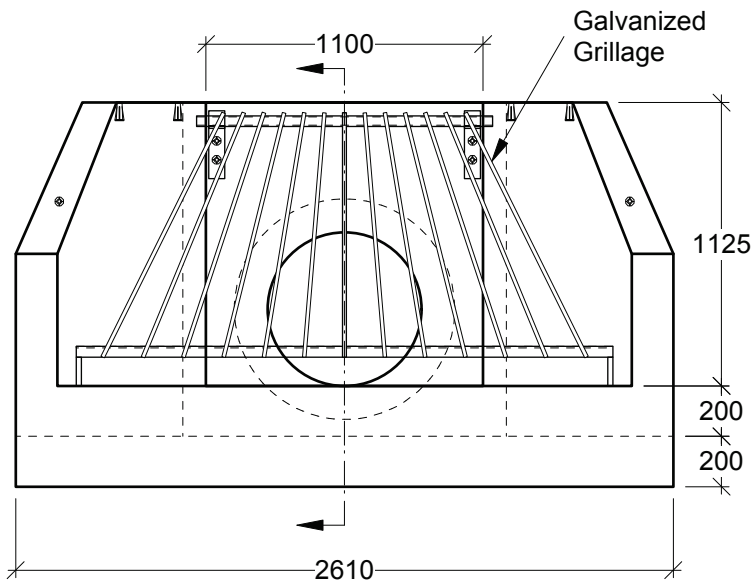
Scale: 1:20 mm

Rev: 28Jun08

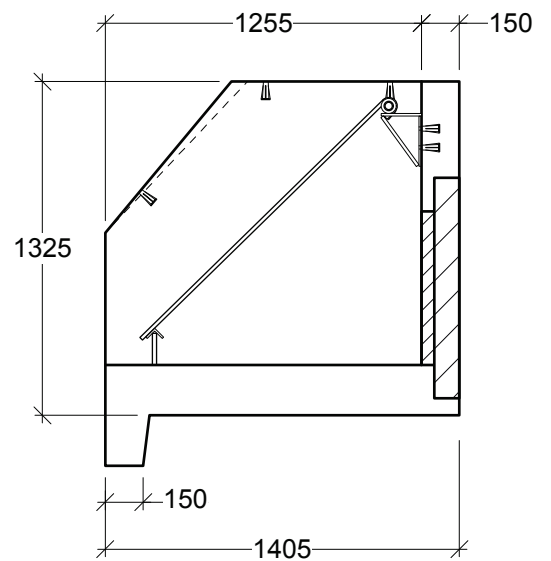
Dwg#: **HD02-20-ZZZZ-C**



Plan View



Front View



Section

General Notes:

- Product manufactured in accordance with CSA A23.4
- Custom Pipe Openings Available
- Lift Points Provided (See Shop Drawing for Quantity & Locations)
- Steel Products manufactured under CSA W47.1 in accordance to CSA W59
- Site Installation, Backfilling & Suitability for Use is the responsibility of others



19060 - 54th Avenue
Surrey, B.C. V3S 8E5

Tel (604) 576-1808
info@aeconcrete.com

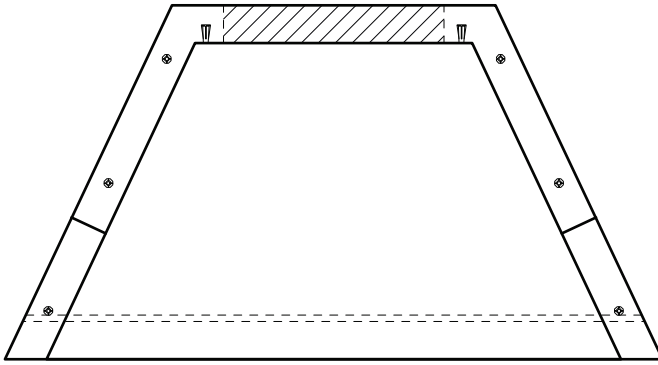
11-13 Inlet
(For up to 600mmØ RCP)

Headwall: 6,700 lbs / 3,040 kgs
Grillage: 100 lbs / 45 kgs

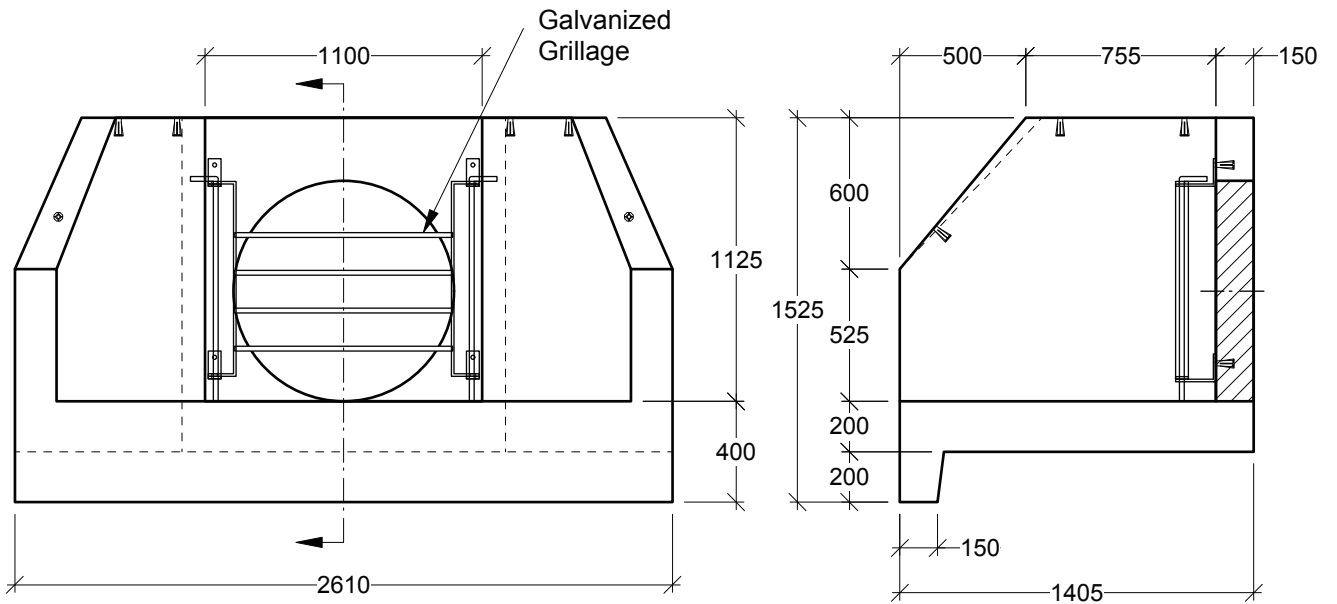
Scale: 1:30 mm

Rev: 28Jun08

Dwg#: **HD11-21-ZZZZ-C**



Plan View



Front View

Section

General Notes:

- Product manufactured in accordance with CSA A23.4
- Custom Pipe Openings Available
- Lift Points Provided (See Shop Drawing for Quantity & Locations)
- Steel Products manufactured under CSA W47.1 in accordance to CSA W59
- Site Installation, Backfilling & Suitability for Use is the responsibility of others



19060 - 54th Avenue
Surrey, B.C. V3S 8E5

Tel (604) 576-1808
info@aeconcrete.com

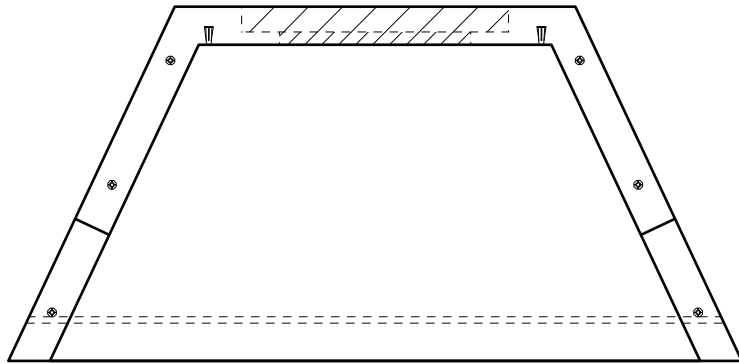
11-13 Outlet
(For up to 600mmØ RCP)

Headwall: 6,570 lbs / 2,990 kgs
Grillage: 52 lbs / 24 kgs

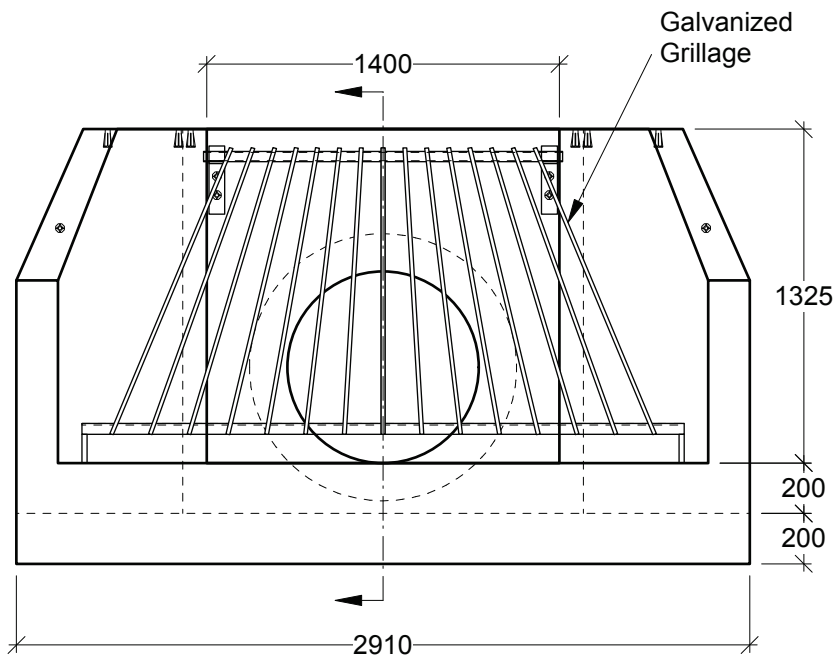
Scale: 1:30 mm

Rev: 28Jun08

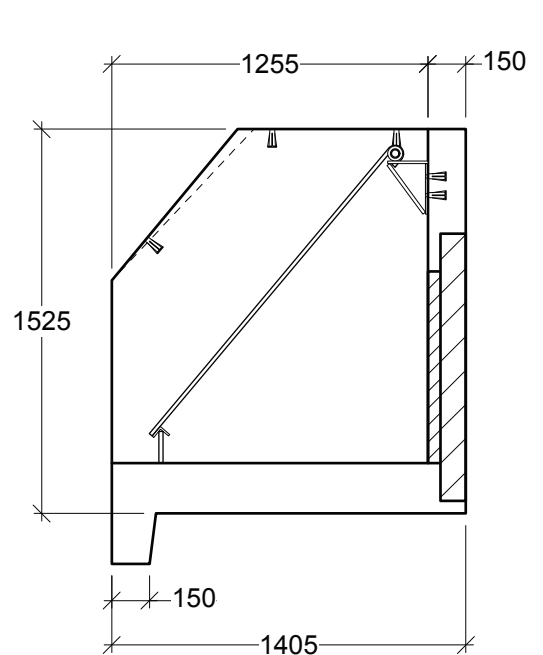
Dwg#: **HD11-20-ZZZZ-C**



Plan View



Front View



Section

General Notes:

- Product manufactured in accordance with CSA A23.4
- Custom Pipe Openings Available
- Lift Points Provided (See Shop Drawing for Quantity & Locations)
- Steel Products manufactured under CSA W47.1 in accordance to CSA W59
- Site Installation, Backfilling & Suitability for Use is the responsibility of others



19060 - 54th Avenue
Surrey, B.C. V3S 8E5

Tel (604) 576-1808
info@aeconcrete.com

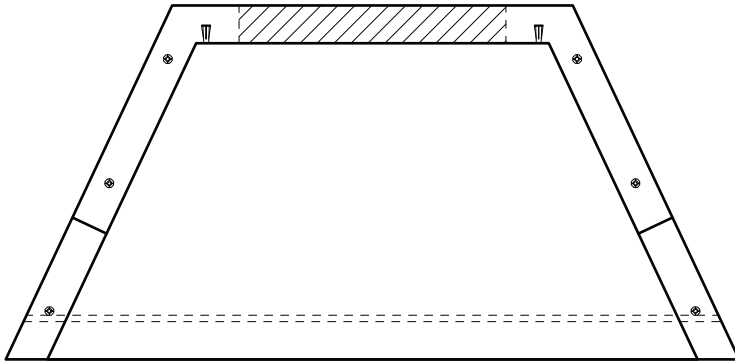
14-15 Inlet
(For up to 750mmØ RCP)

Headwall: 8,630 lbs / 3,915 kgs
Grillage: 169 lbs / 77 kgs

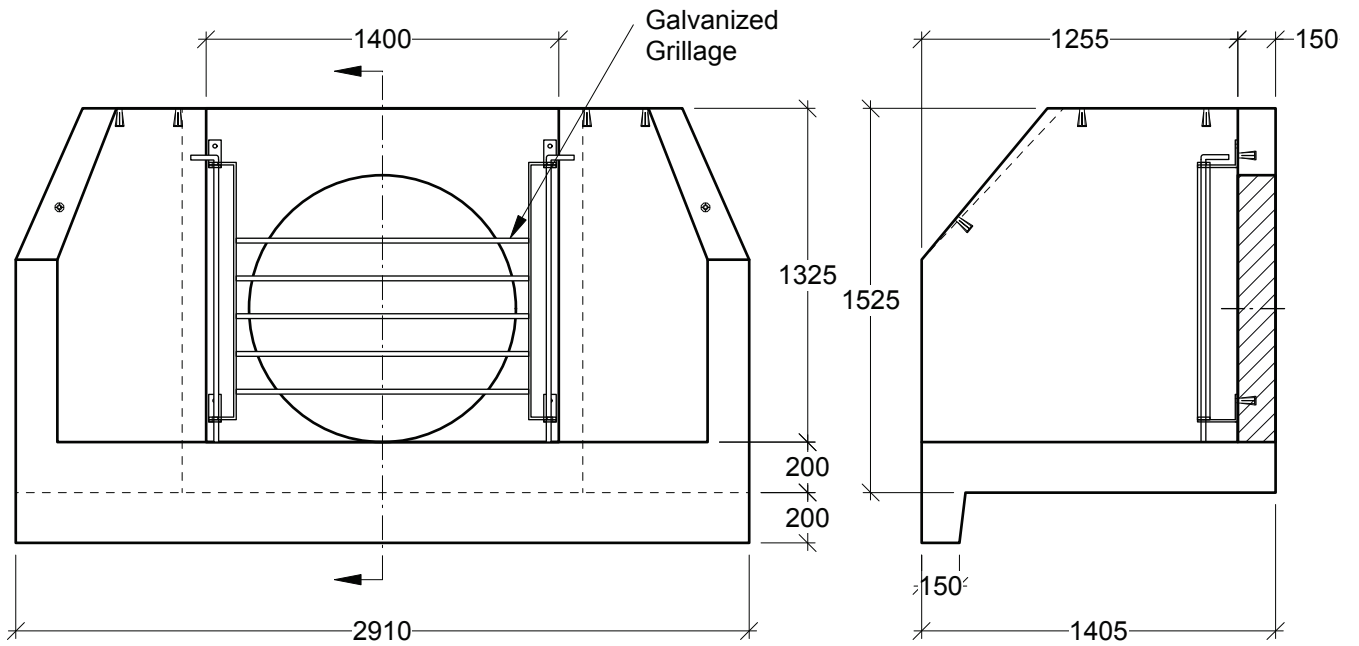
Scale: 1:30 mm

Rev: 15Jul15

Dwg#: **HD14-21-ZZZZ-C**



Plan View



Front View

Section

General Notes:

- Product manufactured in accordance with CSA A23.4
- Custom Pipe Openings Available
- Lift Points Provided (See Shop Drawing for Quantity & Locations)
- Steel Products manufactured under CSA W47.1 in accordance to CSA W59
- Site Installation, Backfilling & Suitability for Use is the responsibility of others



19060 - 54th Avenue
Surrey, B.C. V3S 8E5

Tel (604) 576-1808
info@aeconcrete.com

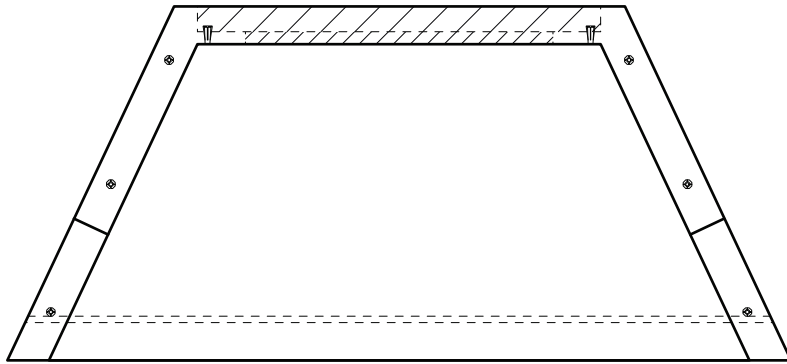
14-15 Outlet
(For up to 750mmØ RCP)

Headwall: 8,630 lbs / 3,915 kgs
Grillage: 84 lbs / 38 kgs

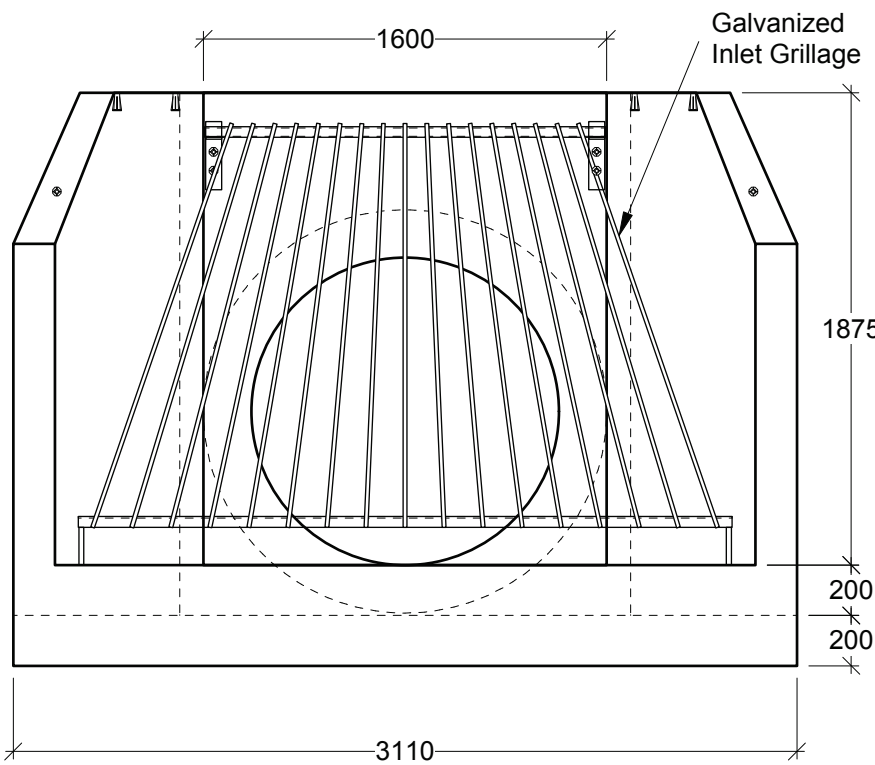
Scale: 1:30 mm

Rev: 15Jul15

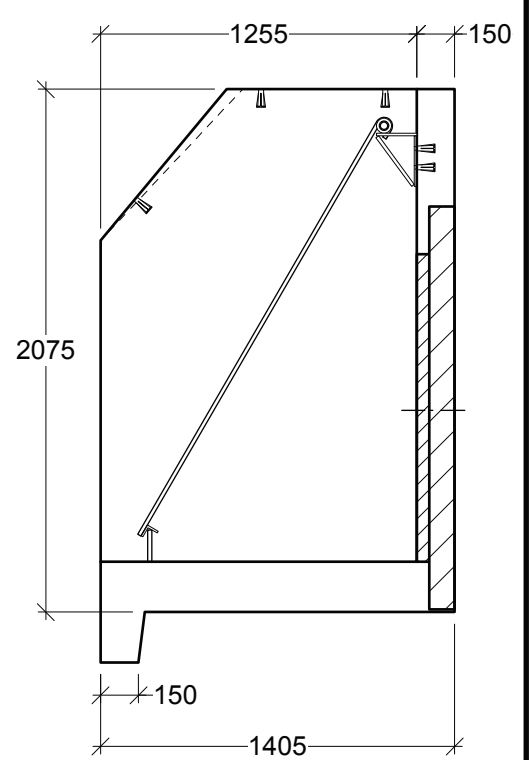
Dwg#: **HD14-20-ZZZZ-C**



Plan View



Front View



Section

General Notes:

- Product manufactured in accordance with CSA A23.4
- Custom Pipe Openings Available
- Lift Points Provided (See Shop Drawing for Quantity & Locations)
- Steel Products manufactured under CSA W47.1 in accordance to CSA W59
- Site Installation, Backfilling & Suitability for Use is the responsibility of others



19060 - 54th Avenue
Surrey, B.C. V3S 8E5

Tel (604) 576-1808
info@aeconcrete.com

16-20 Inlet

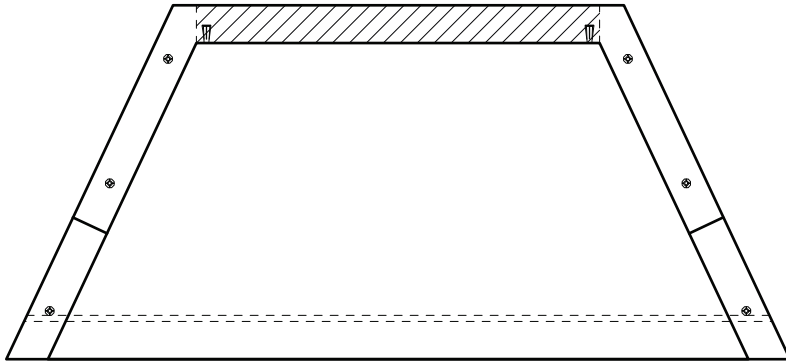
(For up to 1200mmØ RCP)

Headwall: 11,130 lbs / 5,050 kgs
Grillage: 244 lbs / 111 kgs

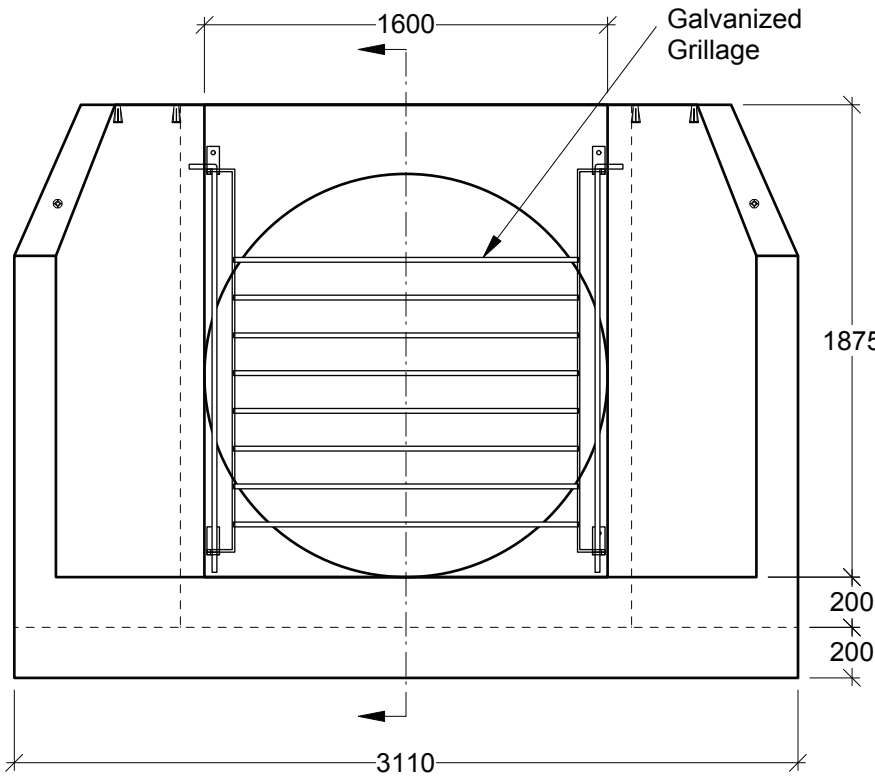
Scale: 1:30 mm

Rev: 28Jun08

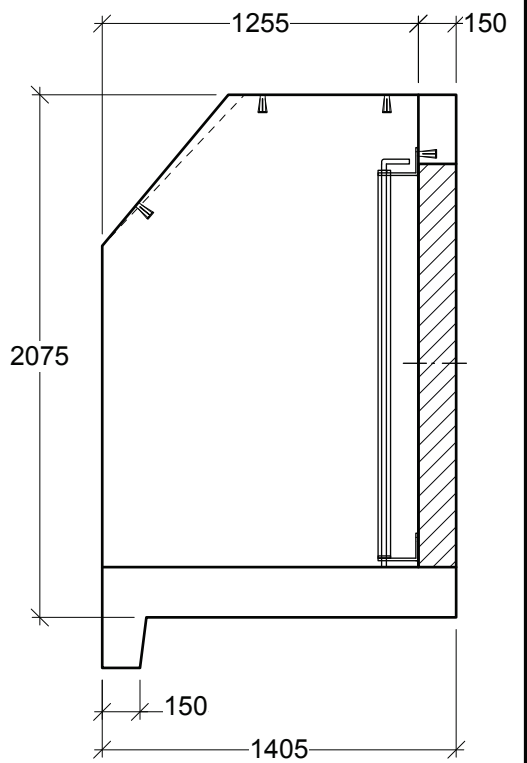
Dwg#: **HD16-21-ZZZZ-C**



Plan View



Front View



Section

General Notes:

- Product manufactured in accordance with CSA A23.4
- Custom Pipe Openings Available
- Lift Points Provided (See Shop Drawing for Quantity & Locations)
- Steel Products manufactured under CSA W47.1 in accordance to CSA W59
- Site Installation, Backfilling & Suitability for Use is the responsibility of others



19060 - 54th Avenue
Surrey, B.C. V3S 8E5

Tel (604) 576-1808
info@aeconcrete.com

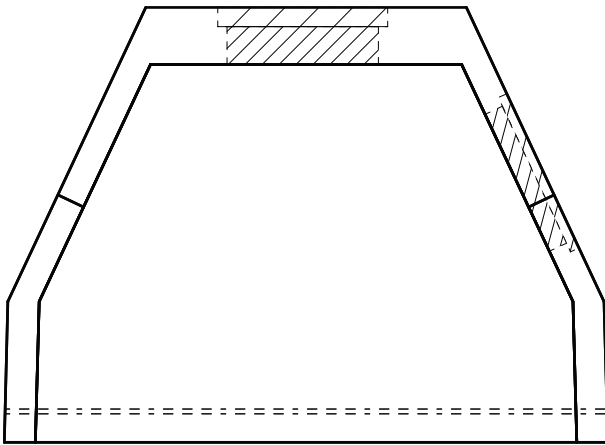
16-20 Outlet
(For up to 1200mmØ RCP)

Headwall: 11,130 lbs / 5,050 kgs
Grillage: 106 lbs / 48 kgs

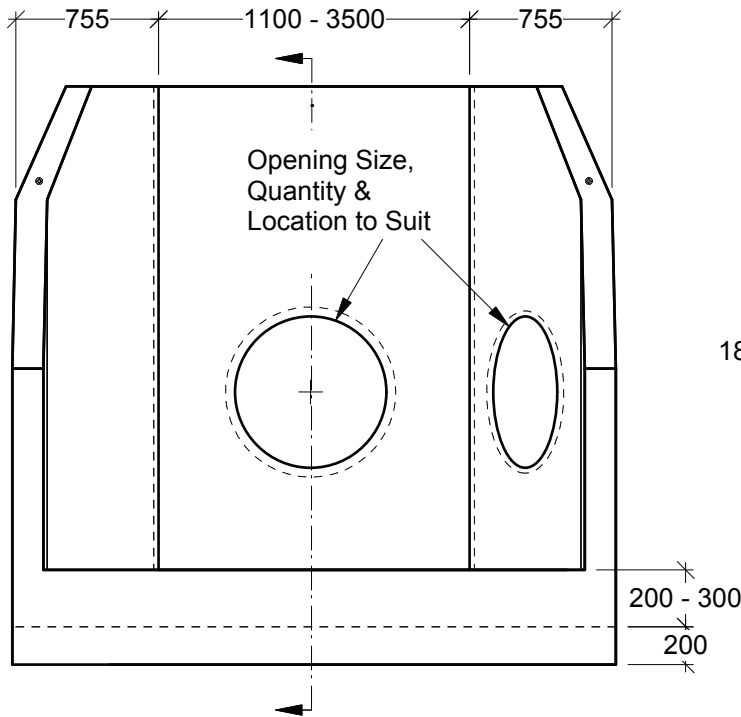
Scale: 1:30 mm

Rev: 28Jun08

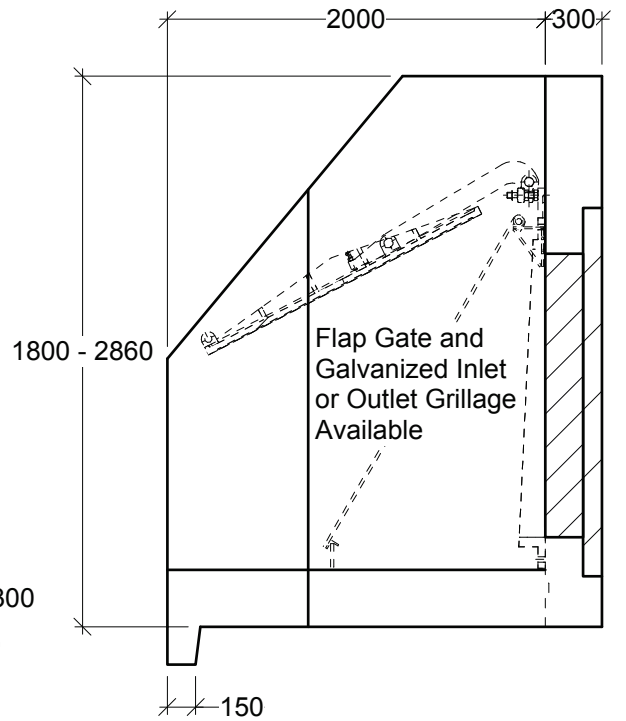
Dwg#: **HD16-20-ZZZZ-C**



Plan View



Front View



Section

General Notes:

- Product manufactured in accordance with CSA A23.4
- Custom Pipe Openings Available
- Lift Points Provided (See Shop Drawing for Quantity & Locations)
- Steel Products manufactured under CSA W47.1 in accordance to CSA W59
- Site Installation, Backfilling & Suitability for Use is the responsibility of others



19060 - 54th Avenue
Surrey, B.C. V3S 8E5

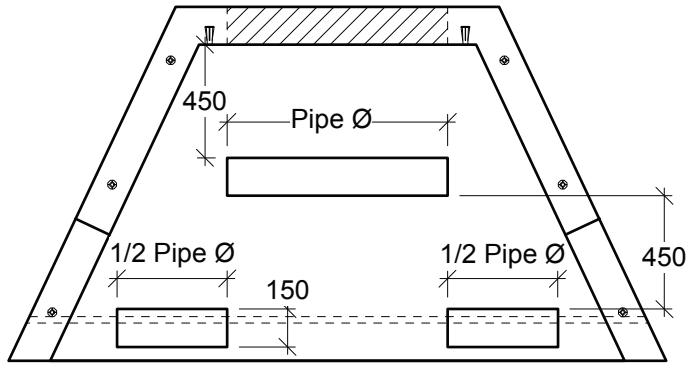
Tel (604) 576-1808
info@aeconcrete.com

35-29 Custom Headwall Inlet/Outlet
(Variable Backwall Width and Height)

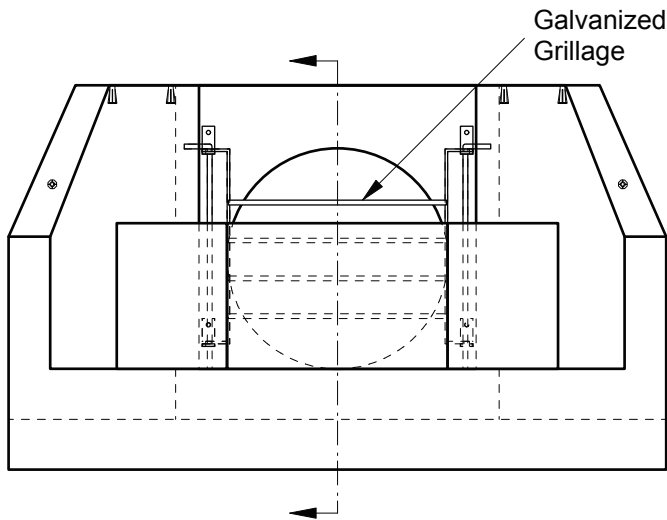
Scale: 1:40 mm

Rev: 22Jul14

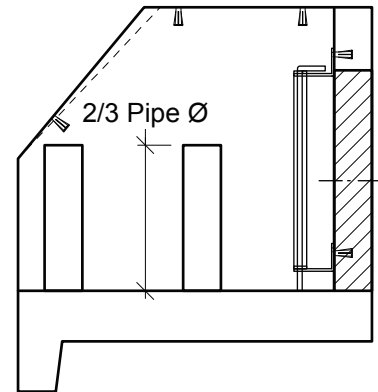
Dwg#: **HD35-20-2000-C**



Plan View



Front View



Section

General Notes:

- Product manufactured in accordance with CSA A23.4
- Custom Pipe Openings Available
- Lift Points Provided (See Shop Drawing for Quantity & Locations)
- Steel Products manufactured under CSA W47.1 in accordance to CSA W59
- Site Installation, Backfilling & Suitability for Use is the responsibility of others



19060 - 54th Avenue
Surrey, B.C. V3S 8E5

Tel (604) 576-1808
info@aeconcrete.com

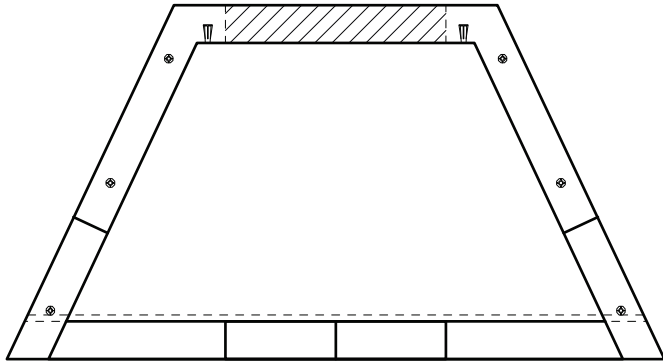
Custom Three Block Outfall Dissipator

(11-13, 14-15, 16-20)

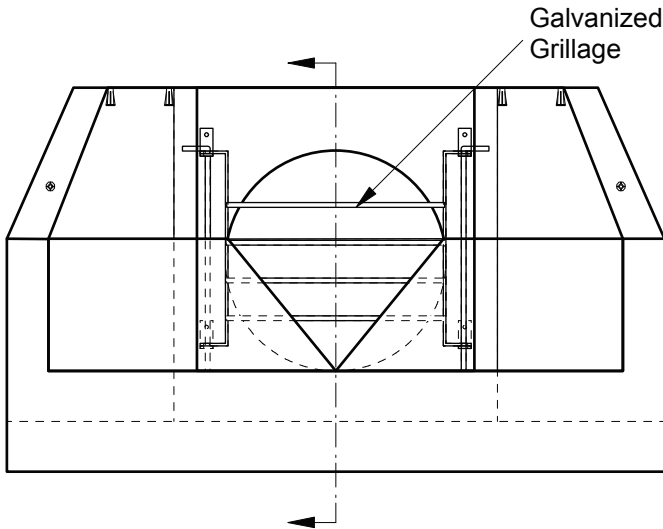
Scale: 1:30 mm

Rev: 28Jun08

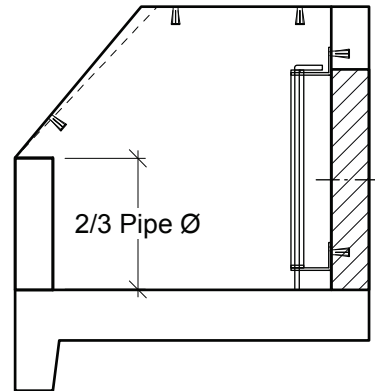
Dwg#: **HDOT-01-DISS-C**



Plan View



Front View



Section

General Notes:

- Product manufactured in accordance with CSA A23.4
- Custom Pipe Openings Available
- Lift Points Provided (See Shop Drawing for Quantity & Locations)
- Steel Products manufactured under CSA W47.1 in accordance to CSA W59
- Site Installation, Backfilling & Suitability for Use is the responsibility of others



19060 - 54th Avenue
Surrey, B.C. V3S 8E5

Tel (604) 576-1808
info@aeconcrete.com

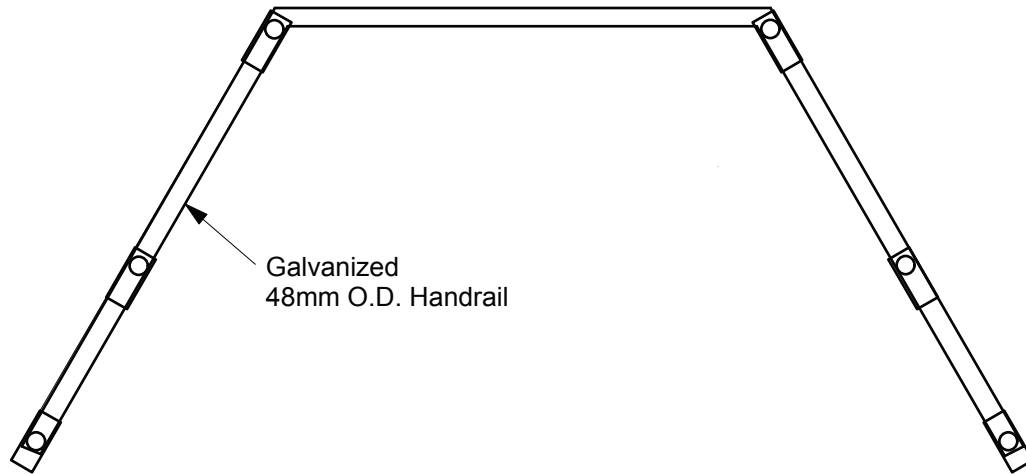
Custom V-Notch Weir Outfall Dissipator

(11-13, 14-15, 16-20)

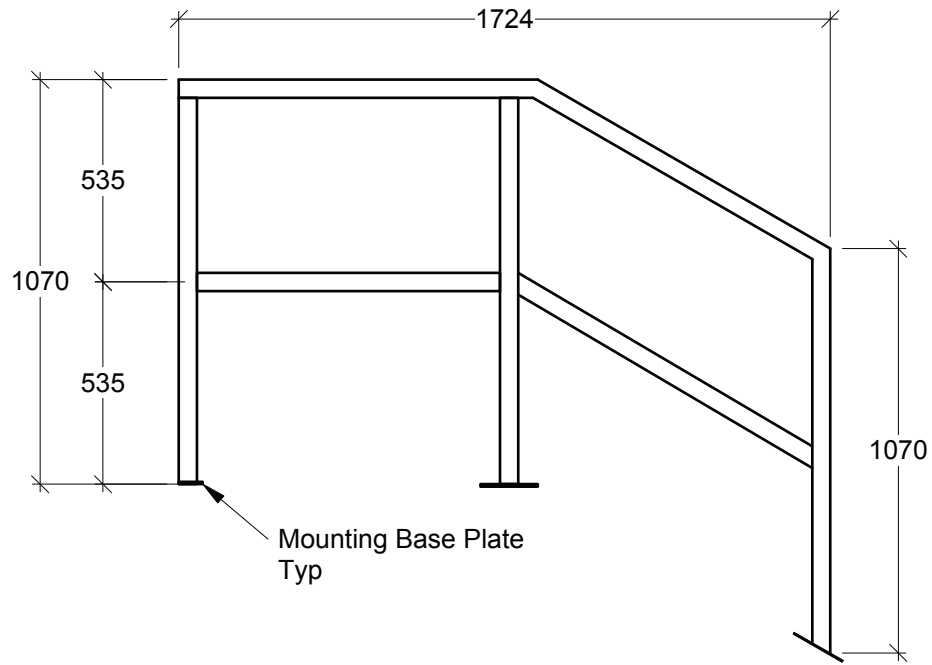
Scale: 1:30 mm

Rev: 28Jun08

Dwg#: **HDOT-02-DISS-C**



Plan View



Side View

General Notes:

- Steel Products manufactured under CSA W47.1 in accordance to CSA W59
- Site Installation is the responsibility of others



19060 - 54th Avenue
Surrey, B.C. V3S 8E5

Tel (604) 576-1808
info@aeconcrete.com

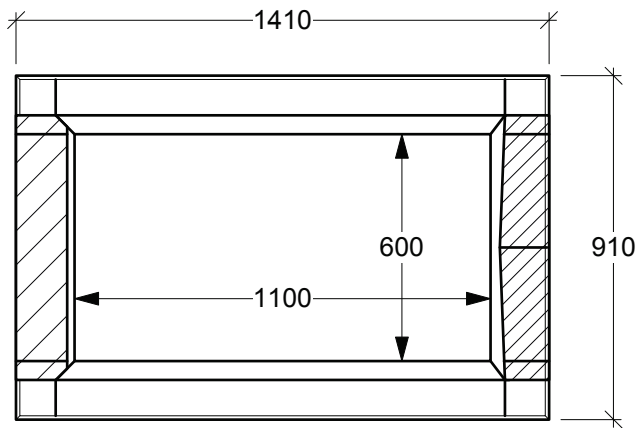
Headwall Handrail

(11-13, 14-15, 16-20)

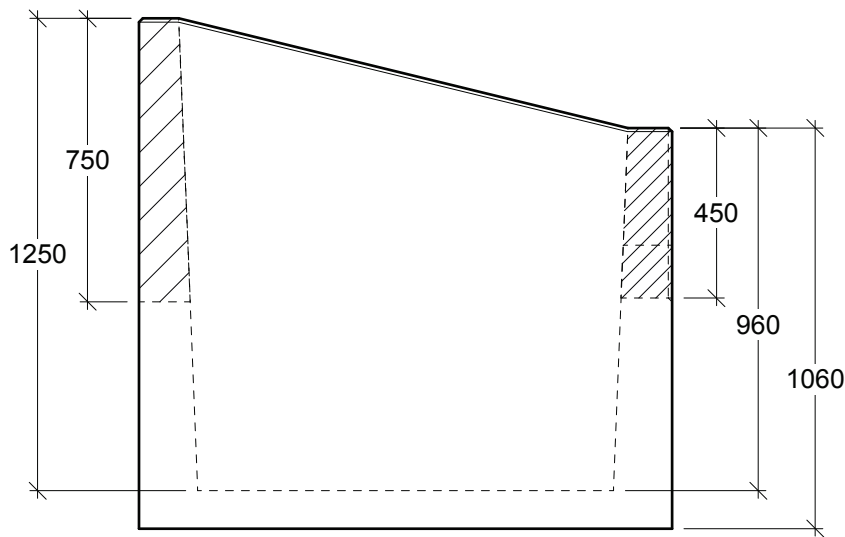
Scale: 1:20 mm

Rev: 12Jun13

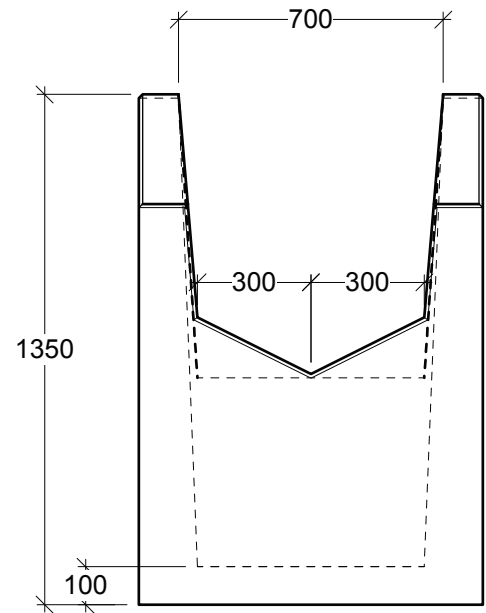
Dwg#: **HDZZ-GH-HAND-C**



Plan View



Side View



End View

General Notes:

- Product manufactured in accordance with CSA A23.4
- Lift Points Provided (See Shop Drawing for Quantity & Locations)
- Site Installation, Backfilling & Suitability for Use is the responsibility of others



19060 - 54th Avenue
Surrey, B.C. V3S 8E5

Tel (604) 576-1808
info@aeconcrete.com

Fish Ladder

Sump: 2,950 lbs / 1,340 kgs

Scale: 1:20 mm

Rev: 21Jul14

Dwg#: **HD00-ZZ-FISH-C**