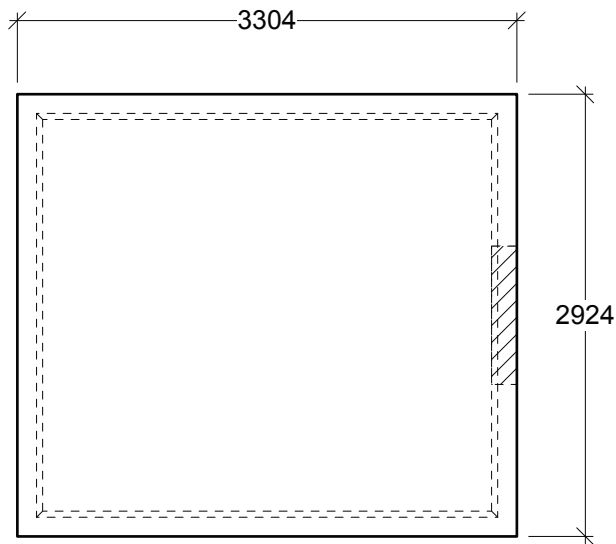
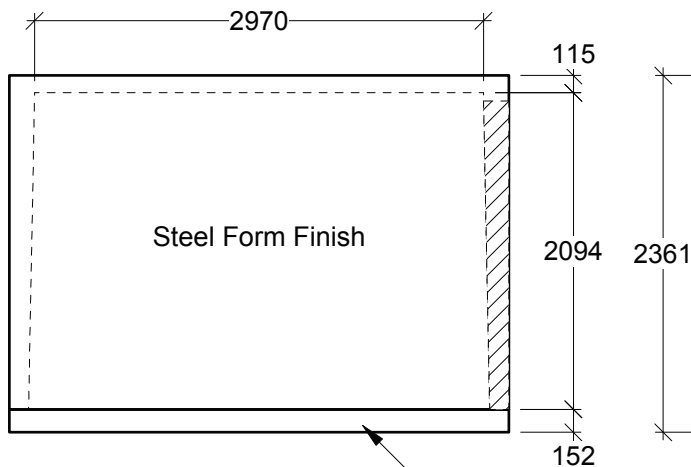


Utility Building Listings

<u>Drawing Number</u>	<u>Item Description</u>	<u>Product Size</u> (Length X Width X Depth in mm)
3262QS-20-ZZZZ-C	3262QS Vault Building	2970 x 2590 x 2094 i.d.
4323QS-20-ZZZZ-C	4323QS Panel Building	3856 x 3248 x 3038 i.d.
5323QS-20-ZZZZ-C	5323QS Panel Building	5076 x 3248 x 3048 i.d.
9333-20-ZZZZ-C	903330 Precast Modular Shelter/Building	9924 x 8941 x 3048 i.d.

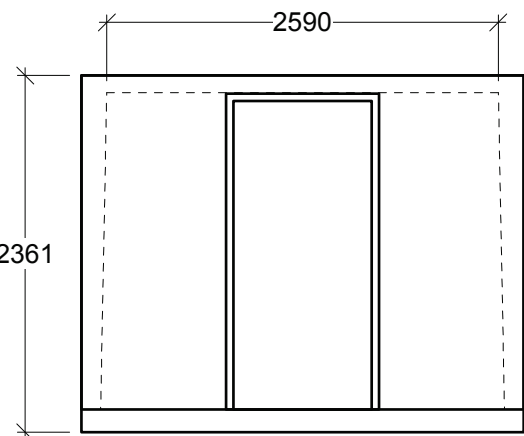


Plan View



Side View

Armoured
Bottom Perimeter



End View

General Notes:

- Product manufactured in accordance with CSA A23.4
- Lift Points Provided (See Shop Drawing for Quantity & Locations)
- Site Installation & Suitability for Use is the responsibility of others

- Roof Coverings and Eaves Trough Available.
- Standard Simulated Wood Finish or a Variety of Other Exterior Finishes Available.
- Clear Acrylic Sealer - Exterior.
- Multiple K/O (Window and Door) Locations Available. (TBC)
- Optional Interior Finishes Available.
- Custom Heights Available.



19060 - 54th Avenue
Surrey, B.C. V3S 8E5

Tel (604) 576-1808
info@aeconcrete.com

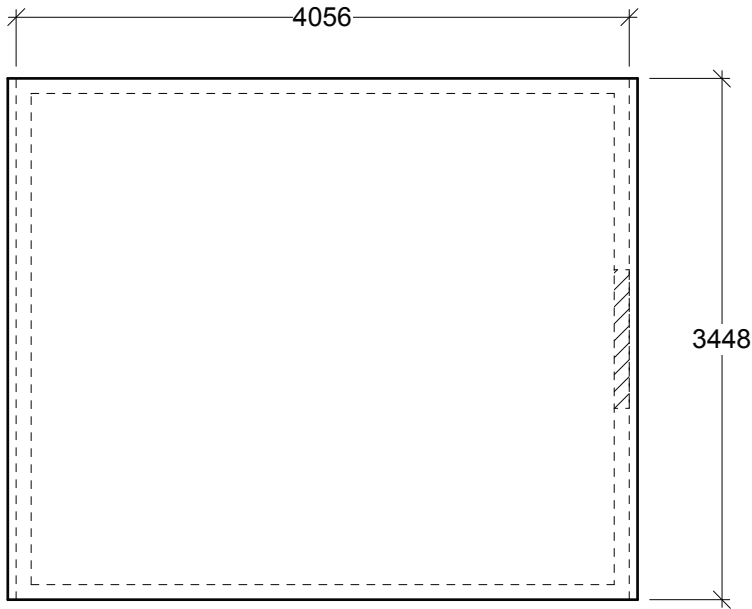
3262QS Vault Building

Vault: 34,700 lbs / 15,740 kgs

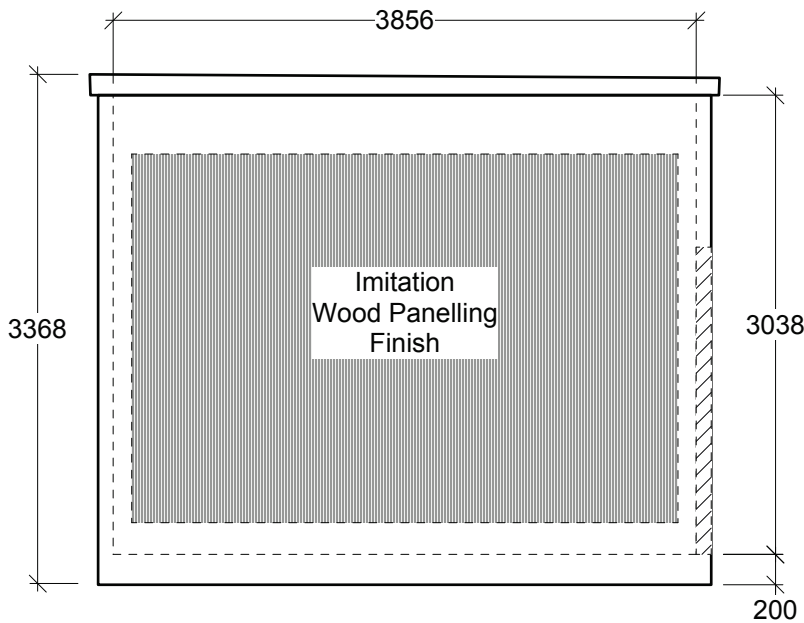
Scale: 1:50 mm

Rev: 22Dec08

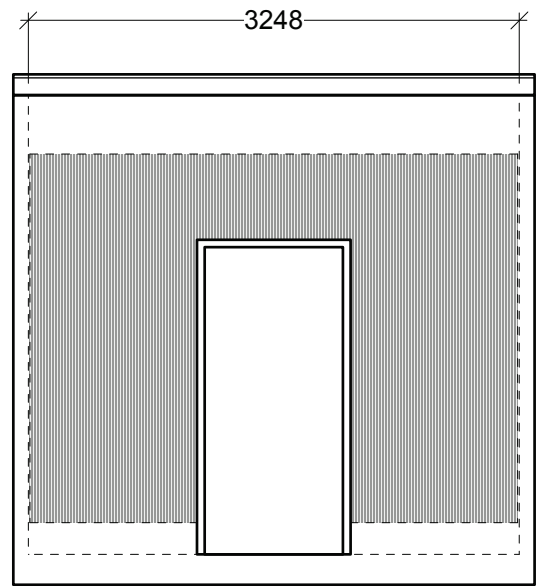
Dwg#: **3262QS-20-ZZZZ-C**



Plan View



Front View



End View

General Notes:

- Product manufactured in accordance with CSA A23.4
- Lift Points Provided (See Shop Drawing for Quantity & Locations)
- Site Installation & Suitability for Use is the responsibility of others

- Roof Coverings and Eaves Trough Available.
- Standard Simulated Wood Finish or a Variety of Other Exterior Finishes Available.
- Clear Acrylic Sealer - Exterior.
- Multiple K/O (Window and Door) Locations Available. (TBC)
- Optional Interior Finishes Available.
- Custom Heights Available.



19060 - 54th Avenue
Surrey, B.C. V3S 8E5

Tel (604) 576-1808
info@aeconcrete.com

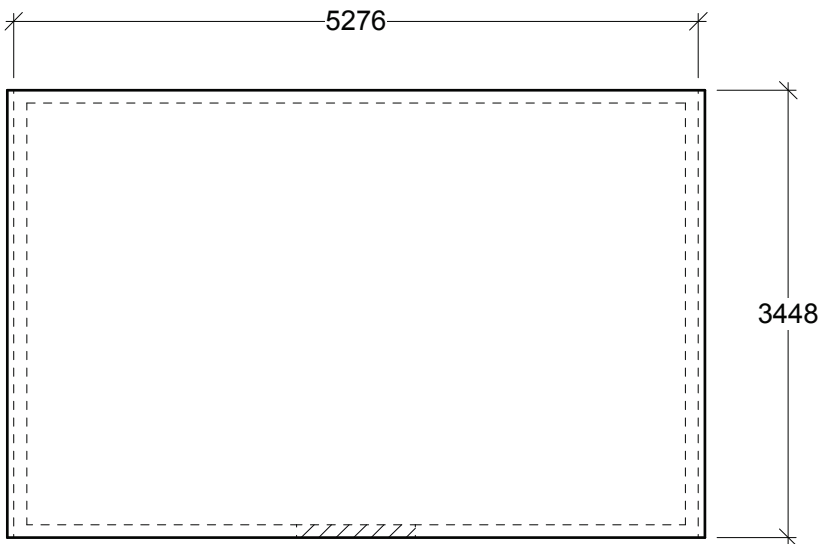
4323QS Panel Building

Chamber: 45,340 lbs / 20,570 kgs

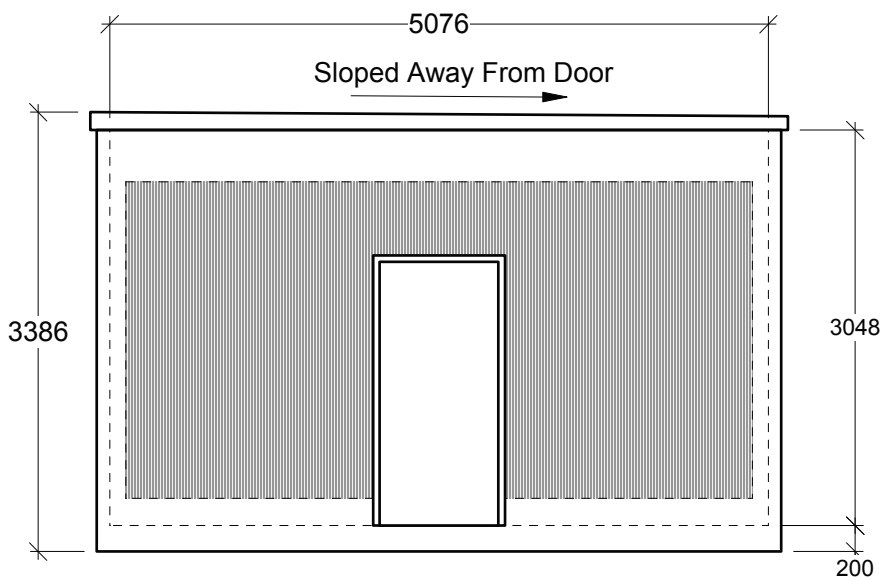
Scale: 1:50 mm

Rev: 22Dec08

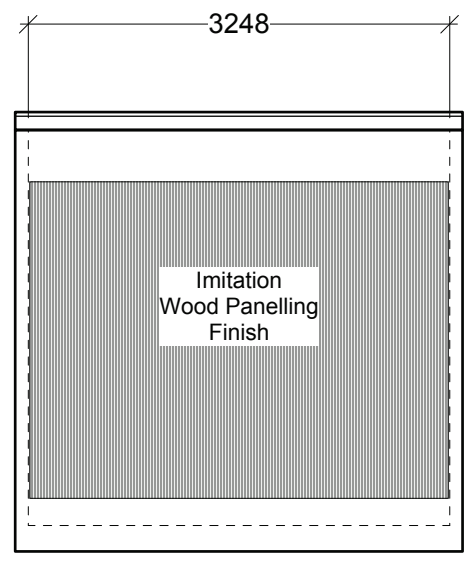
Dwg#: **4323QS-20-ZZZZ-C**



Plan View



Side View



End View

General Notes:

- Product manufactured in accordance with CSA A23.4
- Lift Points Provided (See Shop Drawing for Quantity & Locations)
- Site Installation & Suitability for Use is the responsibility of others

- Roof Coverings and Eaves Trough Available.
- Standard Simulated Wood Finish or a Variety of Other Exterior Finishes Available.
- Clear Acrylic Sealer - Exterior.
- Multiple K/O (Window and Door) Locations Available. (TBC)
- Optional Interior Finishes Available.
- Custom Heights Available.



19060 - 54th Avenue
Surrey, B.C. V3S 8E5

Tel (604) 576-1808
info@aeconcrete.com

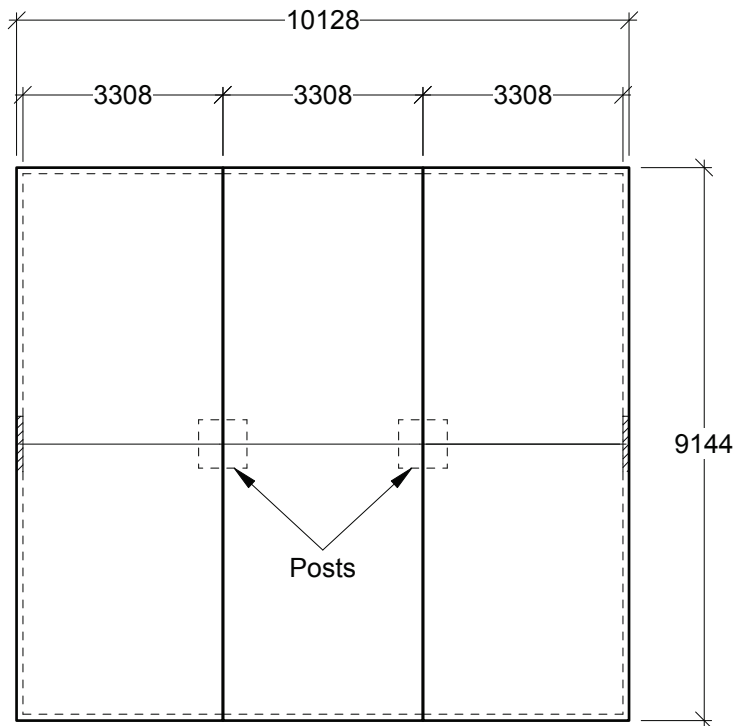
5323QS Panel Building

Chamber: 49,100 lbs / 22,280 kgs

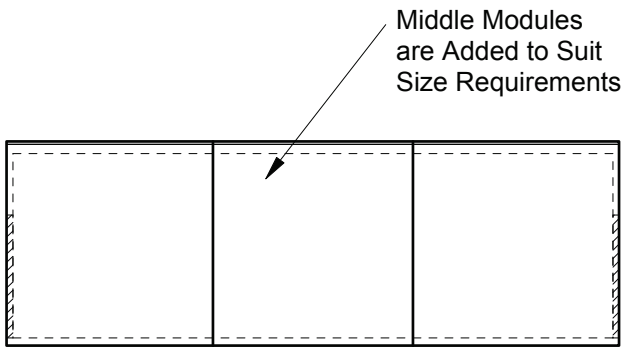
Scale: 1:60 mm

Rev: 22Dec08

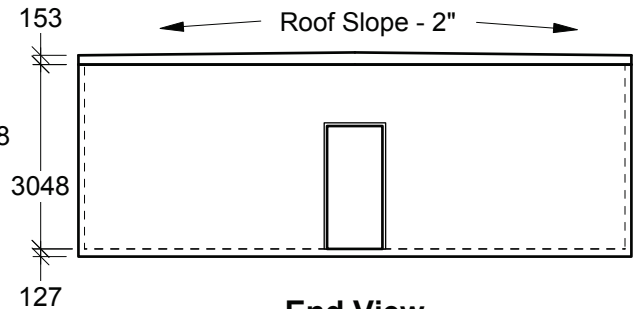
Dwg#: **5323QS-20-ZZZZ-C**



Plan View



Side View



End View

General Notes:

- Product manufactured in accordance with CSA A23.4
- Lift Points Provided (See Shop Drawing for Quantity & Locations)
- Site Installation & Suitability for Use is the responsibility of others

- Roof Coverings and Eaves Trough Available.
- Standard Simulated Wood Finish or a Variety of Other Exterior Finishes Available.
- Clear Acrylic Sealer - Exterior.
- Multiple K/O (Window and Door) Locations Available. (TBC)
- Optional Interior Finishes Available.
- Custom Heights Available.



19060 - 54th Avenue
Surrey, B.C. V3S 8E5

Tel (604) 576-1808
info@aeconcrete.com

903330 Precast Modular Shelter / Building

End Module: 31,000 lbs / 70,000 kgs
Mid Module: 25,000 lbs / 55,000 kgs

Scale: 1:125 mm

Rev: 22Dec08

Dwg#: **9333-20-ZZZZ-C**