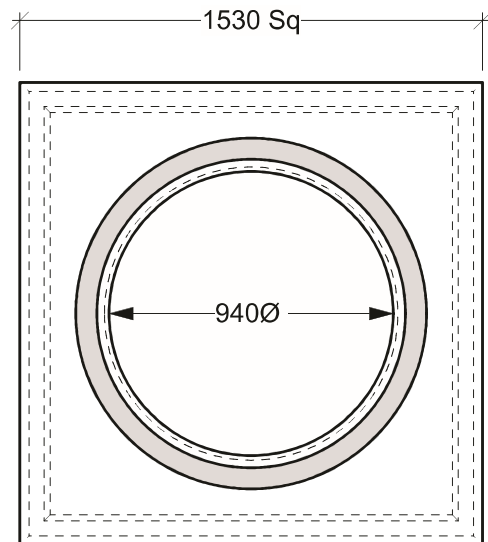
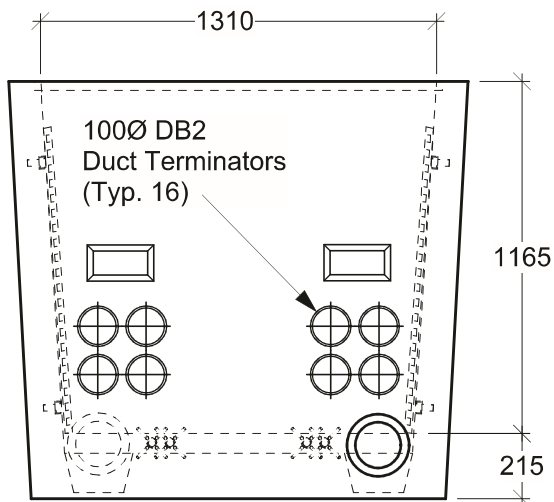


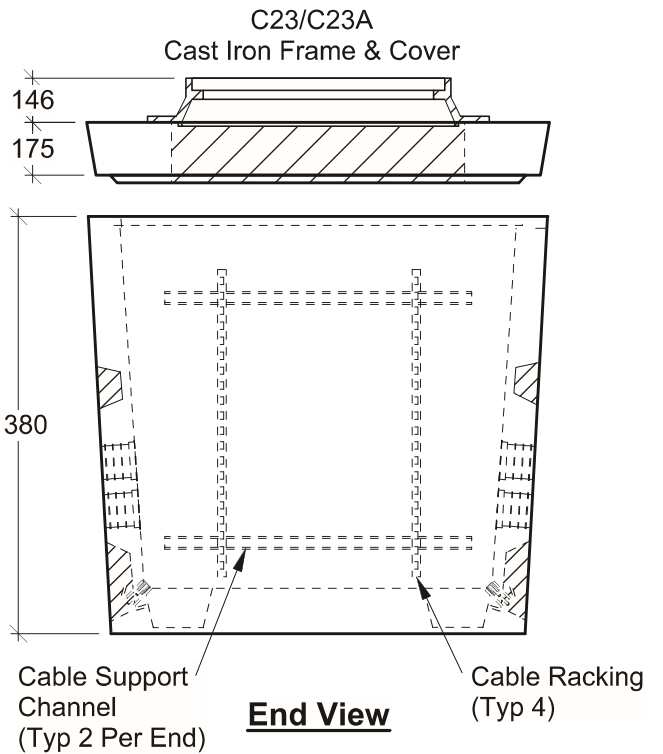
Plan View - Vault



Plan View - Roof Slab
(Roadway use - H-20 Traffic Rated)



Side View



General Notes:

- Lifting loops cast in.
- Cement to CAN / CSA A5-93 Portland Cement.
- Reinforcing Steel to CSA G-30.18-M92 Grade 400.
- Site installation and backfilling are the responsibility of others.
- Minimum concrete strength 30 MPa @ 28 Days.



19060 - 54th Avenue
Surrey, B.C. V3S 8E5

Tel (604) 576-1808
info@aeconcrete.com

1.5m Comm Vault & MH Roof Slab - Duct Terminators

Vault: 5,660 lbs / 2,750 kgs
Roof Slab: 1,650 lbs / 750 kgs

Scale: 1:25 mm

Rev: 28Jun08

Dwg#: **SVTZ-NH-1500-C**