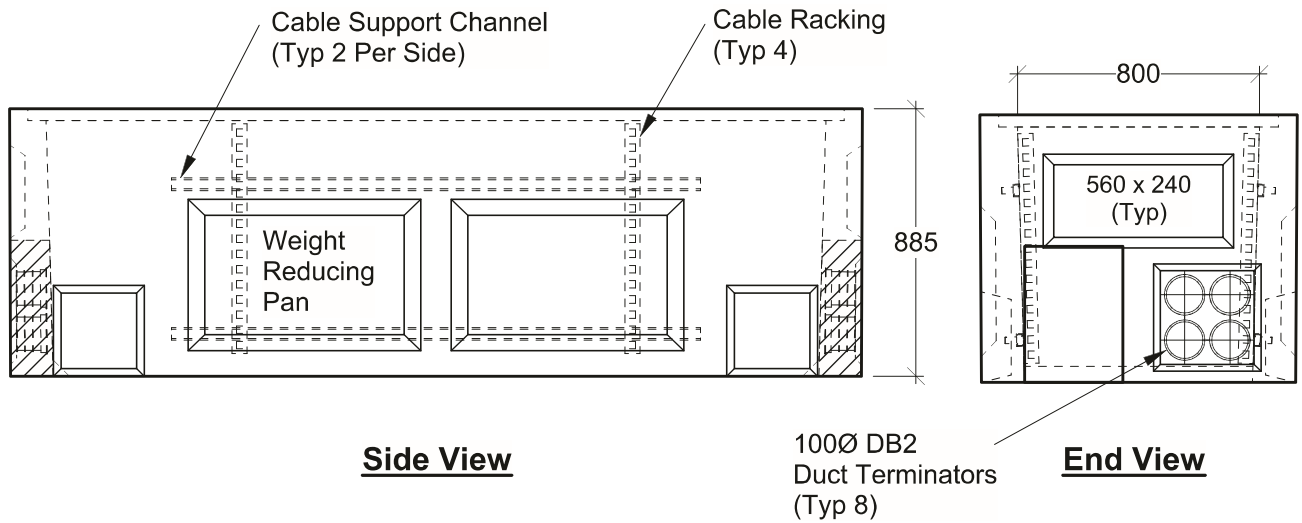


Plan View



Side View

End View

100Ø DB2
Duct Terminators
(Typ 8)

General Notes:

- Product manufactured in accordance with CSA A23.4
- Lift Points Provided (See Shop Drawing for Quantity & Locations)
- Designed for Roadway Use - H-20 Traffic Loading
- Site Installation, Backfilling & Suitability for Use is the responsibility of others



19060 - 54th Avenue
Surrey, B.C. V3S 8E5

Tel (604) 576-1808
info@aeconcrete.com

832 Comm Vault - Bottomless

Vault: 4,000 lbs / 1,815 kgs

Scale: 1:25 mm

Rev: 28Jun08

Dwg#: **SVTZ-2A-0832-C**