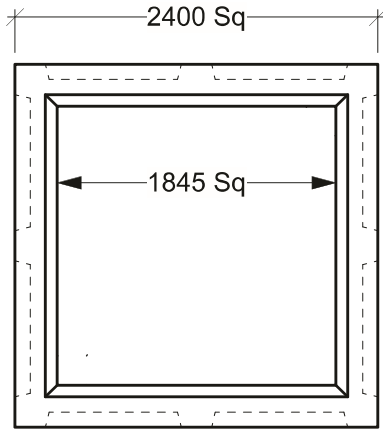
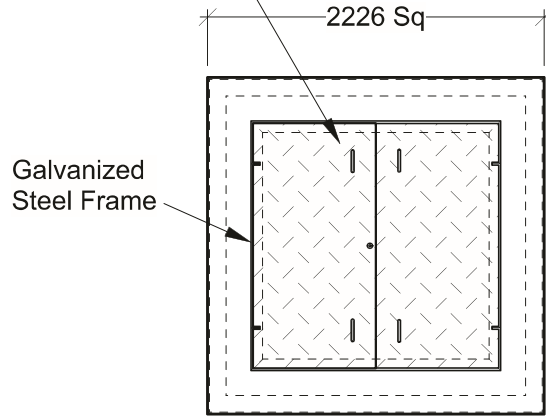


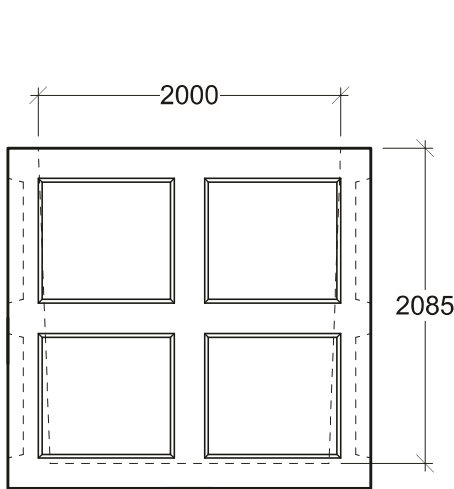
Painted Black, Boltdown, Steel Checker Plate Lids  
**Options:** Galvanizing, Padlock Recess  
 Remote Reader Holes  
 Weld Marking e.g. "ELEC"



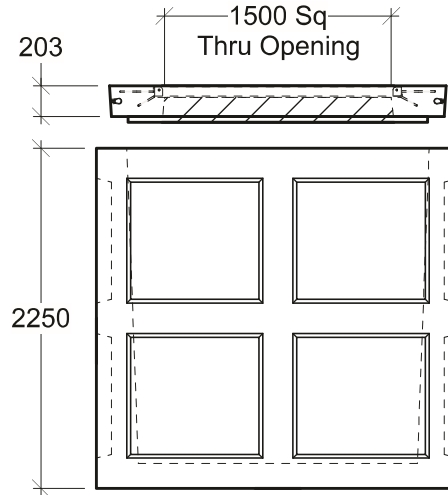
**Plan View - Chamber**



**Plan View - Collar**



**Side View**



**End View**

**General Notes:**

- Product manufactured in accordance with CSA A23.4
- Lift Points Provided (See Shop Drawing for Quantity & Locations)
- Designed for Boulevard (Off-Road) Use - H-20 Static Loading
- Design and Provision of Thrust Blocks is the responsibility of others
- Site Installation, Backfilling & Suitability for Use is the responsibility of others



19060 - 54th Avenue  
 Surrey, B.C. V3S 8E5

Tel (604) 576-1808  
 info@aeconcrete.com

**2221 Chamber & Collar**

Chamber: 22,990 lbs / 10,430 kgs  
 Collar: 3,390 lbs / 1,540 kgs

Scale: 1:50mm

Rev: 28Jun08

Dwg#: **VC22-N9-2221-C**