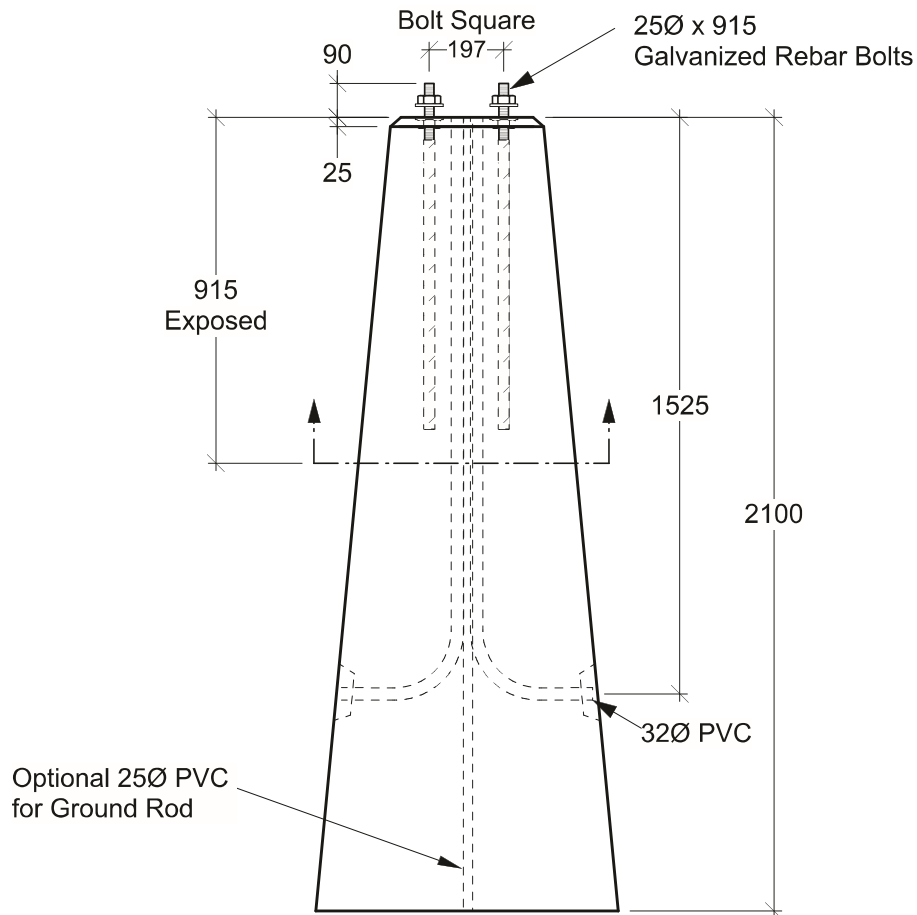


Plan View



Side View

General Notes:

- Product manufactured in accordance with CSA A23.4
- Lift Points Provided (See Shop Drawing for Quantity & Locations)
- Site Installation, Backfilling, Suitability for Use and Engineering Design Approval is the responsibility of others

Customizations Available:

- Bolt Size & Type
- Bolt Square (247 max)
- BCD (350 max)
- Duct Size
- Duct Quantity
- Duct Orientation
- Reinforcing



19060 - 54th Avenue
Surrey, B.C. V3S 8E5

Tel (604) 576-1808
info@aeconcrete.com

2100 Pyramid Parking Lot Base

Base: 4,370 lbs / 1,990 kgs

Scale: 1:20 mm

Rev: 22Jul13

Dwg#: **SP21-25-R197-3Z2Z-C**