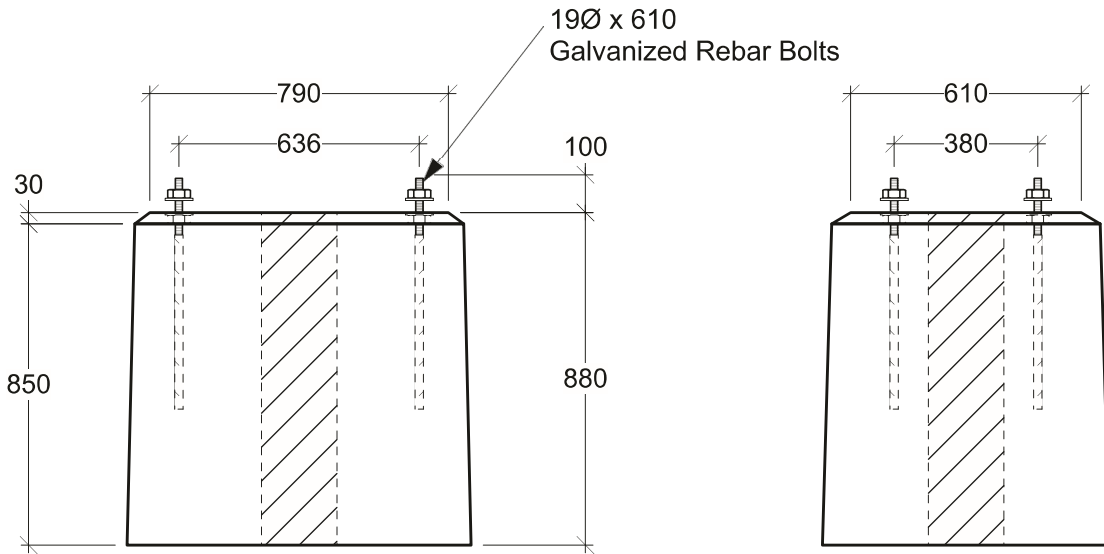


Plan View



Side View

End View

General Notes:

- Product manufactured in accordance with CSA A23.4
- Lift Points Provided (See Shop Drawing for Quantity & Locations)
- Site Installation, Backfilling, Suitability for Use and Engineering Design Approval is the responsibility of others



19060 - 54th Avenue
Surrey, B.C. V3S 8E5

Tel (604) 576-1808
info@aeconcrete.com

Surrey Controller Base

Base: 3,000 lbs / 1,370 kgs

Scale: 1:20 mm

Rev: 28Jun08

Dwg#: **SLSU-33-0900-C**