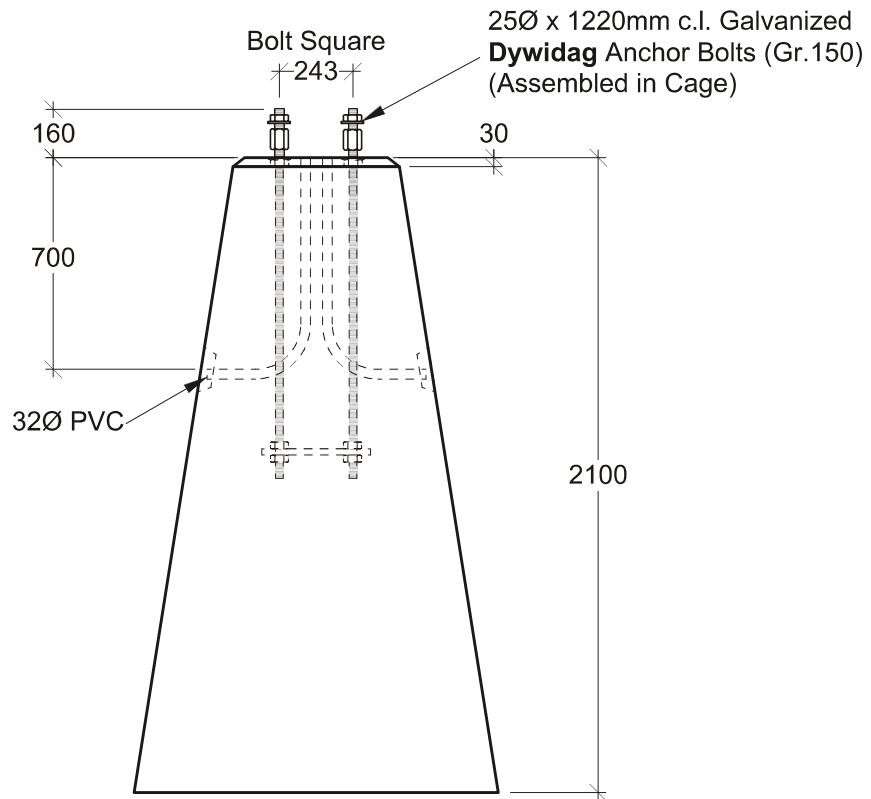


Plan View



Elevation

Customizations Available:

- Bolt Size & Type
- Bolt Square (354 max)
- BCD (500 max)
- Duct Size
- Duct Quantity
- Duct Orientation
- Reinforcing

General Notes:

- Product manufactured in accordance with CSA A23.4
- Lift Points Provided (See Shop Drawing for Quantity & Locations)
- Site Installation, Backfilling, Suitability for Use and Engineering Design Approval is the responsibility of others



19060 - 54th Avenue
Surrey, B.C. V3S 8E5

Tel (604) 576-1808
info@aeconcrete.com

MoT & MMCD Type F2 & S2 Pyramid Bases

(MoTH Dwg# SP635-1.1.14, MMCD Dwg# CE1.13)

Base: 9,740 lbs / 4,420 kgs

Scale: 1:25 mm

Rev: 22Jul13

Dwg#: **SPSF-25-D243-3ZZZ-C**