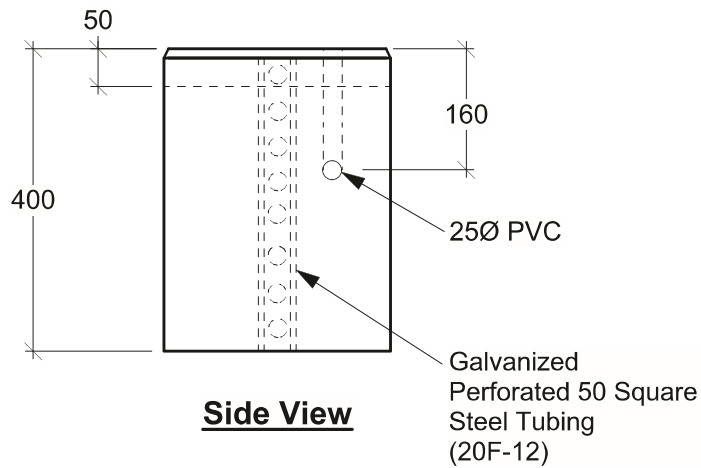


**Plan View**



**Side View**

**General Notes:**

- Product manufactured in accordance with CSA A23.4
- Lift Points Provided (See Shop Drawing for Quantity & Locations)
- Site Installation, Backfilling, Suitability for Use and Engineering Design Approval is the responsibility of others



19060 - 54th Avenue  
Surrey, B.C. V3S 8E5

Tel (604) 576-1808  
info@aeconcrete.com

**MoT & MMCD Post Mounted Flasher Base**

(MoTH Dwg# SP635-1.1.37, MMCD Dwg# E1.18)

Base: 160 lbs / 80 kgs

Scale: 1:10 mm

Rev: 28Jun13

Dwg#: **SLFL-30-0400-C**