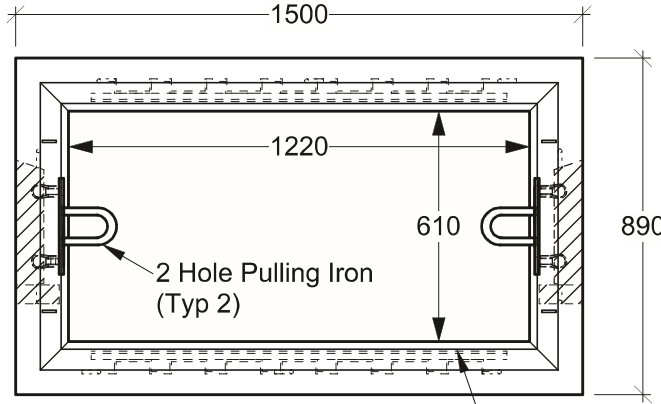
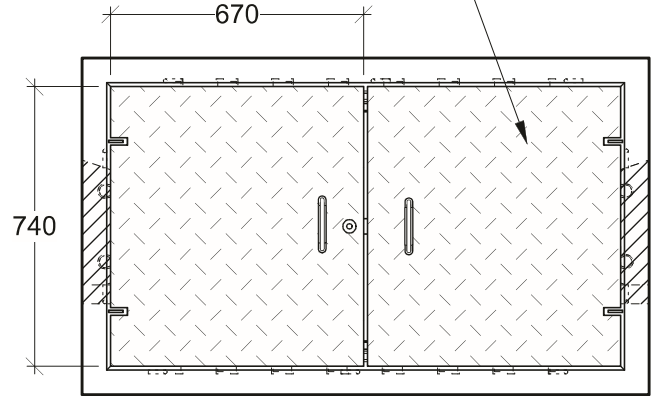


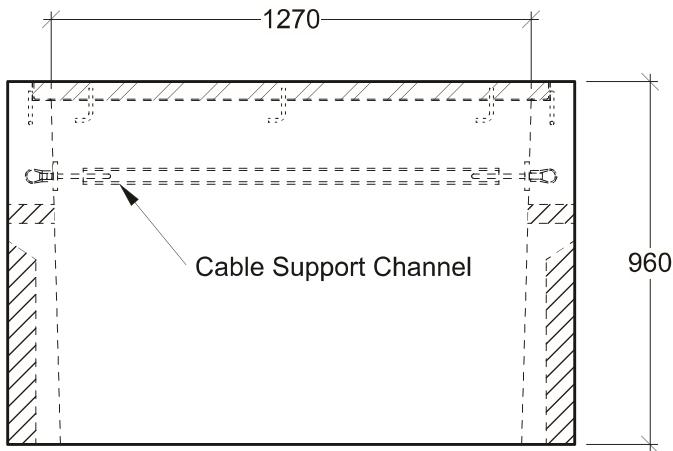
Painted Black, Boltdown, Steel Checker Plate Lids
Options: Galvanizing, Padlock Recess
 Remote Reader Holes
 Weld Marking e.g. "ELEC"



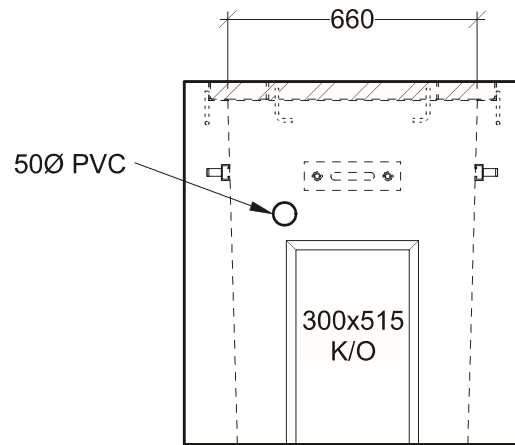
Plan View - Vault



Plan View - Vault w/ Covers



Side View



End View

General Notes:

- Product manufactured in accordance with CSA A23.4
- Lift Points Provided (See Shop Drawing for Quantity & Locations)
- Designed for Boulevard (Off-Road) Use - H-20 Static Loading
- Site Installation, Backfilling, Suitability for Use and Engineering Design Approval is the responsibility of others



19060 - 54th Avenue
 Surrey, B.C. V3S 8E5

Tel (604) 576-1808
 info@aeconcrete.com

243 MMCD Vault w/ Lid Assembly (Bottomless)

(2009 MMCD Dwg.# E2.5)

Vault: 2,780 lbs / 1,270 kgs
 Cover: 370 lbs / 170 kgs

Scale: 1:20 mm

Rev: 22Jul13

Dwg#: **SVVZ-2A-0243-C**