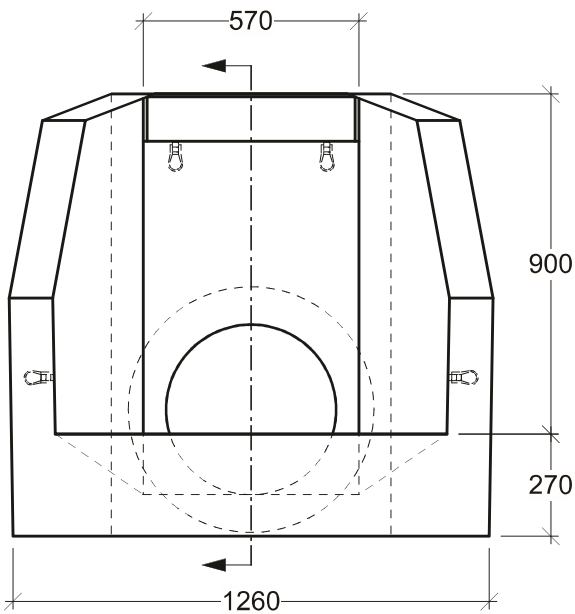
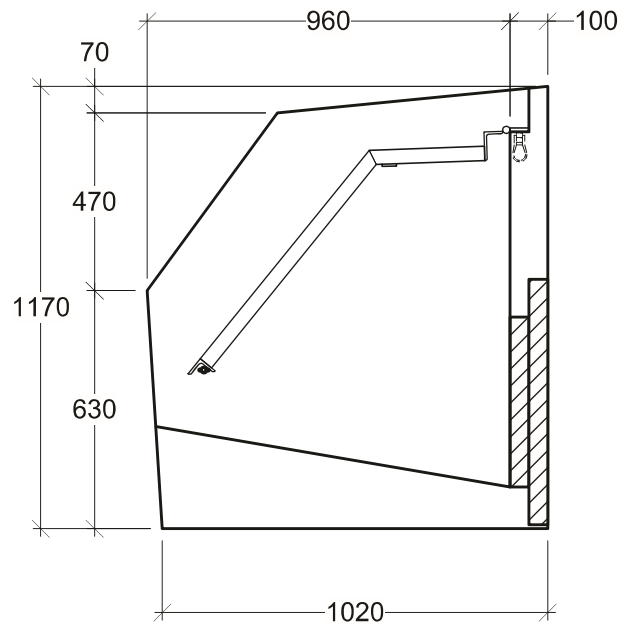


Plan View



Front View



Section

General Notes:

- Product manufactured in accordance with CSA A23.4
- Custom Pipe Openings Available
- Lift Points Provided (See Shop Drawing for Quantity & Locations)
- Steel Products manufactured under CSA W47.1 in accordance to CSA W59
- Site Installation, Backfilling & Suitability for Use is the responsibility of others



19060 - 54th Avenue
Surrey, B.C. V3S 8E5

Tel (604) 576-1808
info@aeconcrete.com

Type 2 Inlet
(For up to 450mmØ RCP)

Headwall: 2,240 lbs / 1,020 kgs

Scale: 1:20 mm

Rev: 28Jun08

Dwg#: **HD02-21-ZZZZ-C**